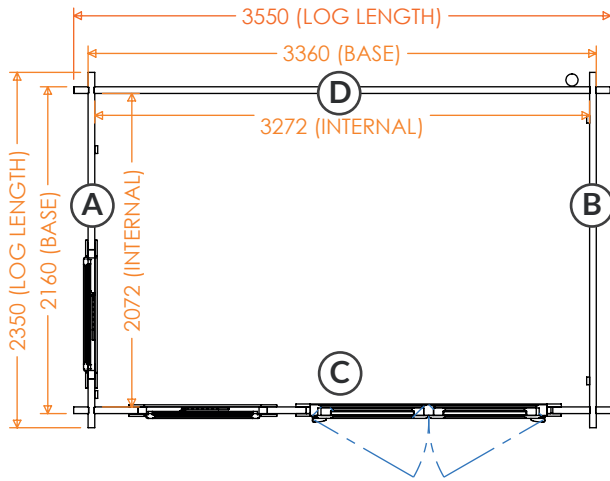




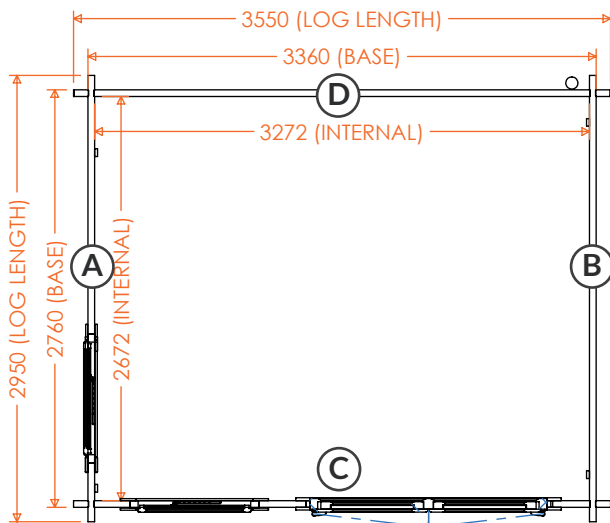
tiger[®]

Onyx | 44mm Log Cabin Floorplans



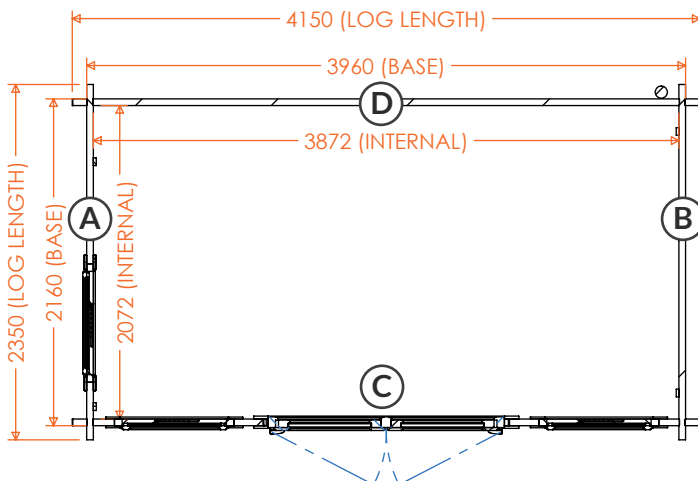
**12x8w Onyx 44mm
190225JW01**

RIDGE HEIGHT: 2474mm
EAVES HEIGHT: 2214mm
GROSS BASE SIZE: 3660 x 2160mm
GROSS SIZE INC ROOF: 3750mm x 2550mm



**12x10w Onyx 44mm
190225JW02**

RIDGE HEIGHT: 2474mm
EAVES HEIGHT: 2214mm
GROSS BASE SIZE: 3660 x 2760mm
GROSS SIZE INC ROOF: 3750mm x 3150mm



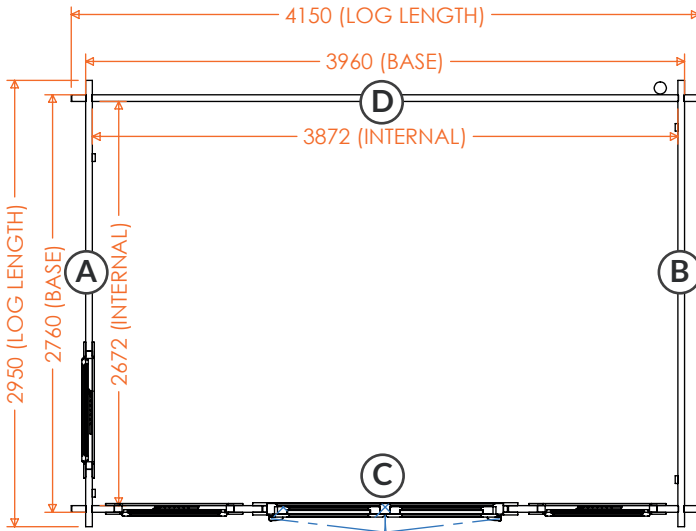
**14x8w Onyx 44mm
190225JW03**

RIDGE HEIGHT: 2474mm
EAVES HEIGHT: 2214mm
GROSS BASE SIZE: 3960 x 2160mm
GROSS SIZE INC ROOF: 4350mm x 2550mm



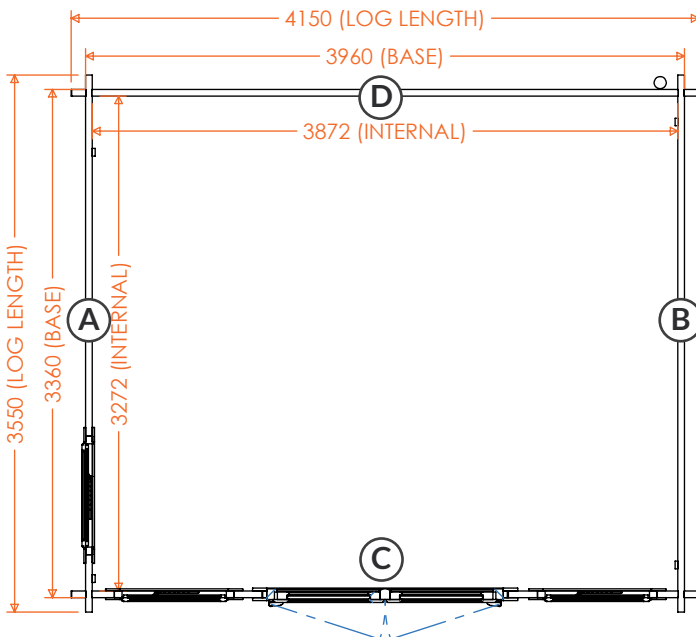
tiger[®]

Onyx | 44mm Log Cabin Floorplans



14x10w Onyx 44mm
190225JW04

RIDGE HEIGHT: 2474mm
EAVES HEIGHT: 2214mm
GROSS BASE SIZE: 3960 x 2760mm
GROSS SIZE INC ROOF: 4350mm x 3150mm



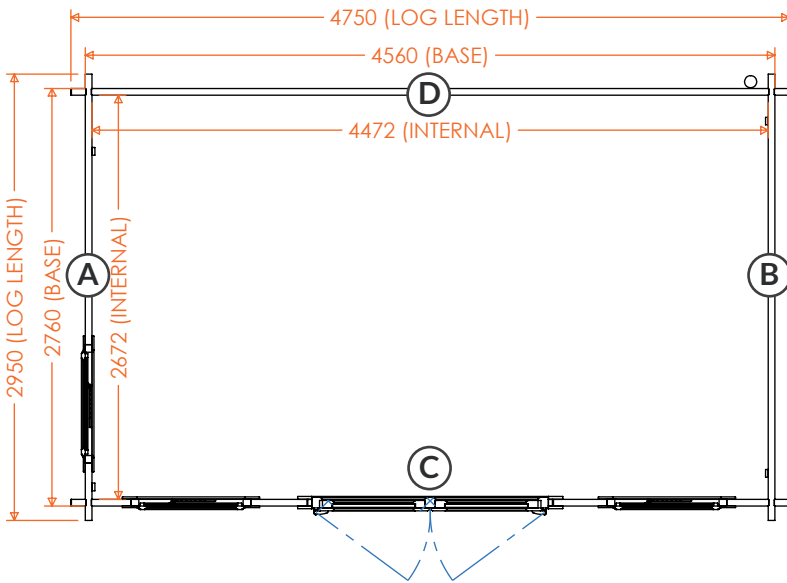
14x12w Onyx 44mm
190225JW05

RIDGE HEIGHT: 2474mm
EAVES HEIGHT: 2214mm
GROSS BASE SIZE: 3960 x 3360mm
GROSS SIZE INC ROOF: 4350mm x 3750mm



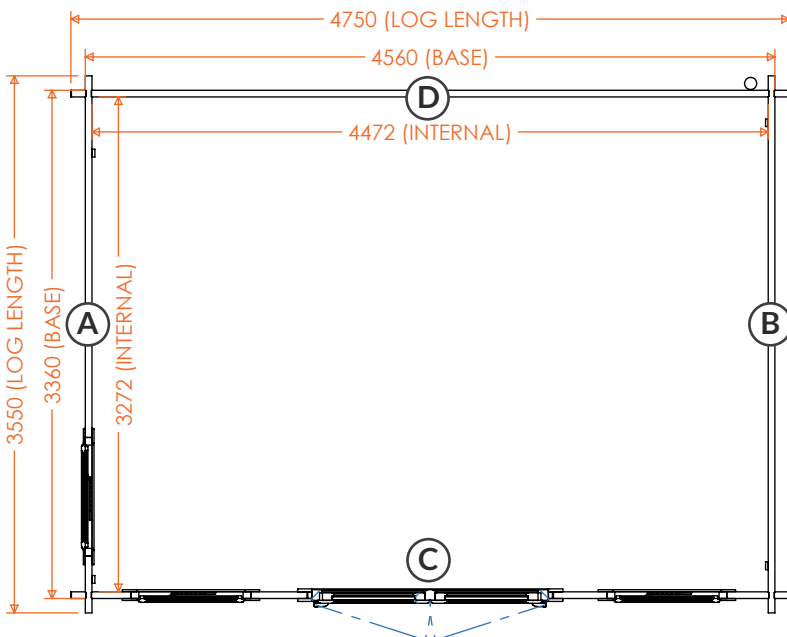
tiger[®]

Onyx | 44mm Log Cabin Floorplans



16x10w Onyx 44mm
190225JW06

RIDGE HEIGHT: 2474mm
EAVES HEIGHT: 2214mm
GROSS BASE SIZE: 4560 x 2760mm
GROSS SIZE INC ROOF: 4950mm x 3150mm



16x12w Onyx 44mm
190225JW07

RIDGE HEIGHT: 2474mm
EAVES HEIGHT: 2214mm
GROSS BASE SIZE: 4560 x 3660mm
GROSS SIZE INC ROOF: 4950mm x 3750mm