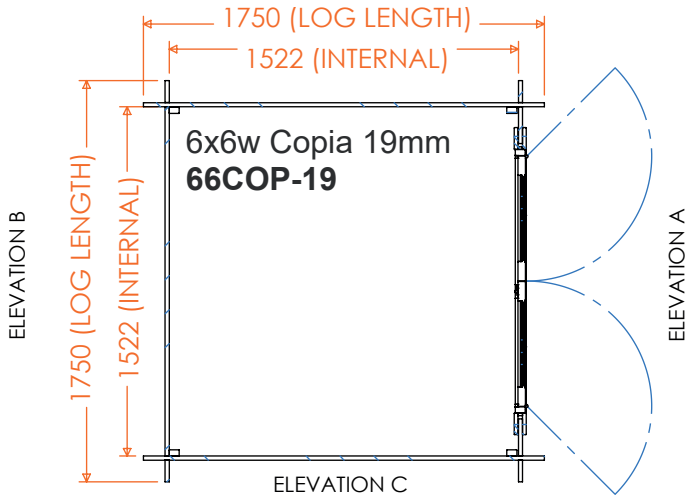




tiger[®]

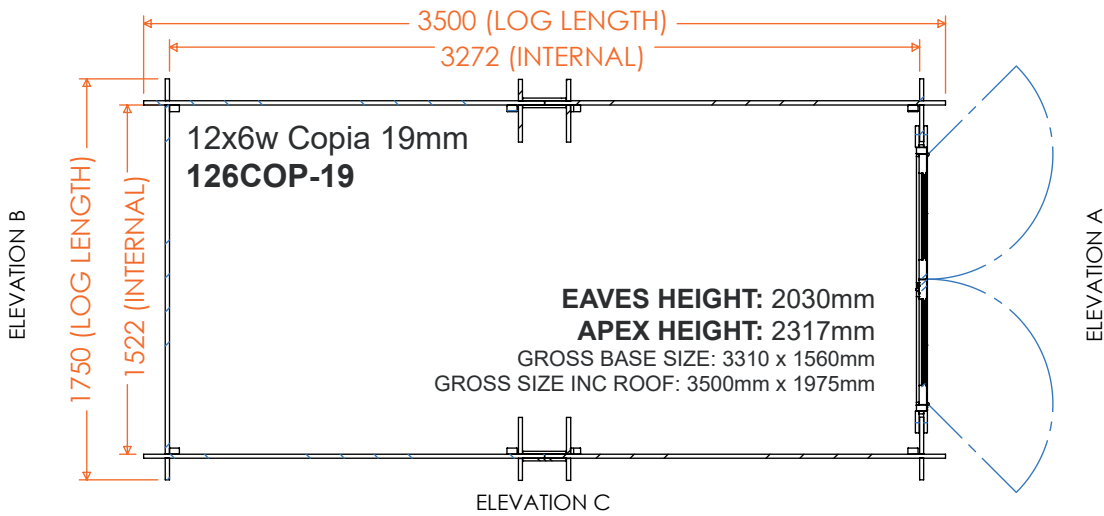
Copia | 19mm Log Cabin Floorplans

ELEVATION D



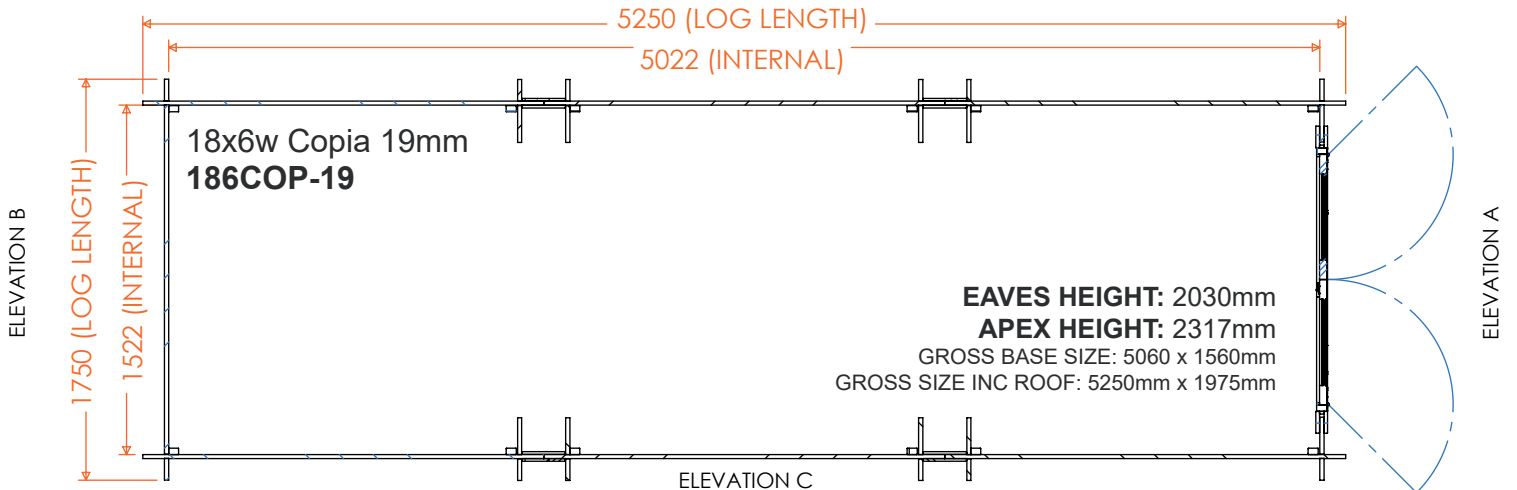
EAVES HEIGHT: 2030mm
APEX HEIGHT: 2317mm
GROSS BASE SIZE: 1560 x 1560mm
GROSS SIZE INC ROOF: 1750mm x 1975mm

ELEVATION D



EAVES HEIGHT: 2030mm
APEX HEIGHT: 2317mm
GROSS BASE SIZE: 3310 x 1560mm
GROSS SIZE INC ROOF: 3500mm x 1975mm

ELEVATION D



EAVES HEIGHT: 2030mm
APEX HEIGHT: 2317mm
GROSS BASE SIZE: 5060 x 1560mm
GROSS SIZE INC ROOF: 5250mm x 1975mm