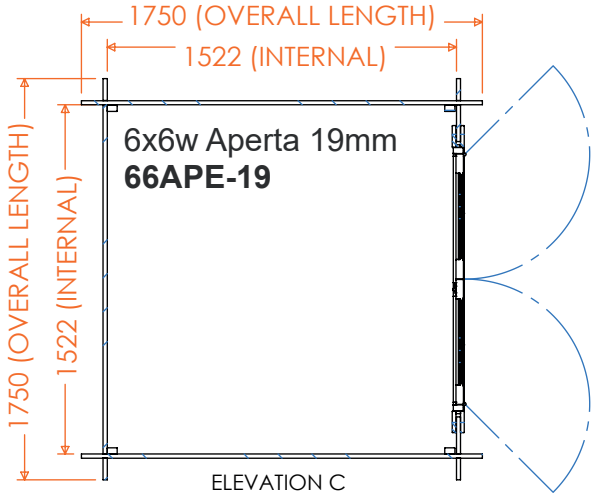




tiger[®]

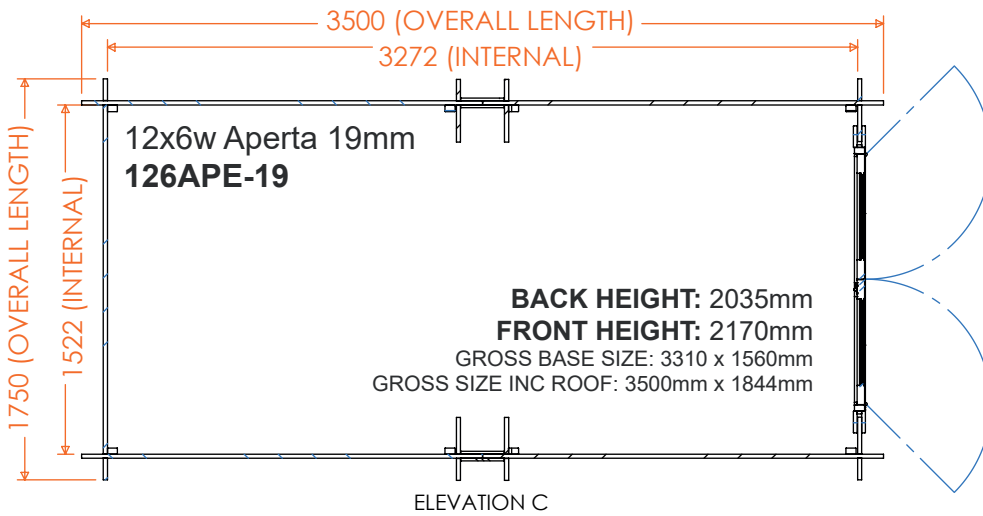
Aperta | 19mm Log Cabin Floorplans

ELEVATION D



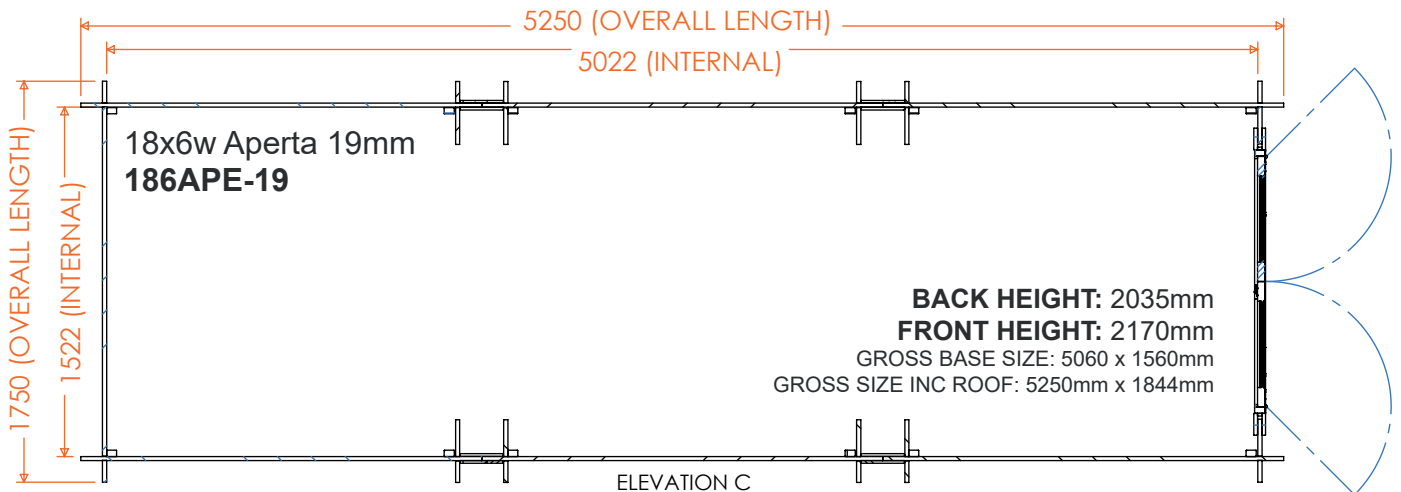
BACK HEIGHT: 2035mm
FRONT HEIGHT: 2170mm
GROSS BASE SIZE: 1560 x 1560mm
GROSS SIZE INC ROOF: 1750mm x 1844mm

ELEVATION D



BACK HEIGHT: 2035mm
FRONT HEIGHT: 2170mm
GROSS BASE SIZE: 3310 x 1560mm
GROSS SIZE INC ROOF: 3500mm x 1844mm

ELEVATION D



BACK HEIGHT: 2035mm
FRONT HEIGHT: 2170mm
GROSS BASE SIZE: 5060 x 1560mm
GROSS SIZE INC ROOF: 5250mm x 1844mm