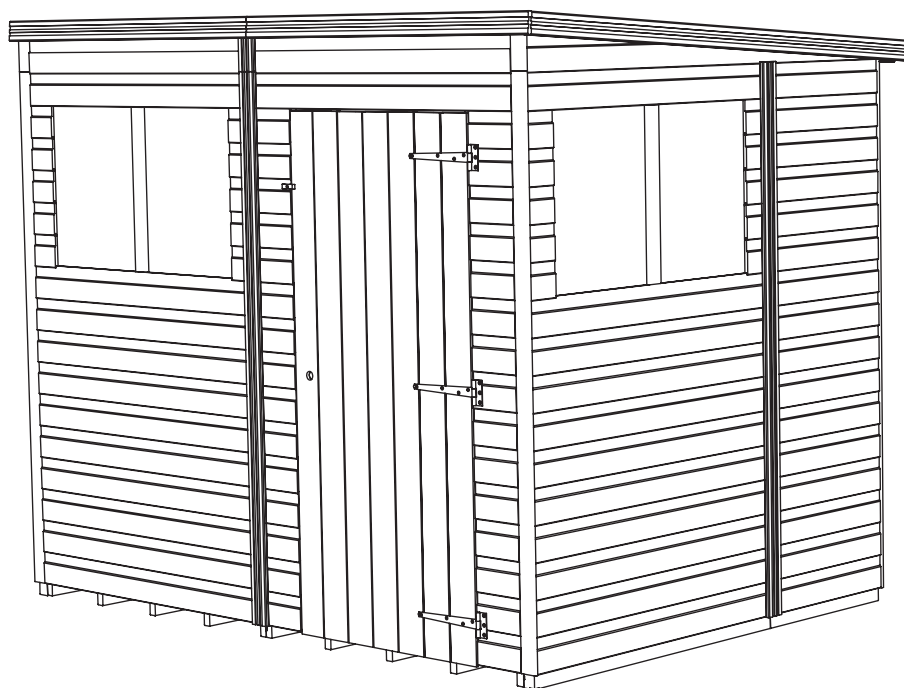


TIGERFLEX® SHIPLAP PENT SHEDS

GENERAL ASSEMBLY INSTRUCTIONS



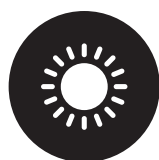
BEFORE YOU GET STARTED

PLEASE READ INSTRUCTIONS CAREFULLY

- Check the pack and make sure you have all the parts listed.
- When you are ready to start, make sure you have the right tools at hand (not supplied).
- Ensure there is plenty of space and a clean, dry area for assembly.

TIMBER

As with all natural materials, timber can be affected during various weather conditions. For the duration of heavy or extended periods of rain, swelling of the wood panels may occur. Warping, cupping or contraction of the wood may also occur during excessive dry spells due to an interior moisture loss. Unfortunately, these processes cannot be avoided but can be mitigated. It is suggested that the outdoor building is sprayed with water during extended periods of warm sunshine and sheltered as much as possible during rain or snow.



SUMMER
CONTRACTION



WINTER
EXPANSION



WOOD WARPING
MAY OCCUR

To validate your guarantee and ensure longevity of the product, it is ESSENTIAL that your building is treated with a suitable wood preserver or paint AFTER assembly, both internally and externally.

BUILDING A BASE

Care must be taken to ensure the product is placed on a suitable base. When thinking about where the building and base is going to be constructed: Ensure that there will be access to all sides for maintenance work and annual treatment.

Ensure the base is level and is built on firm ground, to prevent distortion. Refer to diagrams for the base dimensions which can be found on the product page at [tigersheds.com](https://www.tigersheds.com), it is recommended that the base should be slightly smaller than the external measurement of the building, i.e. The cladding should overlap the base, creating a run off for water. It is also recommended that the floor be at least 25mm above the surrounding ground level to avoid flooding.

TYPES OF BASE

- Durable plastic grid.
- Slabs laid on 50mm of sharp sand.
- Concrete 75mm laid on top of 75mm hard-core.
- Timber Base - Self constructed/Buy pre-made.



PLASTIC BASE



SLAB BASE



CONCRETE BASE



TIMBER BASE



BROKEN SLABS



BARE SOIL



LOOSE GRAVEL

**We recommend a Fastfit EcoBase for your building. It is durable, lightweight, flexible and easy to put in place. Please see [tigersheds.com](https://www.tigersheds.com) for details.*

CRAFTED BY US, CONFIGURED BY YOU!

The innovative modular design of the **TigerFlex**[®] range means that you can position the door and window panels (if applicable) where you want them to get the best light, best view, best access or most secure setting possible. As there are so many options, please note that while these instructions only show one popular configuration, the window, door and blank panels are interchangeable.

CAUTION:

All buildings should be erected by two competent adults.



CAUTION:

It is advisable to wear gloves during building installation.



The mark of responsible forestry

FSC[®] C125286



MADE IN THE UK SINCE 1913.

We have been making our high quality, great value sheds here in Britain for decades.

* **TigerSkin**[®] Water Based Treatment:

The unique formula of our **TigerSkin**[®] pre-treatment provides a reassuring layer of protection for your shed or summer house. Each panel is carefully dipped and dried to provide maximum coverage, and ensure that your building will have protection from the moment it arrives and is assembled. A water repellent formula which is harmless to plants, not only does it help to shield the timber, it also gives it a warm tone that looks great on your property. Once erected, your building should be treated regularly.

Whilst all products manufactured are made to the highest standards of Safety and in the case of childrens products independently tested to EN71 level, we cannot accept responsibility for your safety whilst erecting or using this product.

BEFORE YOU GET STARTED

TOOLS REQUIRED:

We recommend using the following tools (not supplied):



HAMMER



RUBBER Mallet



DRILL



LADDER



TAPE MEASURE



SHARP KNIFE



SPIRIT LEVEL



SCREWDRIVER +



WOOD SAW



SEALANT GUN



SEALANT

FIXING KIT GUIDE:

CN13

Clout Nails (13mm Galvanised - QTY 175)

S50

Screws (4x50mm - QTY 50)

BS25

Black Drywall Screw (3.5x25mm - QTY 20)

S90

Screws (5x90mm - QTY 12)

N40

Nail (40mm Galvanised - QTY 55)

2TBB

Black Turnbutton (2 Inch - QTY 1)

N65

Nail (65mm Bright - QTY 50)

- Assembly is relatively straightforward if you follow these step by step instructions.
- We recommend getting everything aligned properly before screwing together and that **screw holes should be pre-drilled to avoid splitting the timber.** (Do not come pre-drilled).

IMPORTANT

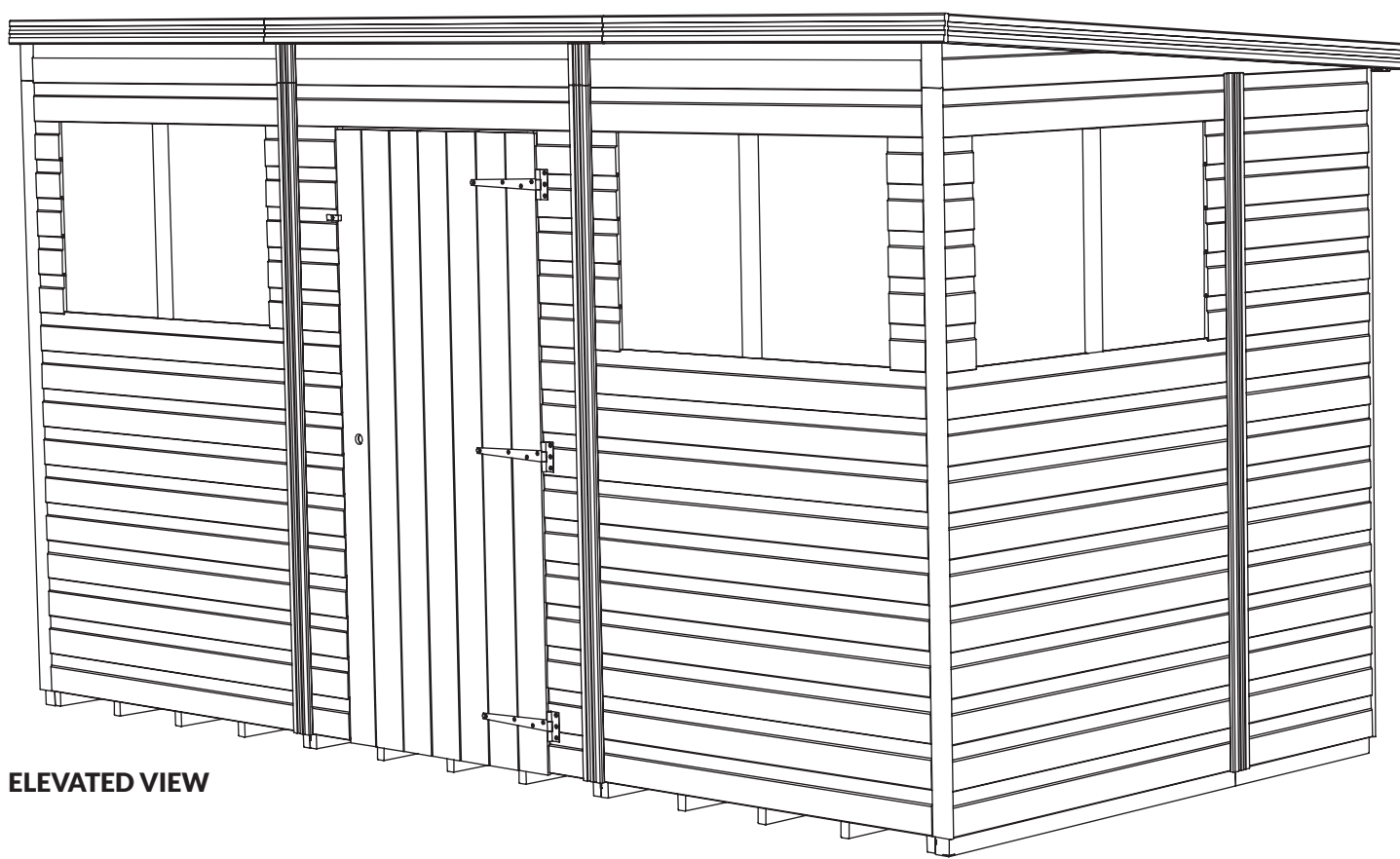
- Before assembly please make sure you have a suitable base ready to erect your building on.
- This base **MUST** be firm and level to ensure that the building is assembled properly and lines up.
- Please carefully unpack the components in your delivery, and remove the timber supports that make up the delivery pallet.
- **CAUTION:** Parts may have moved during transportation. Be careful when unpacking supplied shed.
- **DO NOT** start your build until you have checked that all the parts of your building are present, correct and in a suitable condition.
- Pre-drilling screw holes is recommended to reduce the chances of the timber framing splitting.
- If you are organising a third party to install your building, it is best practice not to schedule this immediately on receipt of your order, to give you time to check your delivery.

BEFORE YOU GET STARTED - PRE ASSEMBLY

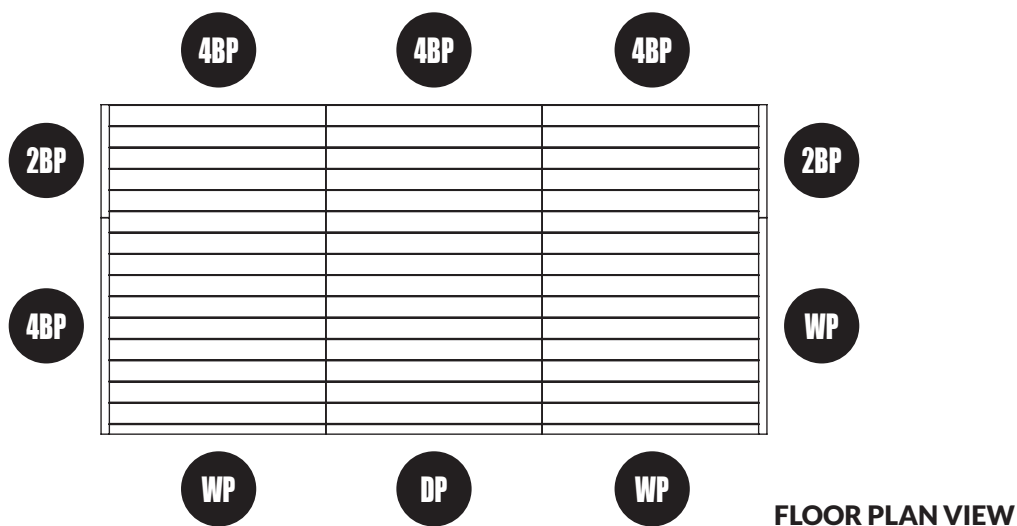
What Is TigerFlex®?

The original modular shed range, TigerFlex® sheds let you choose where you want to place the door and the windows, giving you the flexibility to decide how you want your shed to look and feel for your garden, for storage, for work or for leisure.

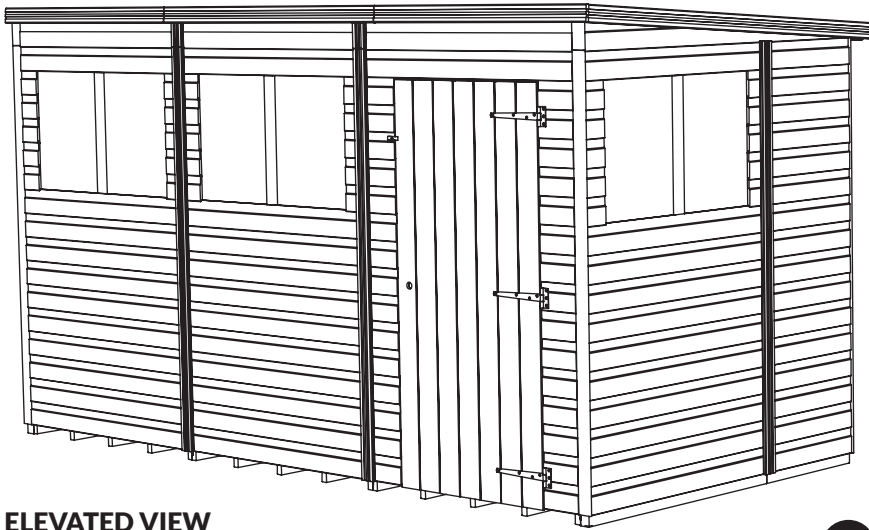
Illustrations show the flexibility to position the doors and windows in different configurations for a 12'x6' TigerFlex® Pent Single Door shed.



ELEVATED VIEW

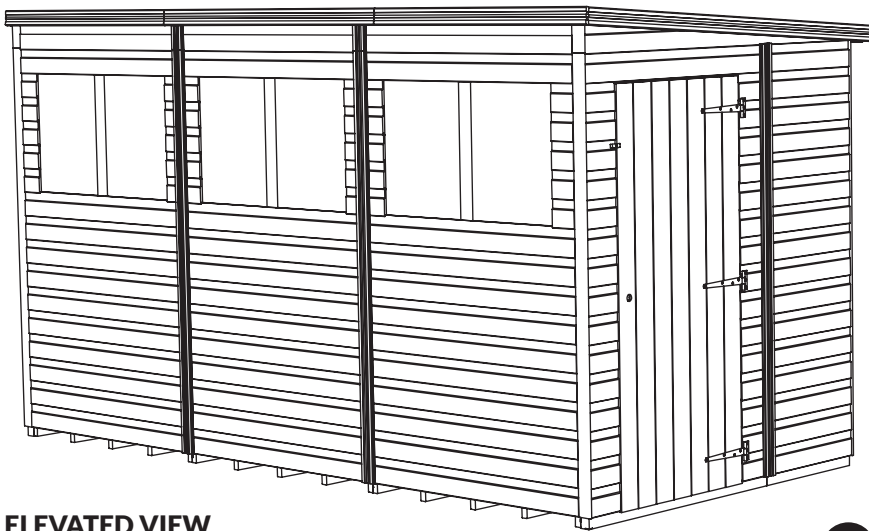
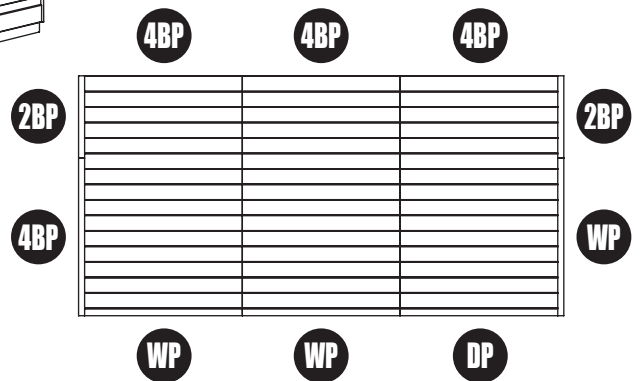


FLOOR PLAN VIEW



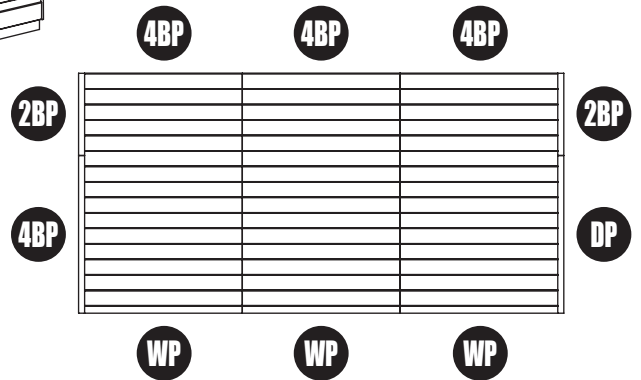
ELEVATED VIEW

FLOOR PLAN VIEW



ELEVATED VIEW

FLOOR PLAN VIEW



- DP** DOOR PANEL
- WP** WINDOW PANEL
- 2BP** 600mm BLANK PANEL
- 4BP** 1150mm BLANK PANEL

TIGERFLEX® SHIPLAP PENT GENERAL ASSEMBLY GUIDE

Step 1: **S90**

FLOOR PANEL INSTALLATION

Lay out floor panels supplied as shown.

- Single Floor model Shown for reference.
- Check your product floor size for the correct diagram (*opposite page*).
Please ensure floor panels are butted up tightly with no gaps
Secure bearers to floor panel using 2x 90mm **(S90)** screws per bearer.

- Make sure fixings go into floor joists.

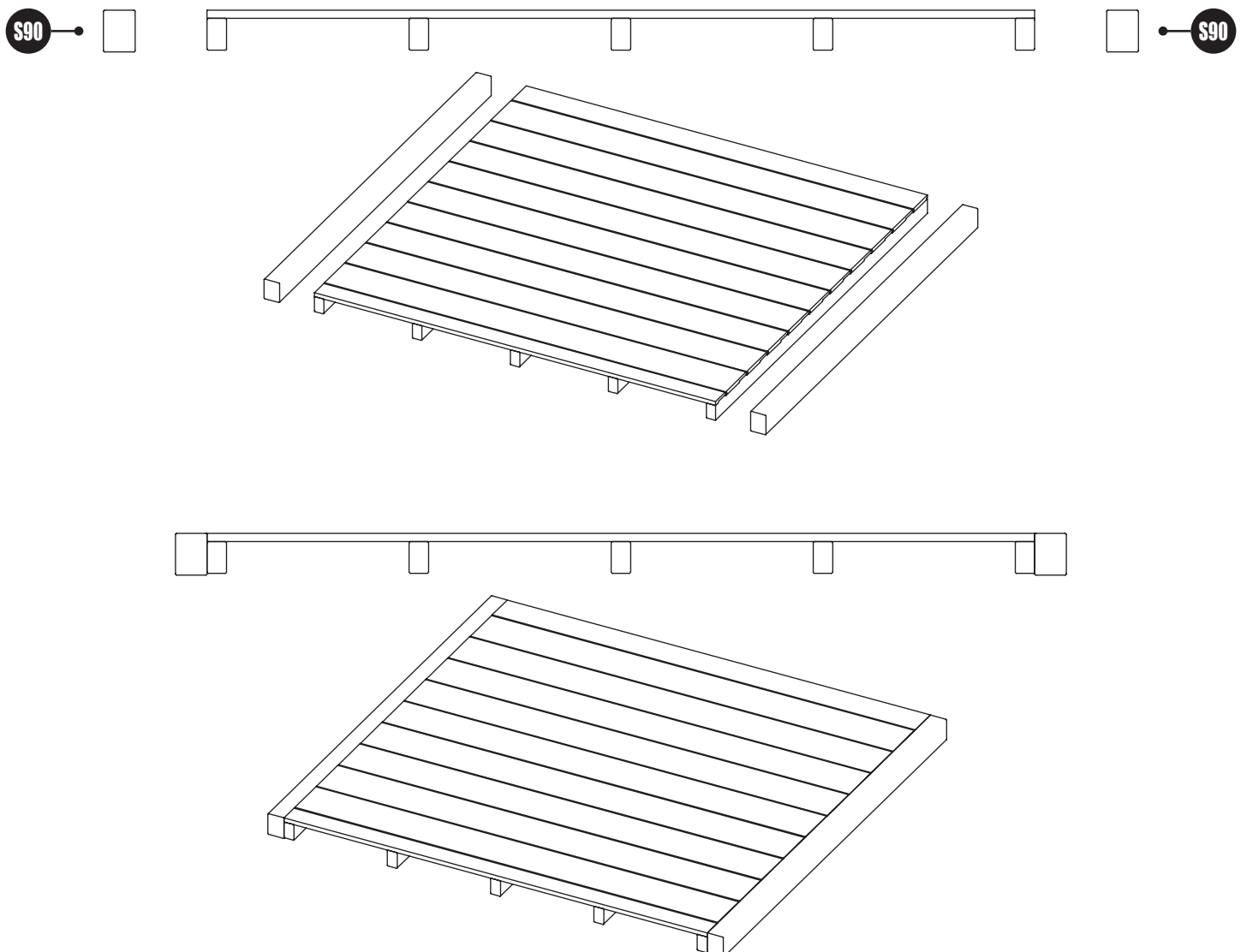
* 2x HD Bearers supplied for sizes indicated opposite (by asterisk).

** 4x HD Bearers supplied for sizes indicated opposite (by double asterisk).

3ft Gables - 2x 900mm Bearers

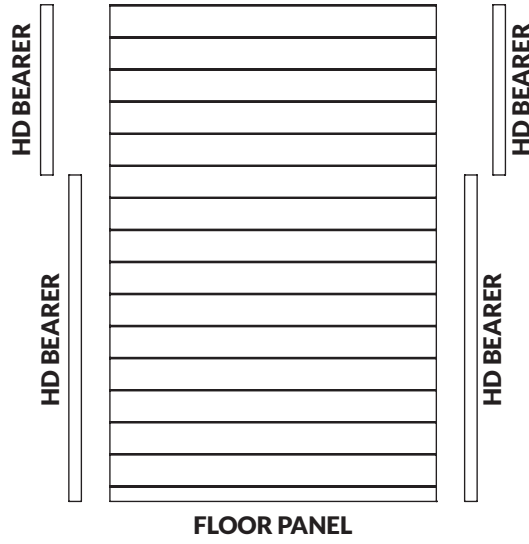
4ft Gables - 2x 1150mm Bearers

6ft Gables - 2x 1150mm Bearers & 2x 600mm Bearers



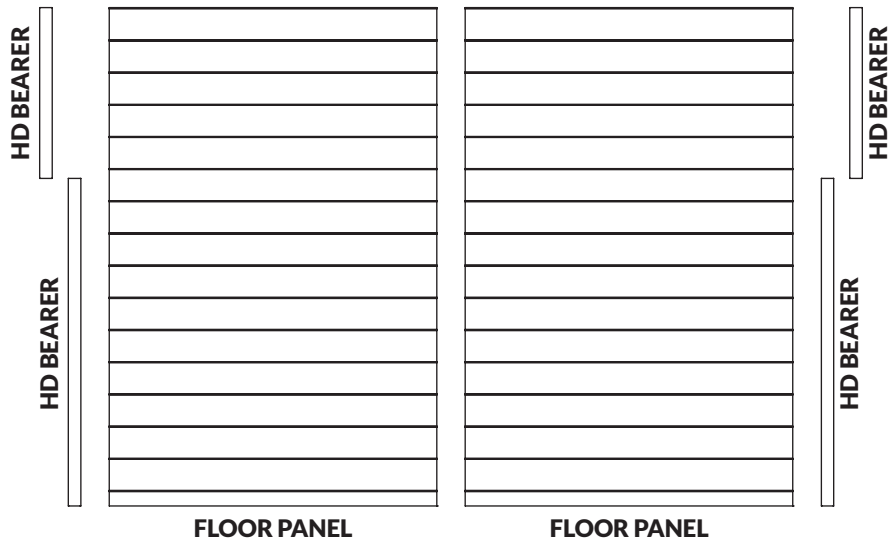
SINGLE FLOOR

2x3*, 3x3*, 4x3*, 4x4*, 4x6**



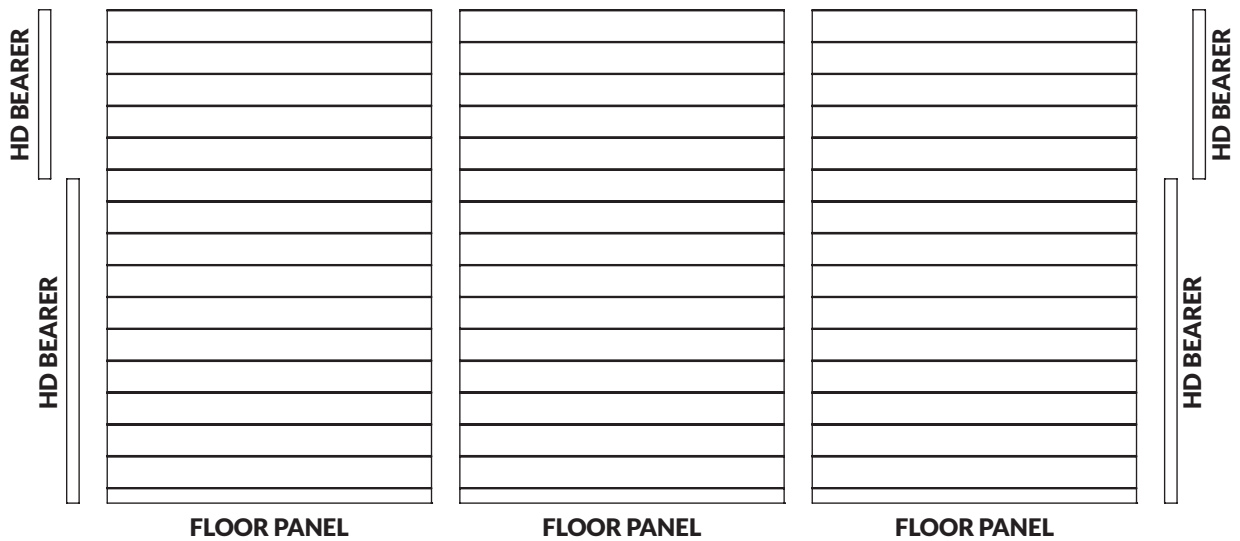
DOUBLE FLOOR

5x3*, 6x3*, 7x3*, 8x3*, 8x4*, 8x6**



MULTI FLOOR

12x4* & 12x6**



TIGERFLEX® SHIPLAP PENT GENERAL ASSEMBLY GUIDE

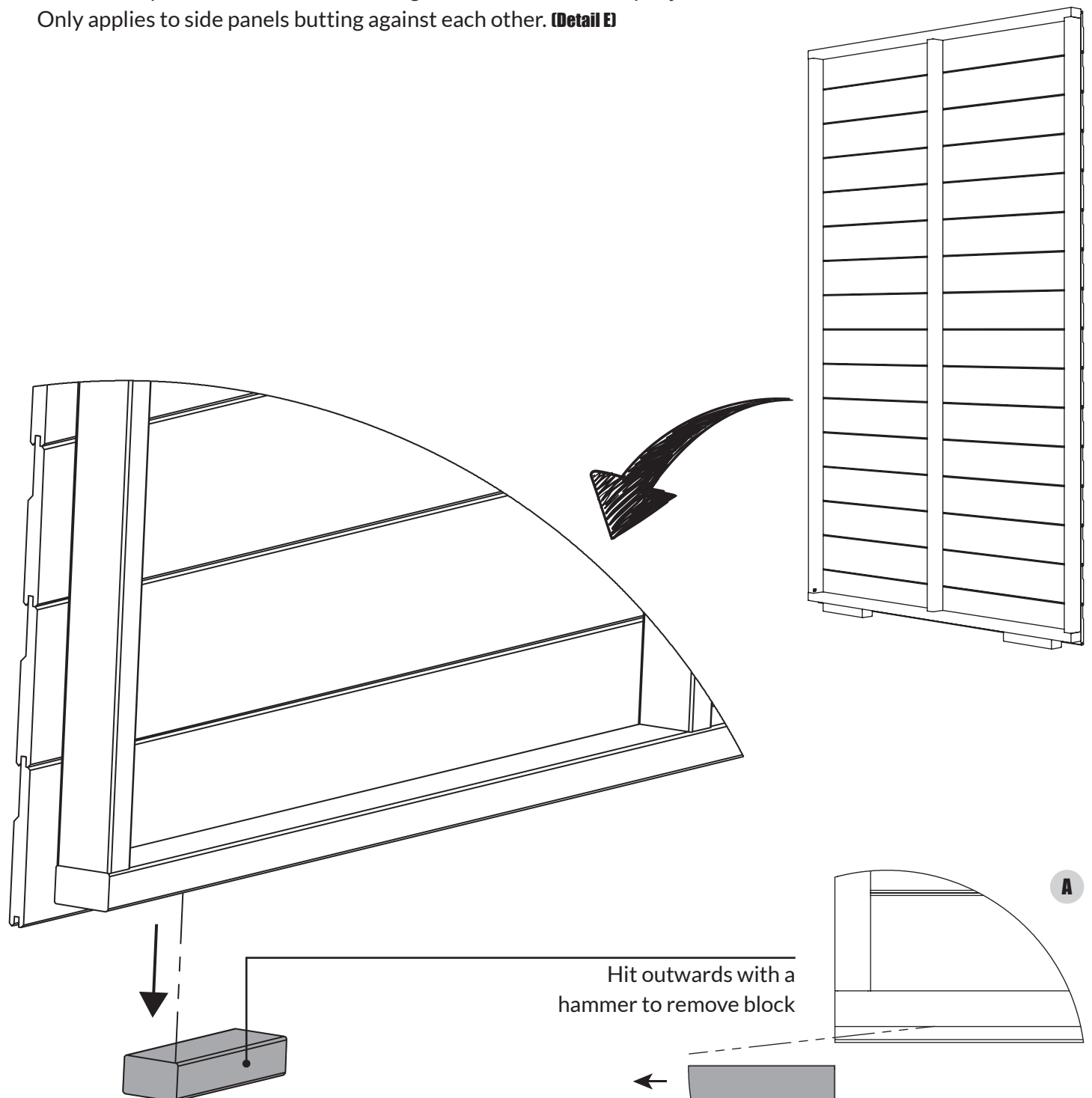
Step 2:

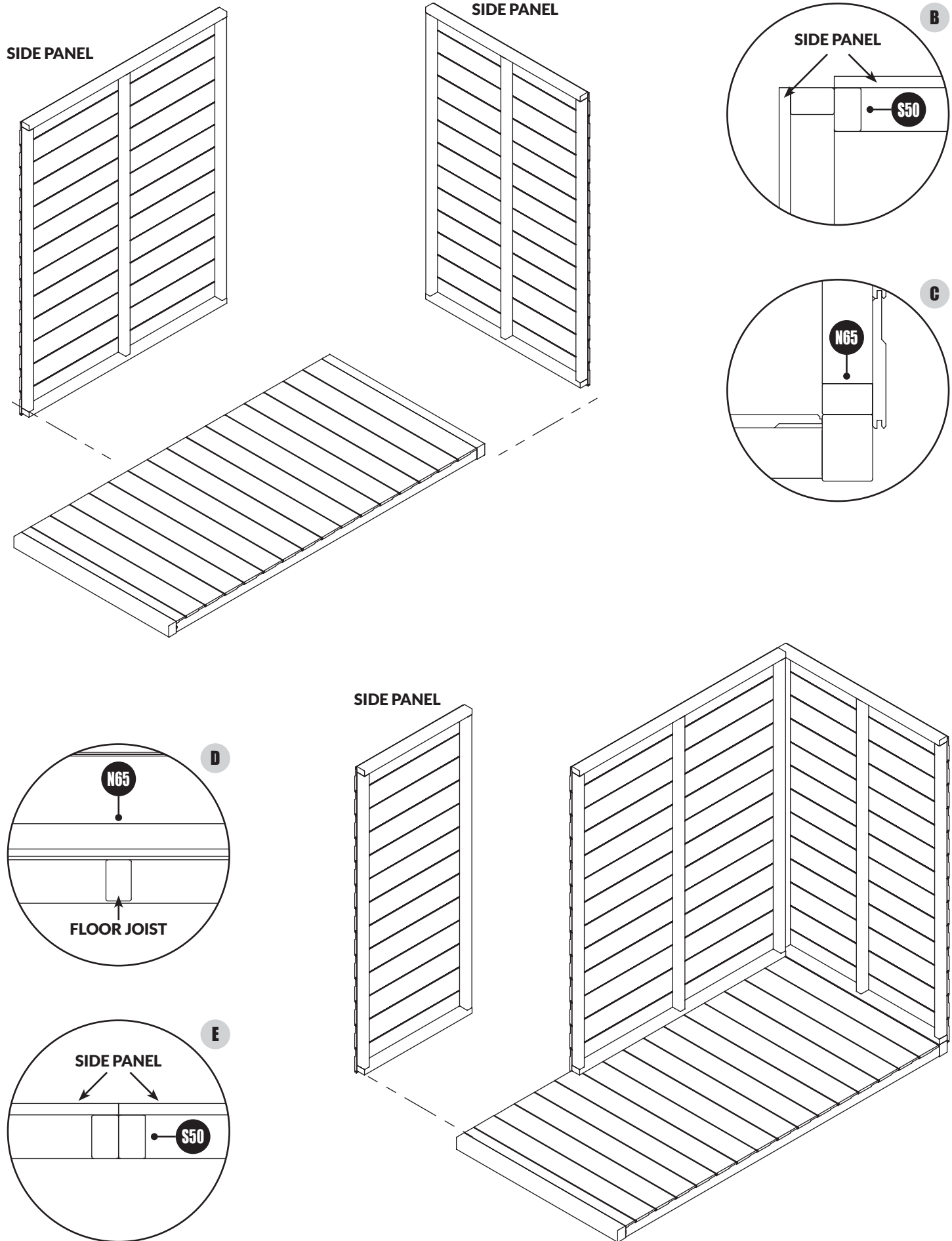
SIDE PANEL INSTALLATION

Make sure transport blocks have been removed. **(Detail A)**

NOTE - Hammer off sideways. Do not prise off.

- Secure side panels to each other in corners using 3x 50mm **(S50)** screws per join. **(Detail B)**
- Secure side panels to floor using 65mm **(N65)** nails. **(Detail C & D)**
NOTE - Make sure fixings go through floor joists or into heavy duty timber bearers.
- Secure side panels to each other in using 3x 50mm **(S50)** screws per join.
Only applies to side panels butting against each other. **(Detail E)**

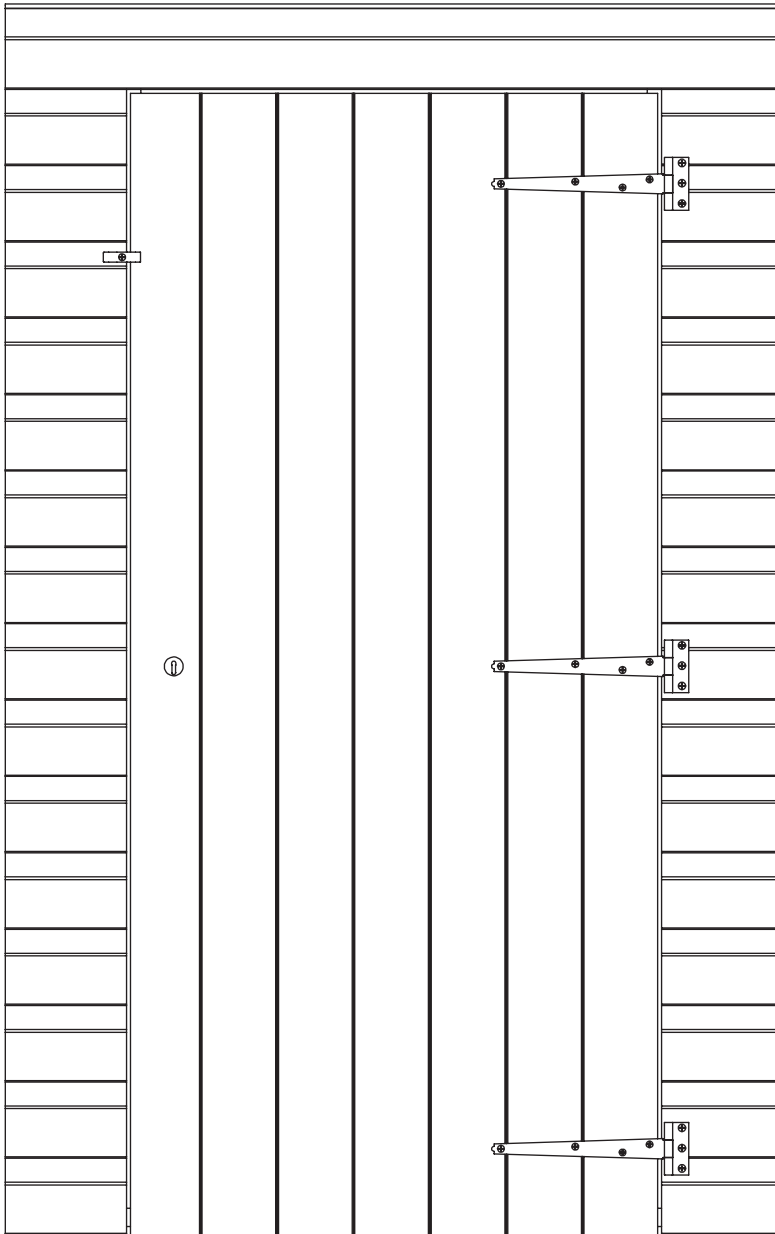




TIGERFLEX® SHIPLAP PENT GENERAL ASSEMBLY GUIDE

Step 3:

DOOR INSTALLATION



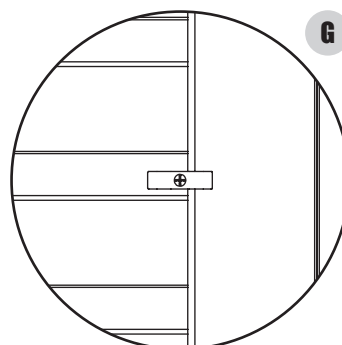
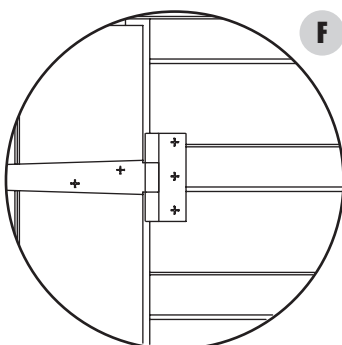
SINGLE DOOR:

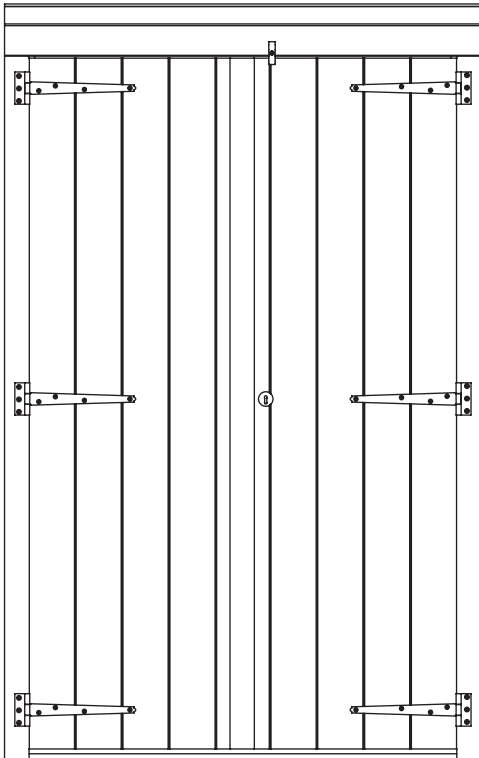
Place door in desired position.

Door shown in right hand hinge position.

- Leave approx 2mm gap at side between door and door panel.
- Leave approx 6mm gap at top between door and door panel.
- Secure using 3x **(BS25)** screws per hinge. 3x hinges in total. **(Detail F)**
- Secure Turn Button **(2TBB)** using 1x **(BS25)** screw **(Detail G)**
- For left hand hinged doors, rotate the door panel 180° and follow the previous steps.

NOTE - Details F & G would also be opposite to what is shown.



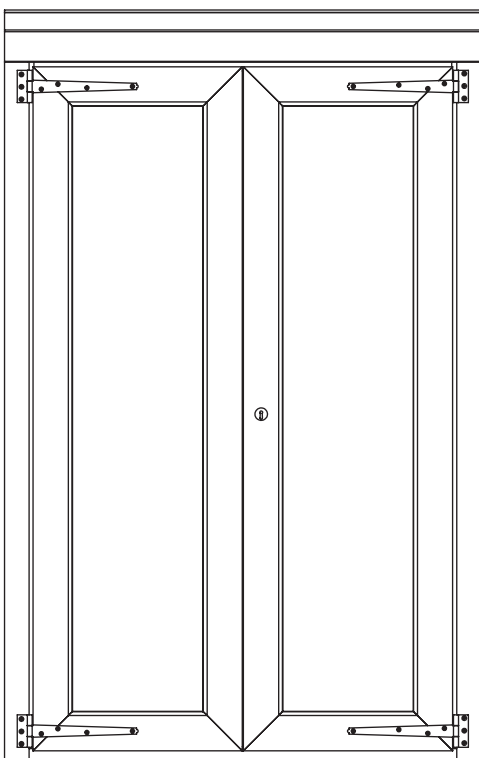
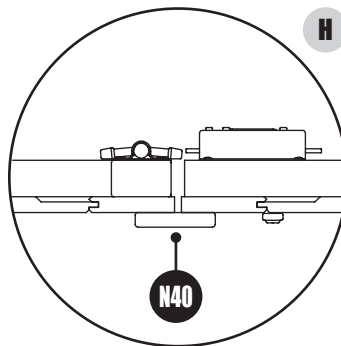


DOUBLE DOOR:

Double Doors pre-fitted in workshop.

- OPTIONAL: Extra corner strip supplied to be trimmed and installed as door cover piece.
- Fit on outside of leading door to cover gap between both doors. Secure to right hand door using 3x (N40) nails. (Detail H)

NOTE - Be careful not to cover the keyhole.



FULL PANE DOOR:

Double Doors pre-fitted in workshop.

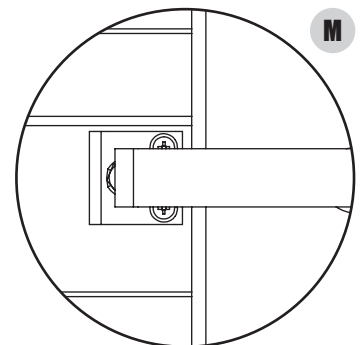
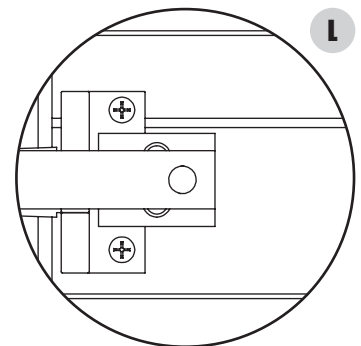
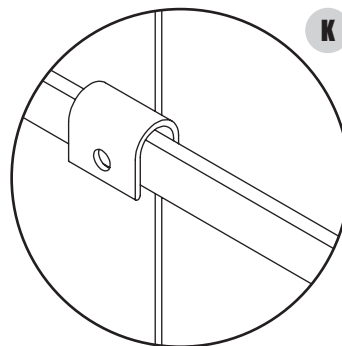
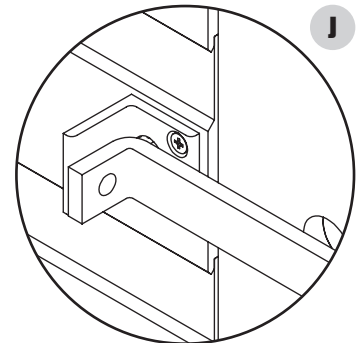
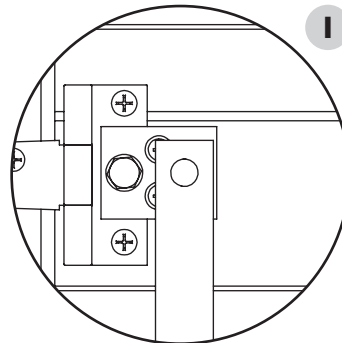
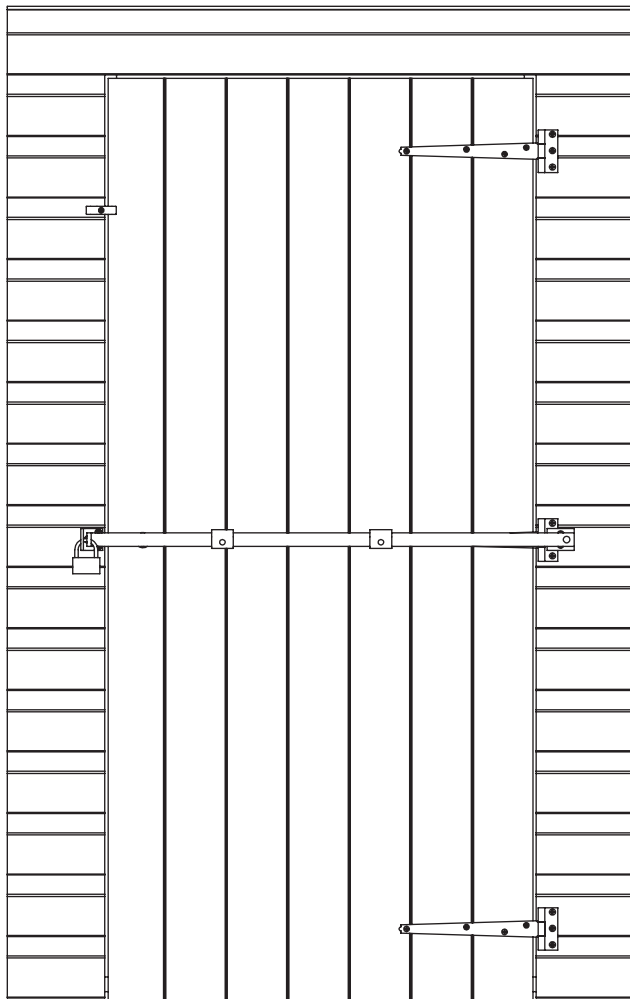
- CAUTION: Full Pane Summerhouse doors are very heavy. Care required when manoeuvring panels.

TIGERFLEX® SHIPLAP APEX GENERAL ASSEMBLY GUIDE

Step 3:

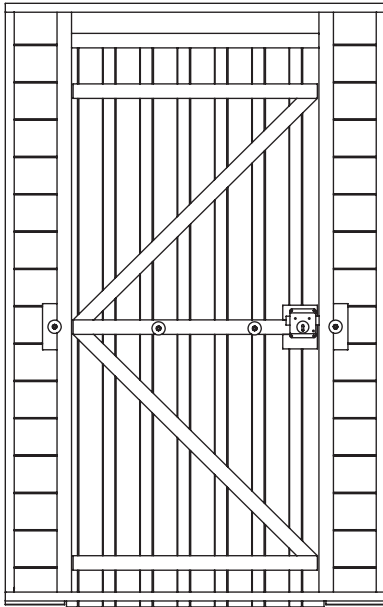
DOOR INSTALLATION (cont.)

SINGLE SECURITY DOOR (Fitting Security Bar External)

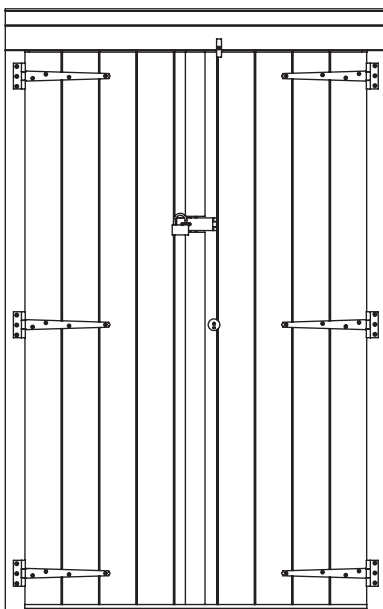
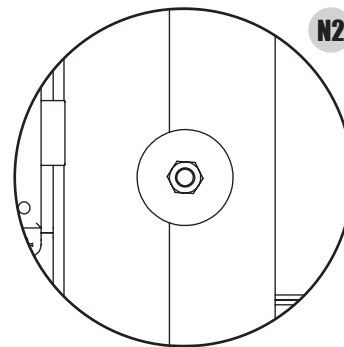
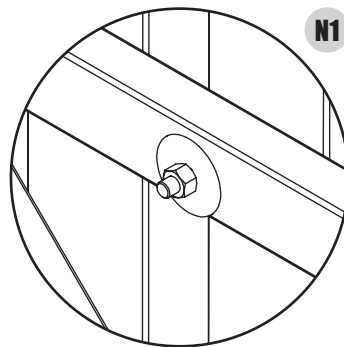


- Check you have all components before starting.
- Mark the position of the holes required for the hinge plate & drill a hole for the bolt (8mm / 5/16"). **(Detail I)** Secure large bolt through drilled hole.
- Ensure that the plate is positioned in such a way that when the bar is in the locked position it covers the head of the bolt. **(Detail J)**
- When firmly fixed, raise the bar horizontally across the door and position the angle plate so that the padlock holes are aligned, **(Detail K)** leaving a small gap of approximately 1 to 2mm between them. **(Detail L)** This should be just enough room to allow the bar to swing to and from the angle plate without jamming.
- Fix the angle plate so that when the bar is in the locked position it covers the bolt head.
- With the bar in the locked position mount the door cleats evenly along the bar. Make sure that the cleats are flat against the door and not jamming against the bar. If the cleats are set too high or low they will prevent the bar from closing properly and the padlock won't align. **(Detail M)**

SINGLE SECURITY DOOR (Fitting Security Bar Internal)

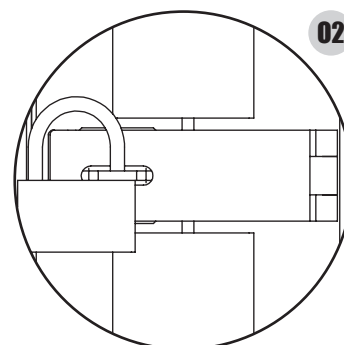
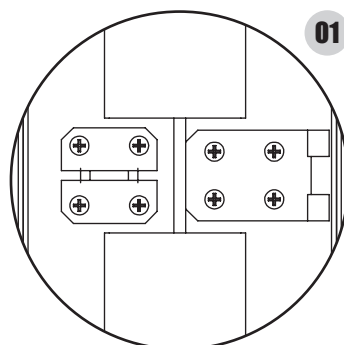


- Fix wooden blocks (same thickness as framing) before drilling & fixing screws and bolts. **(Detail N2)**
- Due to different shed frame thicknesses, bolts supplied are to cover largest size. Cut off the excess bolt and screw material protruding in to the shed and smooth down to prevent any accidents when entering or leaving the shed. **(Detail N1 & N2)**



DOUBLE SECURITY DOOR: (Fitting Hasp & Staple External)

- Check you have all components before starting.
- Choose where you want the padlock to be positioned.
- Trim the supplied corner strip to allow the hasp and padlock to be secured to the door panel. Secure to right hand door using 3x 40mm **(N40)** nails.
- Mark the position of the holes required for the hinge plate. Line up plate with edge of door. Secure in place with 4x screws. **(Detail 01)**
- Close hasp with the padlock latch in place. Mark off edges and open hasp. Secure in place with 4x screws. **(Detail 02)**

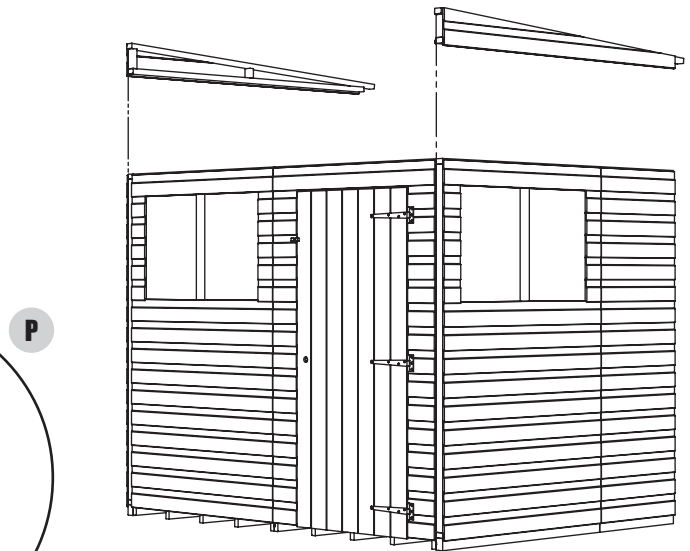
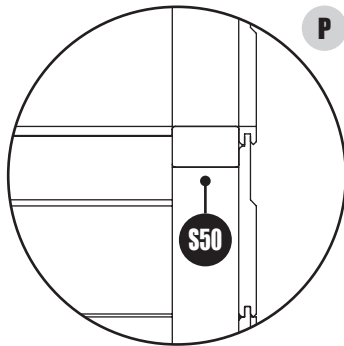


TIGERFLEX® SHIPLAP PENT GENERAL ASSEMBLY GUIDE

Step 4:

PENT GABLE TOP INSTALLATION

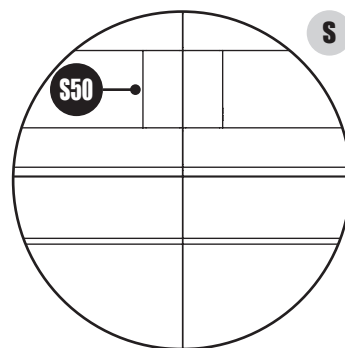
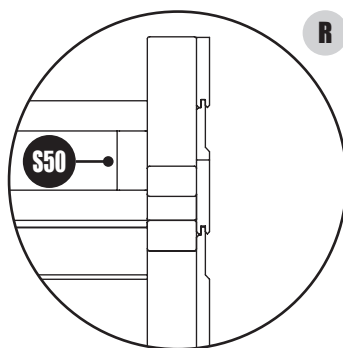
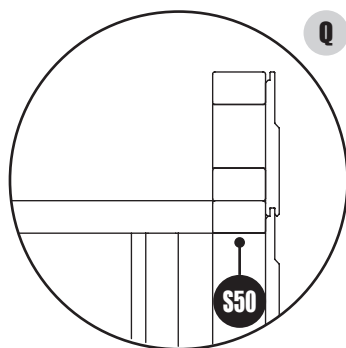
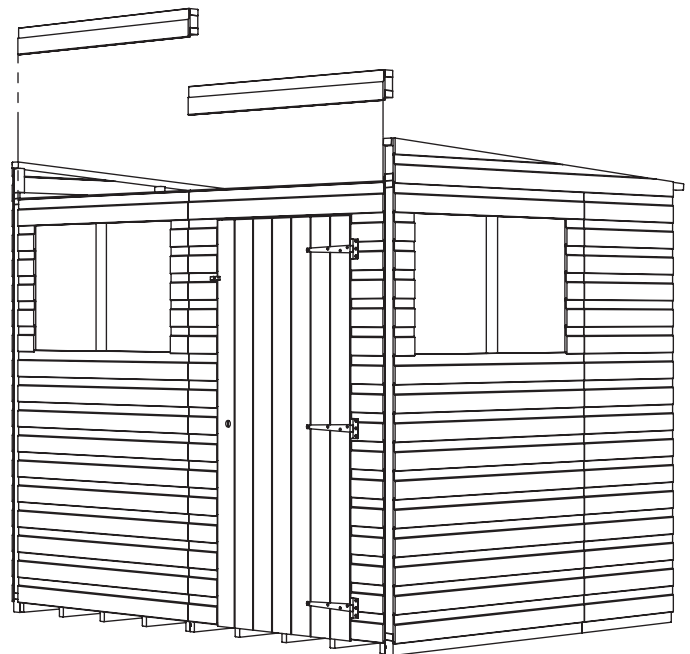
- Fix Pent Gable Tops to the existing built structure.
- The bottom of the gable top will slot into the top of the cladding on the panel below. Please ensure the gable top is positioned centrally above the side panels before screwing in place.
- Secure through top of side panels using 2x 50mm **(S50)** screws per gable top. **(Detail P)**



Step 5:

PENT HIGH SIDE TOP INSTALLATION

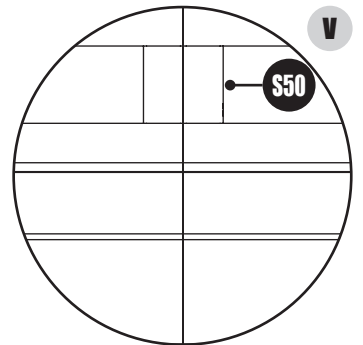
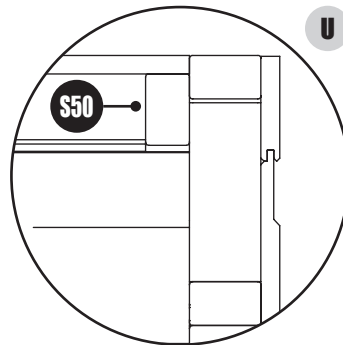
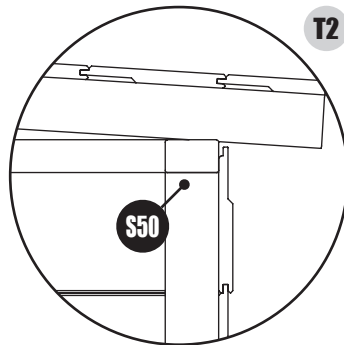
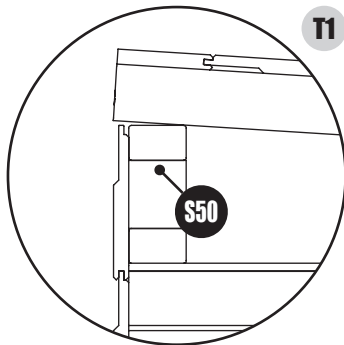
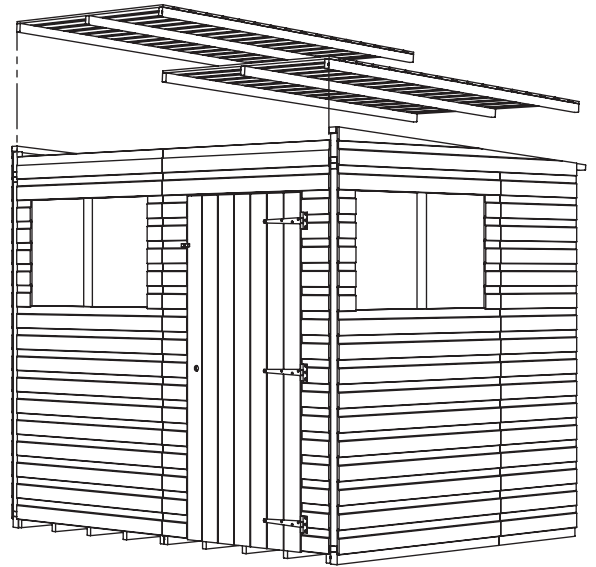
- Fix Pent High Side Tops to existing built structure. The bottom of the High Side Top will slot into the top of the cladding on the panel below. Please ensure the High Side Top is positioned centrally above the side panels before screwing in place.
- For all models, secure through top of side panels using 2x 50mm **(S50)** screws per High Side Top. **(Detail Q)**
- For all models, secure through side of High Side Top into the Pent Gable Top using 1x 50mm **(S50)** screw per gable top. **(Detail R)**
- For models with High Side Tops butting together, secure through side using 1x 50mm **(S50)** screw per join. **(Detail S)**



Step 6: S50

PENT ROOF PANEL INSTALLATION

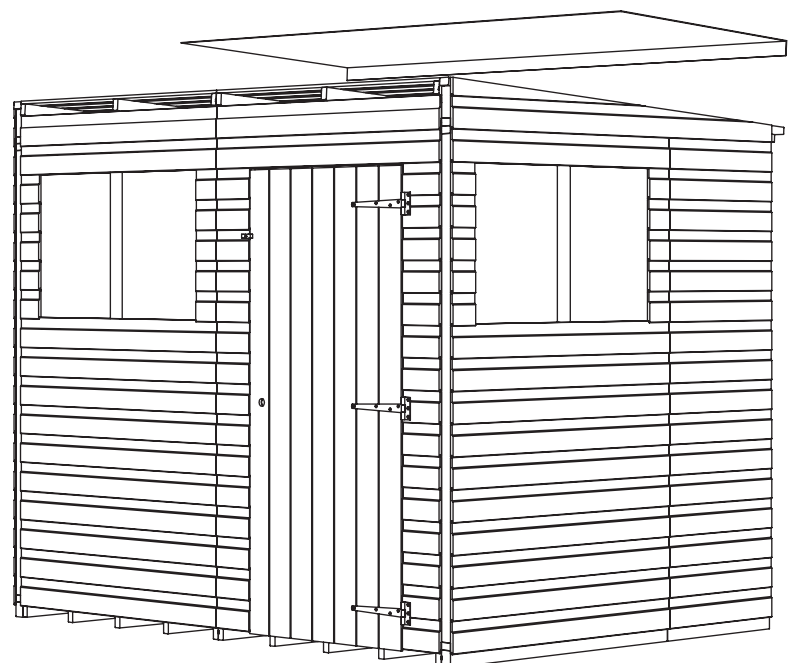
- Attach roof panels as shown. Rest Pent roof panel on the High Side Top and side panel on the opposite side. **(Detail T1 & T2)**
- Butt Pent roof panel tightly against Pent Gable Top.
- Make sure all panels are square before fixing together.
- Secure to Pent Gable Tops using 2x 50mm **(S50)** screws per roof panel. **(Detail U)**
- For multi roof models, secure Pent roof panels together using 2x 50mm **(S50)** screws per roof panel. **(Detail V)**



Step 7: CN13

FELT INSTALLATION

- Roll out felt along lower part of roof, leaving sufficient overhang to fold down onto roof purlin, approx 75mm/3".
Do not fold underneath roof.
- Use clout **(CN13)** nails to tack top of felt into the roof panel.
- Repeat for the other side. Fold the overhang at gable ends under the roof panel and tack in place.
- Ridge piece should overlap the lower strips and tack into place (if supplied).
- Felt illustration for 8'x6' model.

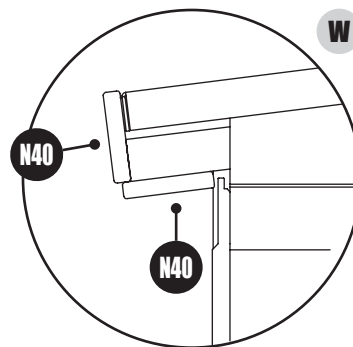
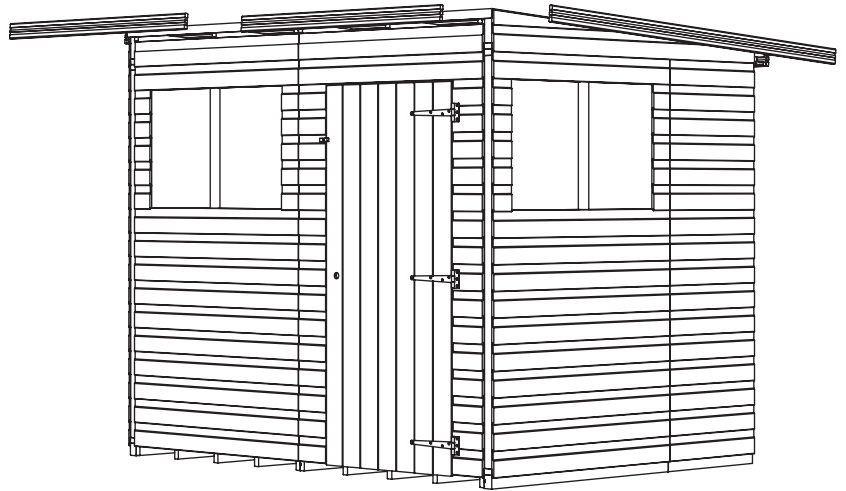


TIGERFLEX® SHIPLAP PENT GENERAL ASSEMBLY GUIDE

Step 8:

BARGE BOARD INSTALLATION

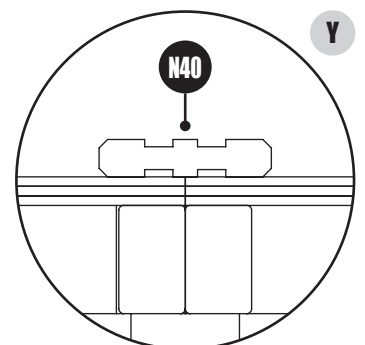
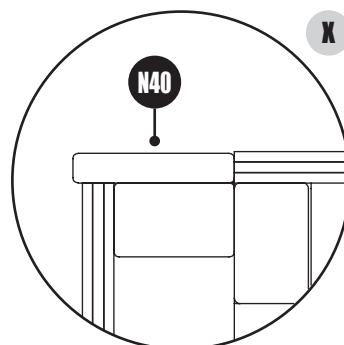
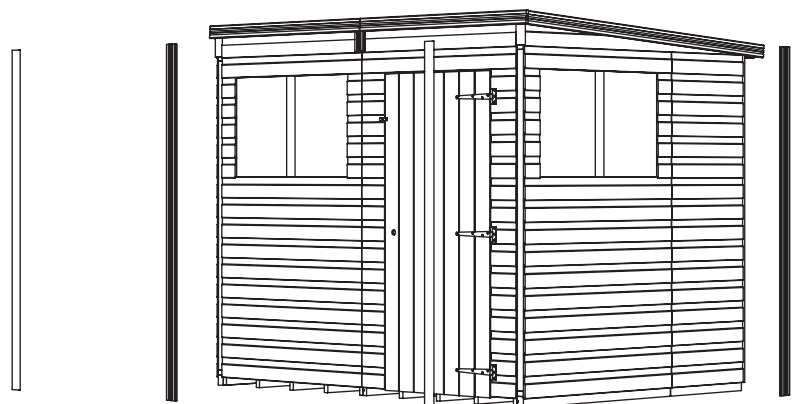
- Fit Barge Boards to the roof, trapping overhanging end of the felt in between to create a weatherproof seal
- Secure together using 2x 40mm **(N40)** nails per Barge Board.
- Fit rear soffit boards, these may need to be trimmed.
- Secure together using 2x 40mm **(N40)** nails per Soffit Board. **(Detail W)**



Step 9:

COVER LAT & CORNER STRIP INSTALLATION

- Fit Corner Strips in the corners of the shed, these are plain profiled pieces.
- Secure to the shed using 3x 40mm **(N40)** nails per Corner Strip. **(Detail X)**
- Cut extra supplied piece to length to cover corners on high side.
- Fit Cover Lats over joints where 2 panels butt against each other. These are grooved both sides.
- Secure to the shed using 3x 40mm **(N40)** nails per Cover Lat. **(Detail Y)**
- Cut extra supplied piece to length to cover joins on high side. 2x3w, 3x3w, 4x3w & 4x4w Models are not supplied with Cover Lats.
- Once finished, seal the windows. *(Windows must be sealed as part of the guarantee).*



NOTE - Not required on windowless shed options.

WINDOW FIXING

All **TigerFlex**[®] windowed buildings come with 3mm toughened glass pre-fitted as standard. All windows should be sealed both inside and out with a silicone or other watertight solution of your choice. We would recommend the Tiger Silicone & Gun Set available at tigersheds.com.



SEALANT GUN



SEALANT

ROOF COVERING OPTIONS

All Tiger buildings are designed to use **TigerFelt**[®] high grade poly-backed durable mineral roofing felt. If you have chosen a different roof covering option – such as EPDM rubberised roof covering or Shed Shingles, please see their separate roofing instructions available on their product pages at tigersheds.com.

MAINTENANCE

To validate your guarantee and ensure longevity of the product, it is **ESSENTIAL** that your building is treated with a suitable wood preserver or paint either **BEFORE** or **AFTER** assembly, both internally and externally. For the continued protection for unpainted areas of your garden building we recommend maintaining your timber treatment with **TigerSkin**[®] preserver. This solvent based wood treatment will penetrate deep into the wood giving years of protection against the weather and also enhance timber grain with a rich long lasting protection. A water repellent formula which is harmless to plants when dry, it is available in a wide range of colours to refresh the look and feel of your garden building. Discover more at tigersheds.com.

CAUTION:

All buildings should be erected by two competent adults.



CAUTION:

It is advisable to wear gloves during building installation.



CRAFTED BY US, CONFIGURED BY YOU!

The innovative modular design of the **TigerFlex**[®] range means that you can position the door and window panels (if applicable) where you want them to get the best light, best view, best access or most secure setting possible. As there are so many options, please note that while these instructions only show one popular configuration, the window, door and blank panels are interchangeable.



Display Agent

Woodlands DIY Store
Station Yard,
Horsforth,
Leeds,
LS18 5NZ

Telephone: 0113 205 4189
Website: tigersheds.com
Email: customersupport@tigersheds.com

