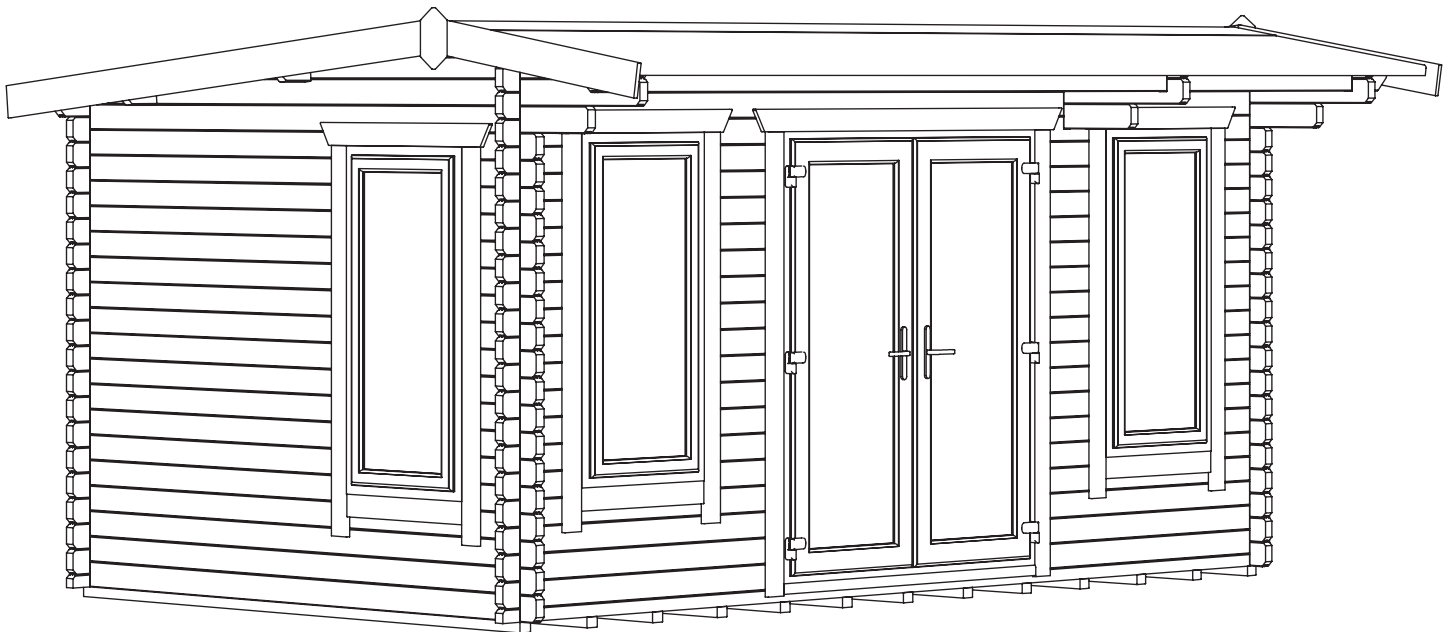


# TIGER STELLA LOG CABIN

---

## GENERAL ASSEMBLY INSTRUCTIONS



# BEFORE YOU GET STARTED

## PLEASE READ INSTRUCTIONS CAREFULLY

- Check the pack and make sure you have all the parts listed.
- When you are ready to start, make sure you have the right tools at hand (not supplied).
- Ensure there is plenty of space and a clean dry area for assembly.

### TIMBER

As with all natural materials, timber can be affected during various weather conditions. For the duration of heavy or extended periods of rain, swelling of the wood logs may occur. Warping of the wood may also occur during excessive dry spells due to an interior moisture loss. Unfortunately, these processes cannot be avoided but can be mitigated. It is suggested that the outdoor building is sprayed with water during extended periods of warm sunshine and sheltered as much as possible during rain or snow.



SUMMER  
CONTRACTION



WINTER  
EXPANSION



WOOD WARPING  
MAY OCCUR

Please do not paint or treat your cabin timbers before assembly as they must stay dry for a snug tongue and groove fit. To validate your guarantee and ensure longevity of the product, it is ESSENTIAL that your building is treated with an appropriate high-quality oil or solvent based preservative AFTER assembly, both internally and externally, then annually thereafter.

### BUILDING A BASE

Care must be taken to ensure the product is placed on a suitable base. When thinking about where the building and base is going to be constructed, ensure that there will be access to all sides for maintenance work and annual treatment.

Ensure the base is firm and level and is built on firm ground, to prevent distortion.

The constructed base must be at least the size of tanalised floor bearers as referenced in supplied construct diagram. It is also recommended that the floor be at least 25mm above the surrounding ground level to avoid flooding.

### TYPES OF BASE

- Durable plastic grid\*
- Concrete 75mm laid on top of 75mm hard-core.
- Slabs laid on 50mm of sharp sand.
- Timber base - Self constructed/Buy pre-made.



PLASTIC BASE



CONCRETE BASE



SLAB BASE



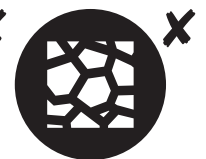
TIMBER BASE



BROKEN SLABS



BARE SOIL



LOOSE GRAVEL

*\*We recommend a Fastfit EcoBase for your building. It is durable, lightweight, flexible, and easy to put in place. Please see [tigersheds.com](https://tigersheds.com) for details.*

**CAUTION:**

All buildings should be erected by two competent adults.



**CAUTION:**

It is advisable to wear safety gloves during building installation.



*Whilst all products manufactured are made to the highest standards of safety, we cannot accept responsibility for your safety whilst erecting or using this product.*



The mark of responsible forestry

FSC® C125286



**MADE IN THE UK SINCE 1913.**

We have been making our high quality, great value garden buildings here in Britain for decades.

**GO WITH THE PRO!**

We understand how busy life can be. Our Pro-Installation service can take the stress and strain out of assembling your quality Tiger building for you. We recommend using professional and dedicated installers to erect your building. With their knowledge and experience, they will ensure that your cabin is put properly in place ready for you to enjoy your space for years to come.

If you have not booked our Pro-Installation service and would like to arrange an installation, please contact our friendly customer support team on **0113 205 4189** (Mon – Fri 9am-5pm) or email **sales@tigersheds.com**.

- The pro-install team will contact you to arrange a suitable time and date for the fitting.
- Sit back, relax and let our professional home installation service do all the hard work for you!
- Please view the Pro Installation page on [tigersheds.com](http://tigersheds.com) for full terms & conditions and to see if your postcode area is covered by our Pro-Install teams.

# BEFORE YOU GET STARTED

## TOOLS REQUIRED

We recommend using the following tools (not supplied):



HAMMER



RUBBER Mallet



DRILL



LADDER



TAPE MEASURE



SHARP KNIFE



SPIRIT LEVEL



SCREWDRIVER +



WOOD SAW



SPANNER

## FIXING KIT CONTENTS:



Clout Nails (20mm Galvanised - QTY 300)



Screws (40mm - QTY 30)



Nails (40mm Galvanised - QTY 30)



Screws (60mm - QTY 8)



Nails (65mm Galvanised - QTY 300)



Screws (80mm - QTY 16)



Nails (40mm Bright Annular - QTY 400)



M6 Coach Bolts (40mm - QTY 8)

## Unpacking supplied cabin.

- Remove all wrapping from delivery. From top to bottom, cut banding holding all components together and remove the cabin components.

**NOTE: PARTS MAY HAVE BECOME LOOSE OR MOVED DURING TRANSPORTATION.**

- Lay components on a dry, horizontal surface.

## BUILDING PACK CONTENTS:

For full details of what should be included please see the Product Construct Diagram and itemised cutting list that is supplied with the delivery. They are also available on request in pdf form from our helpful Customer Support team – please call **0113 205 4189** or use the Items Delivered Query form at **tigersheds.com/contact**.



**SCAN CODE!**  
TO VIEW GENERAL ASSEMBLY  
GUIDE FOR HIPEX ROOF CABIN

### ASSEMBLY

- Assembly is straightforward if you follow these step-by-step instructions.
- We recommend getting everything aligned properly before screwing together and that screw holes should be pre-drilled to avoid splitting the timber. (Do not come pre-drilled).

### IMPORTANT

- Before assembly, please make sure you have a suitable base ready to erect your building on.
- Your base **MUST** be firm and level to ensure that the building is assembled properly and is square.
- Please carefully remove the packaging and unpack the components in your delivery.  
**NOTE: ADDITIONAL TIMBER MAY BE INCLUDED AS PACKING MATERIALS.**
- **DO NOT** start your build until you have checked that all the parts of your building are present and in a suitable condition.
- If you are organising a third party to install your building, it is best practice not to schedule this immediately on receipt of your order, to give you time to check your delivery.

# TIGER STELLA LOG CABIN GENERAL INSTRUCTIONS

## Step 1:

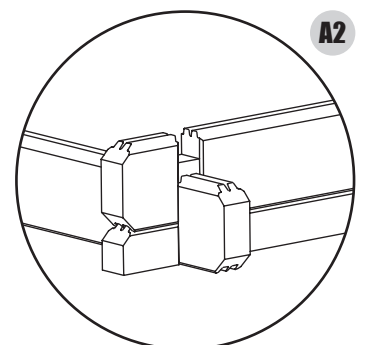
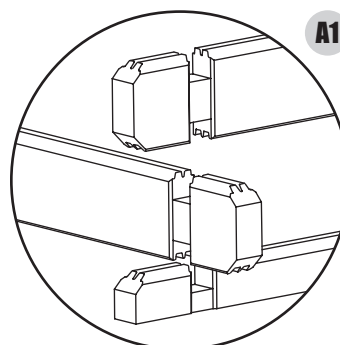
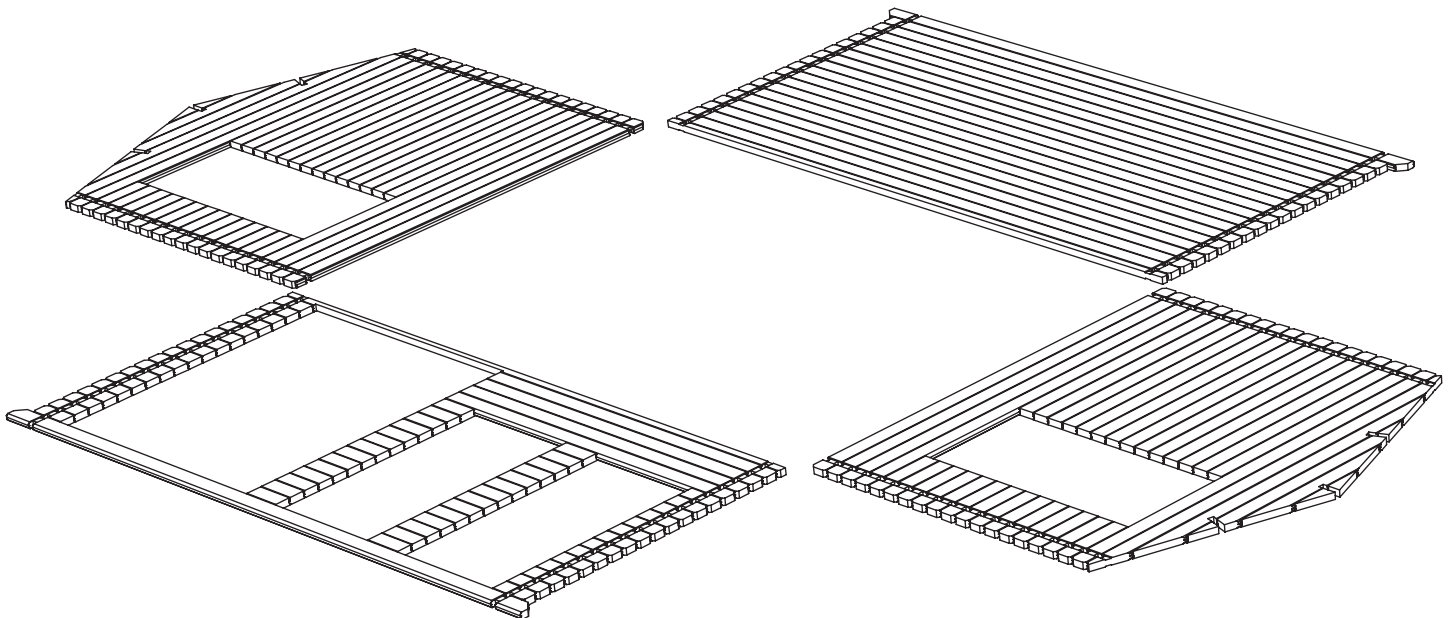
### UNPACKING CABIN COMPONENTS:

- Unpack all components from your supplied cabin pack(s) and place each individual component in the correct order using the supplied construct diagram and parts list as a guide. Ensure all components are present and in the correct position before beginning assembly.

- Each log interlocks in a staggered pattern.

**NOTE: SOME LOGS FEATURE ADDITIONAL FULL NOTCHES & HALF NOTCHES.**

- Before securing, ensure that the logs are fitted properly in their respective tongue and grooves, gently tapping down with a mallet. (*Detail A1 & A2*)



#### TOP TIP

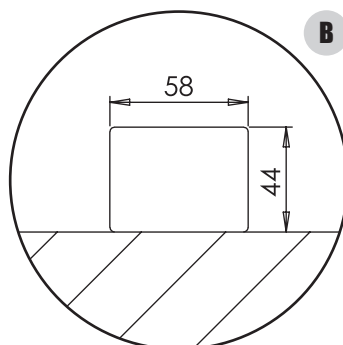
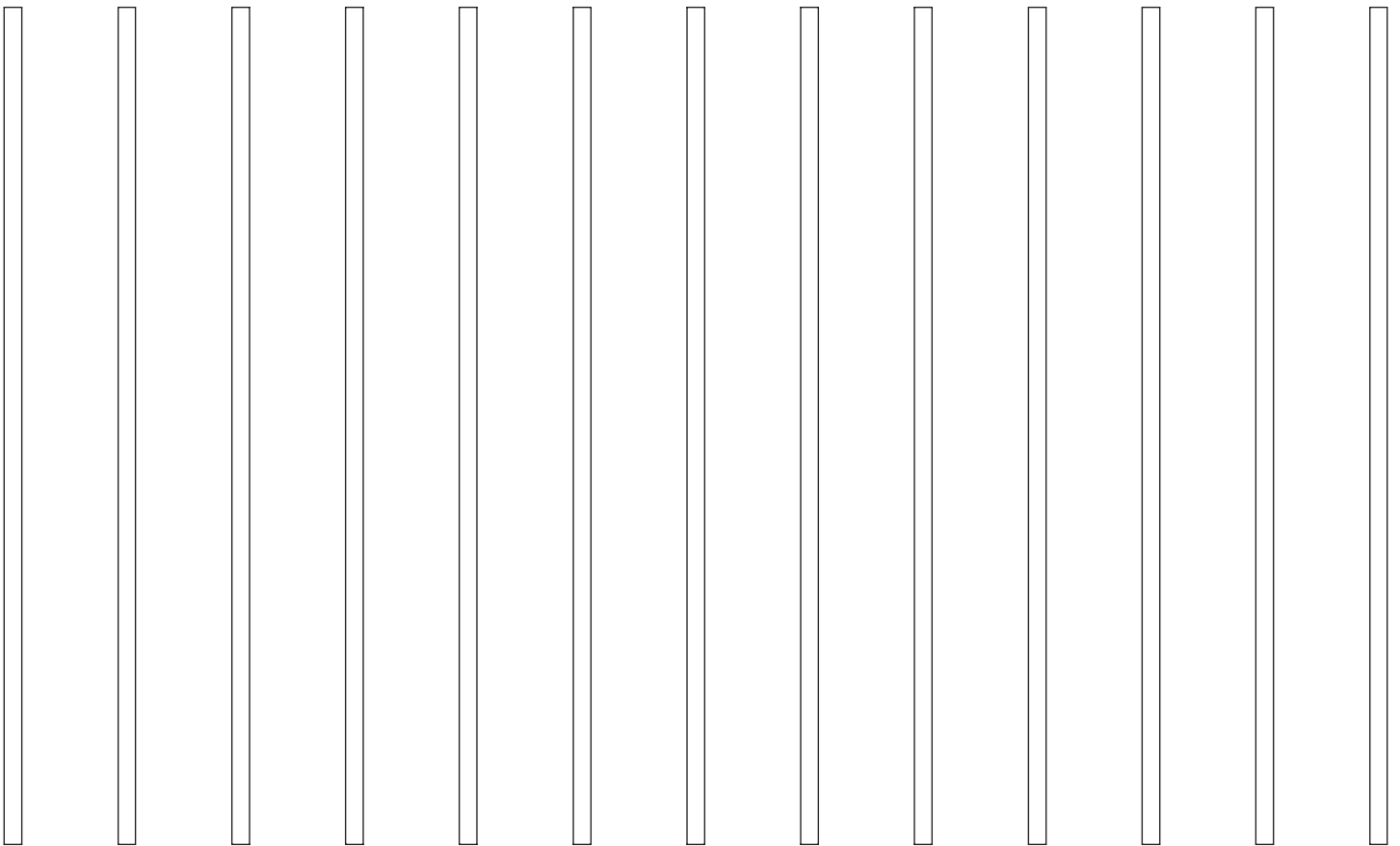
Use packing materials to protect when tapping logs into place.

## Step 2:

### LAY DOWN TANALISED BEARERS

- Refer to the floor plan of your construct diagram, position the tanalised bearers on prepared base.
- Spread out the tanalised bearers equally at approx. 400mm centres. *(Detail B For Orientation)*

**NOTE: ON LARGER CABINS, TANALISED BEARERS MAY BE SUPPLIED IN MORE THAN 1 PIECE. PLEASE REFER TO YOUR CONSTRUCT DIAGRAM FOR THIS.**

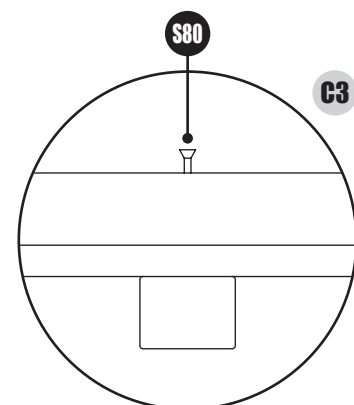
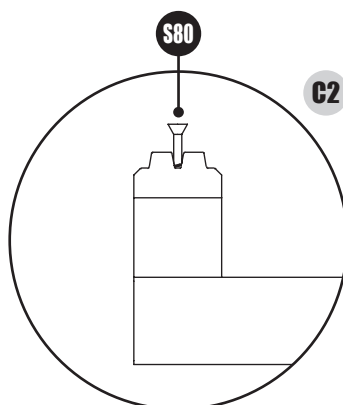
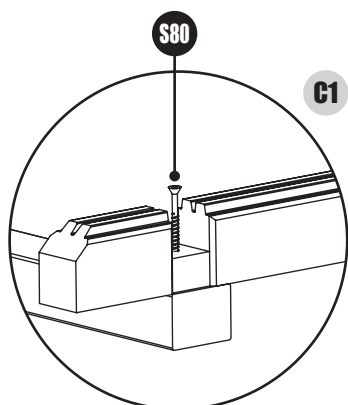
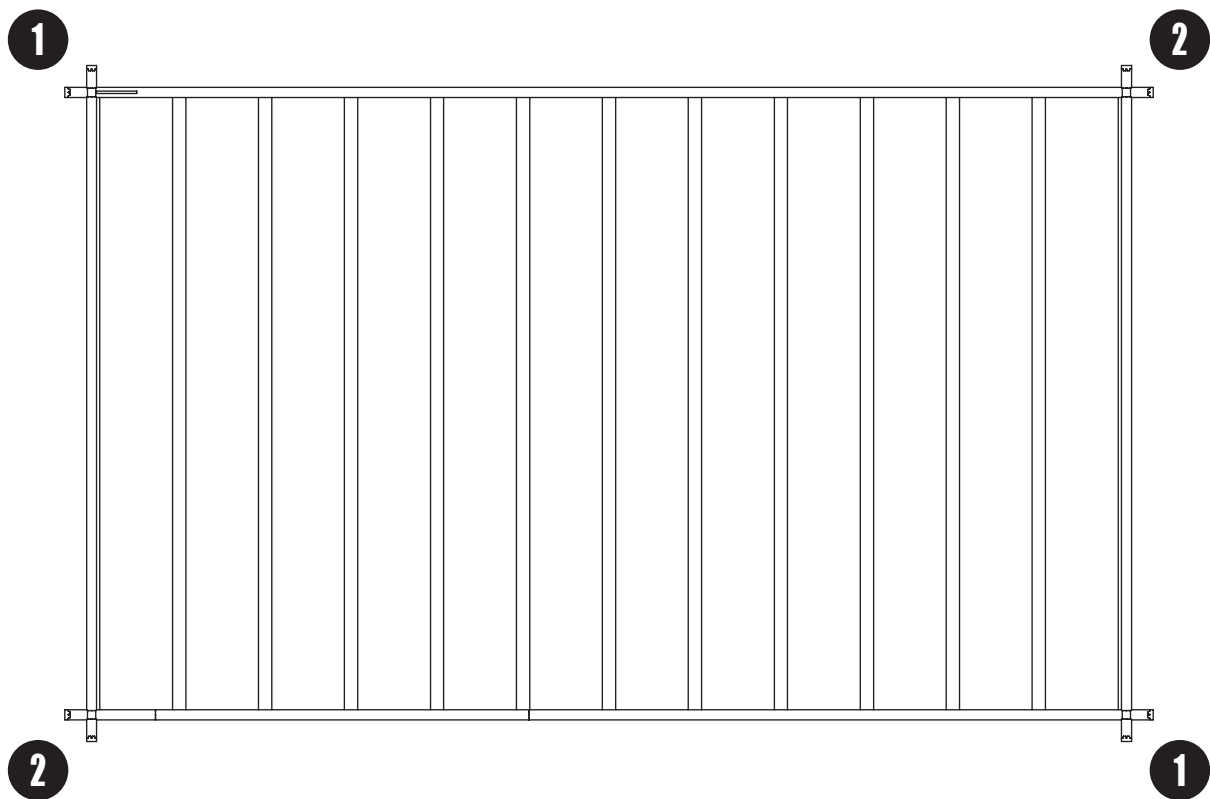


# TIGER STELLA LOG CABIN GENERAL INSTRUCTIONS

## Step 3:

### BEGIN BUILDING WALLS

- Place 1st layer of logs on the edges of the bearers. Ensure half logs are put down first. See construct diagram for build order.
- Measure corner to corner diagonally to make sure cabin floor is square. If both values are equal, your frame is square. Realign the floor until square. Do not trim.
- Screw logs into tanalised bearers using 3x S80 per log. (1x S80 in centre, 1x S80 per end notch)
- For fixing through notches. **(Detail C1)**
- For fixing through half log. **(Detail C2 & C3)**
- Check that floor is level using a spirit level.





# Step 4:

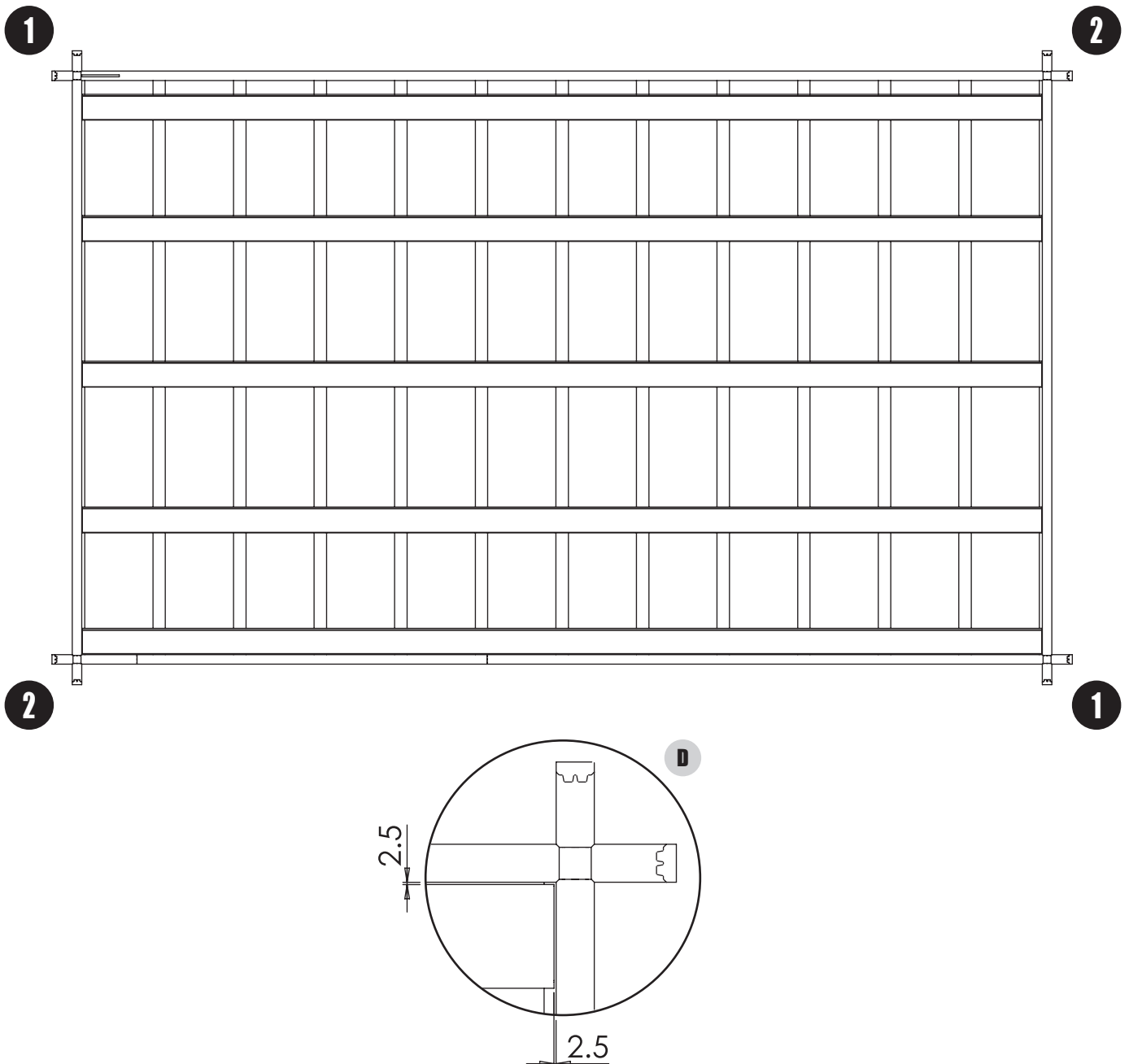
## SECURING FLOOR

- Check floorboards are correct size. Do not mix up with roof boards.
- Lay 5 floorboards in position and tack in place. Leave approx. 2.5mm gap between the edge of the floorboards and the inside of external walls. **(Detail D)**

**NOTE: DO NOT FULLY SECURE AS THESE ARE ONLY TO KEEP THE FLOOR SQUARE WHILE BUILDING THE LOG CABIN.\***

- Measure corner to corner diagonally to make sure cabin floor is square. If both values are equal, your frame is square. Realign the floor until square. Do not trim.

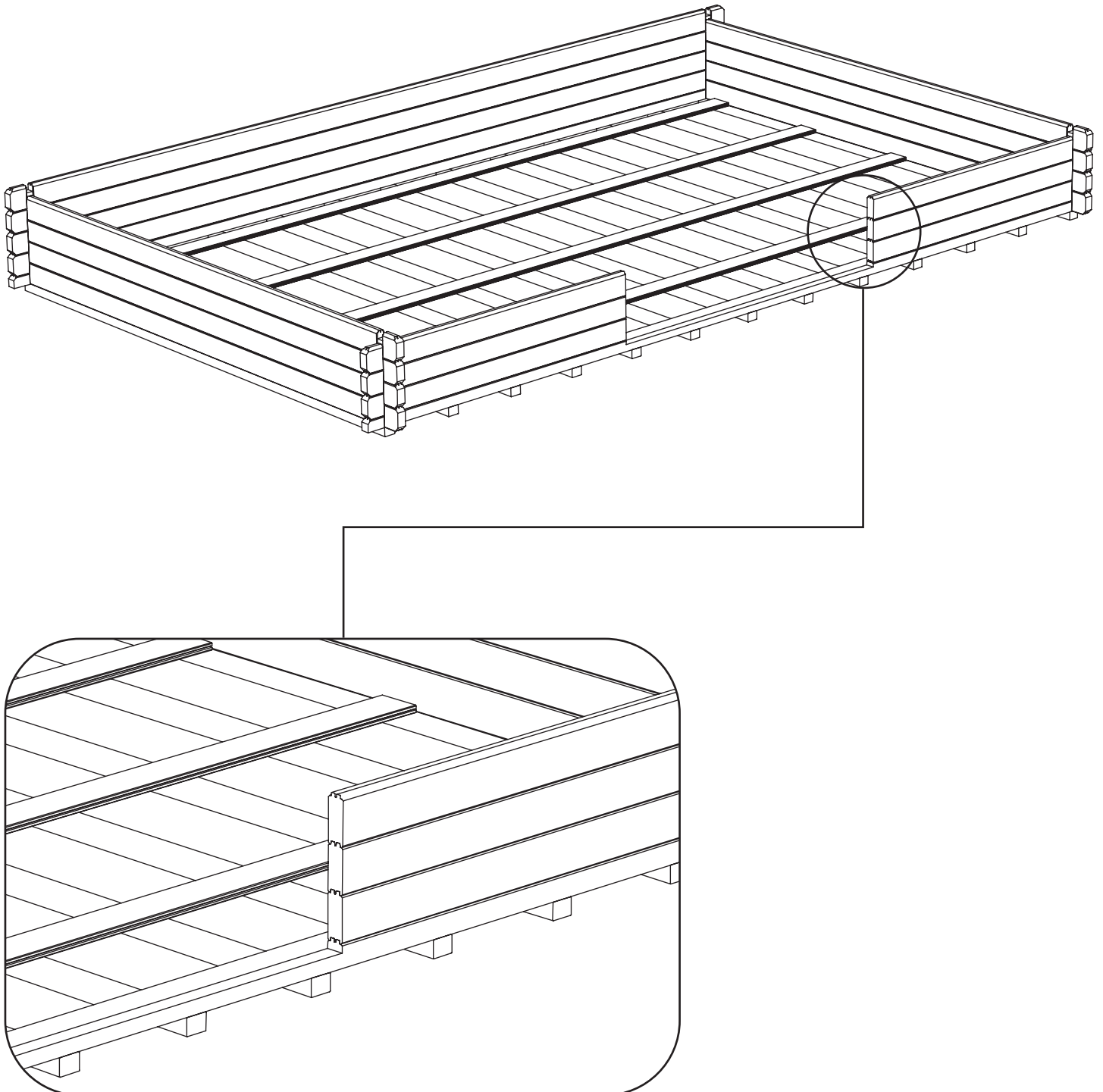
\*For cabins with internal partition, the floorboards will need to be fully installed at this stage to allow partition base logs to be installed. Please jump to Step 13 for details.



## Step 5:

### CONTINUE TO BUILD WALLS

- Using construct diagram as a guide, begin to build up the walls by interlocking the logs layer by layer until 3 logs high.
- At this point, store remaining floorboards inside the cabin ready for installation. You may not be able to fit floorboards through the door once cabin has been built.



## Step 6:

### INSTALL DOORS & WINDOWS

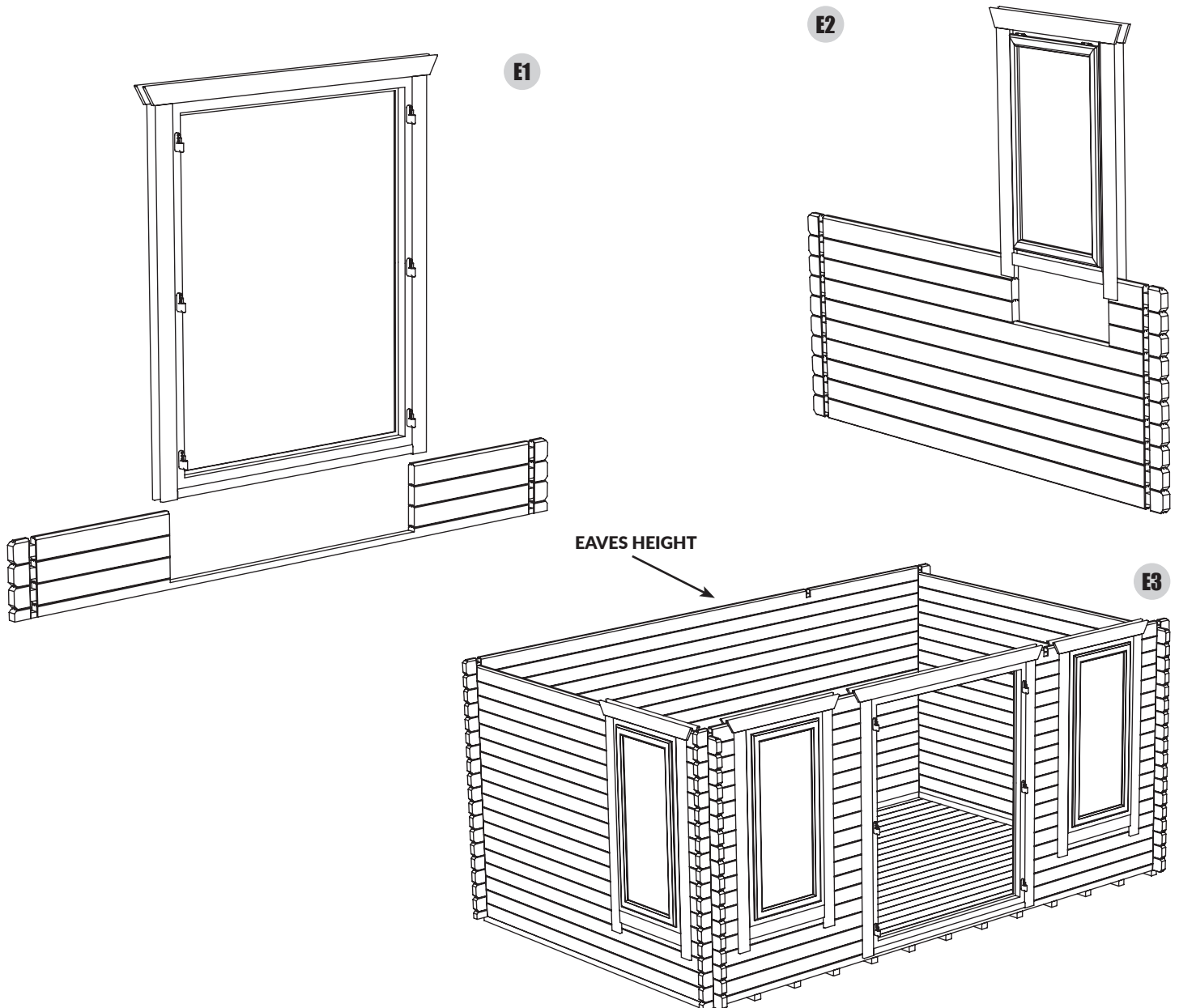
- Take the PVC door frame and slide over the logs until fully inserted.
- Position centrally within opening. This will leave a gap either side for settling. **(Detail E1)**
- Continue adding more layers of logs until you reach 3 logs past window height, before slotting the windows into position. **(Detail E2)**
- Position centrally within opening. This will leave a gap either side for settling.

**NOTE: WINDOWS CAN BE VERY HEAVY, PLEASE TAKE CARE WHEN LIFTING INTO PLACE.**

**NOTE: IF YOUR BASE IS NOT FIRM AND LEVEL THEN THIS CAN CAUSE THE DOORS AND WINDOWS TO TWIST OR TO GO OUT OF SQUARE. USE A SPIRIT LEVEL TO CHECK.**

**DO NOT FIX THE DOORS OR WINDOWS IN PLACE AT THIS STAGE**

- Continue to build up your cabin to eaves height. **(Detail E3)**



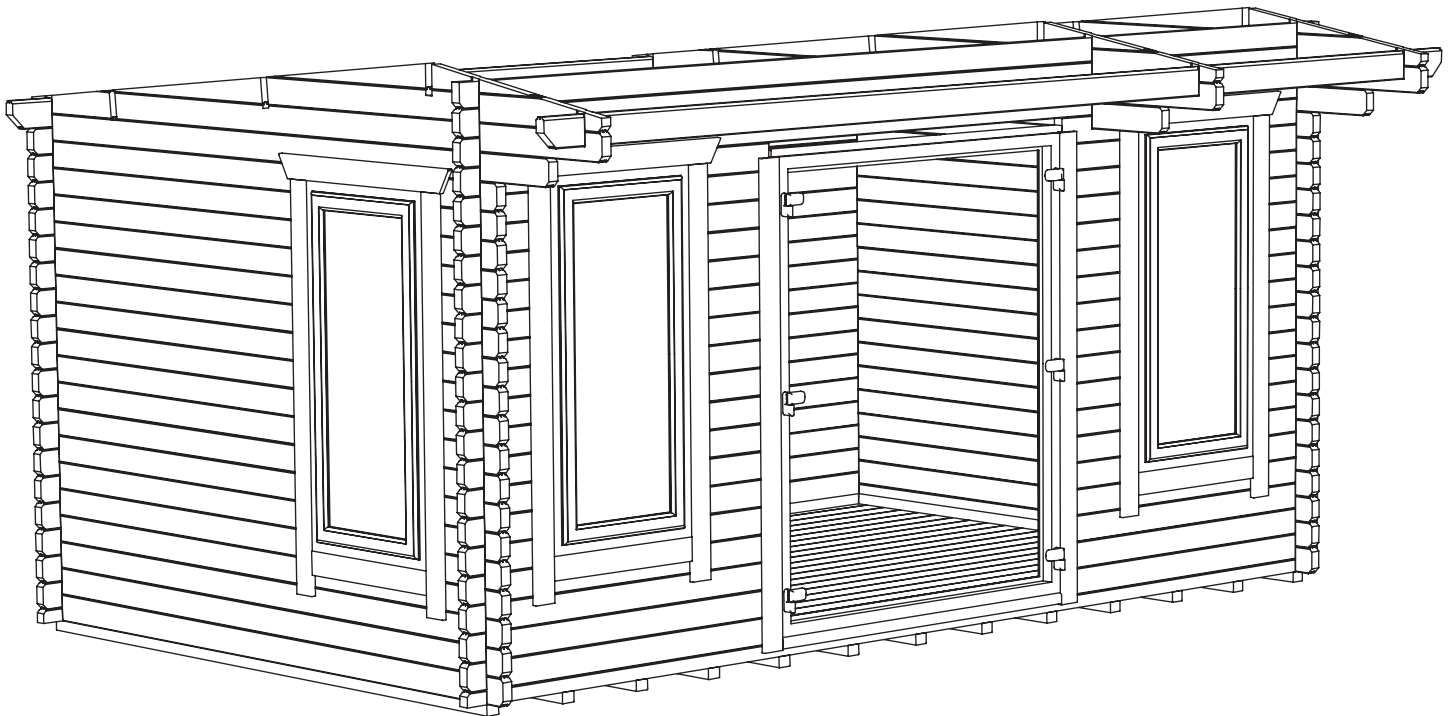
# TIGER STELLA LOG CABIN GENERAL INSTRUCTIONS

## Step 7:

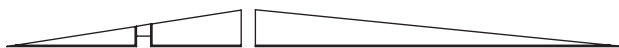
### INSTALL GABLE TOPS

- Unscrew hipex gable top as shown. Keep screws in a safe place.
- Install hipex gable tops. Place **1** on top of the final side logs.
- Fit logs to high and low side of cabin as shown.
- Repeat the process for **2 3 4** logs from pent hipex gable top. Build up logs on high side to complete this wall.
- Secure hipex gable top back together using previously removed screws.

**NOTE: LARGER CABINS MAY HAVE ADDITIONAL TRUSSES TO SUPPORT ROOF.  
PLEASE REFER TO YOUR CONSTRUCT DIAGRAM.**

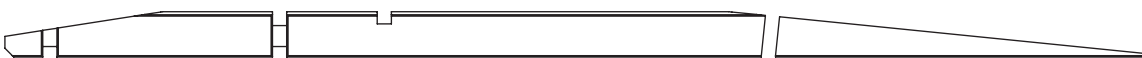


**4.1**



**4.2**

**3**

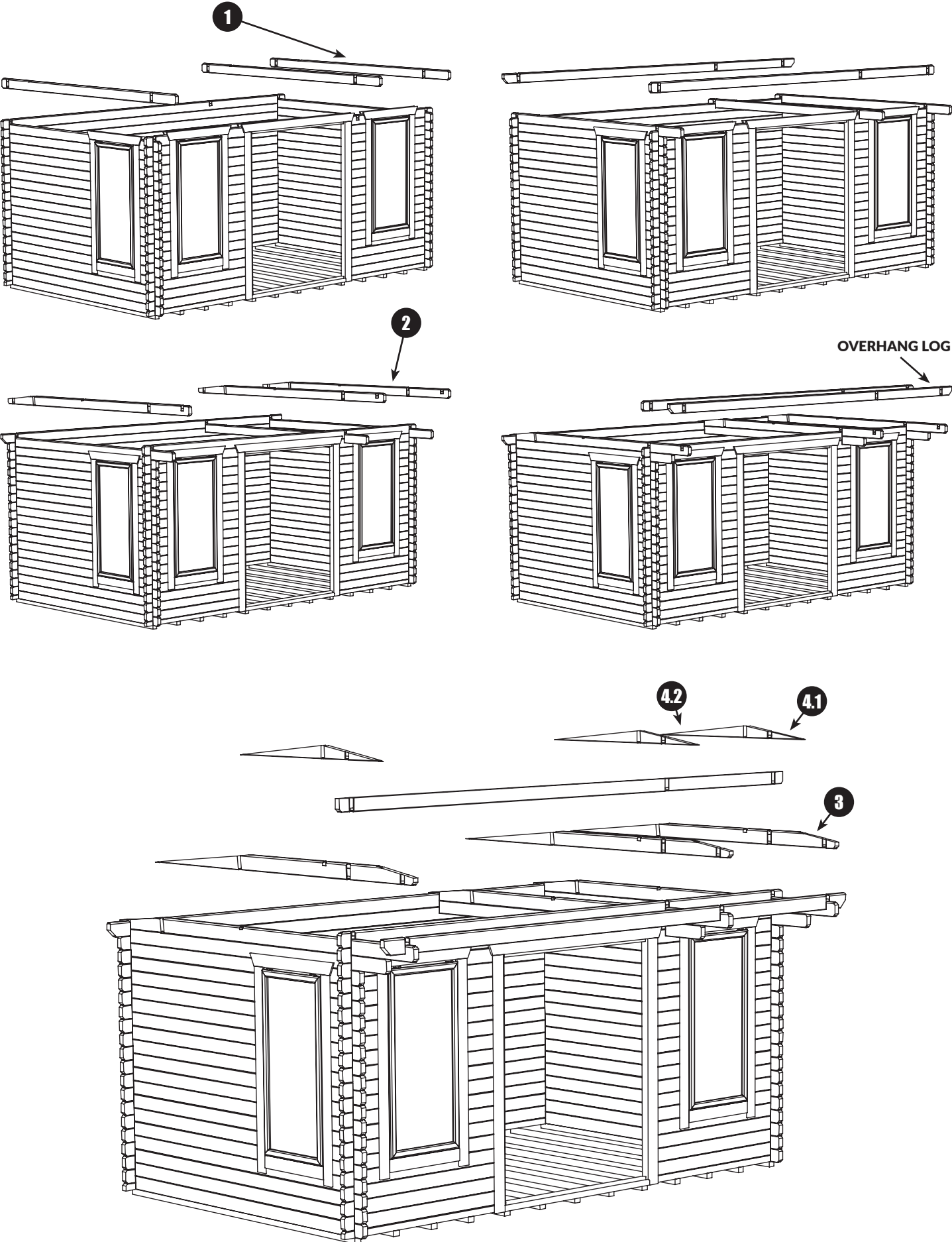


**2**



**1**





## Step 8:

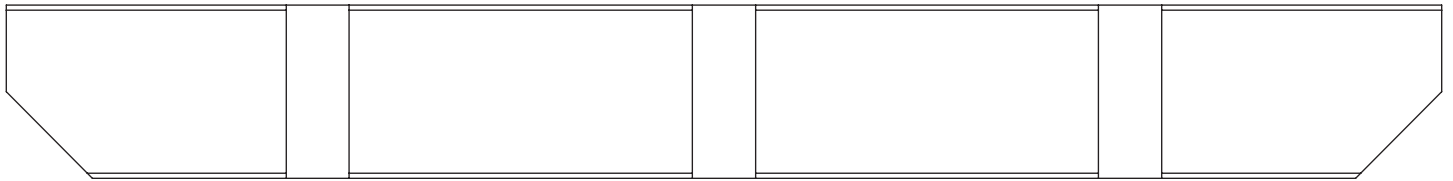
### INSTALL PURLINS

- Position the purlins with the angled cuts to the bottom. **(Detail F1)**  
Ensure notches in purlins line up with gable tops.
- Secure the purlins into the gable tops using 2x N65 per purlin per gable top. **(Detail F2)**
- Repeat for all purlin and gable top joins.

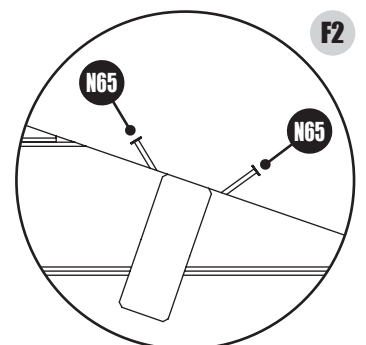
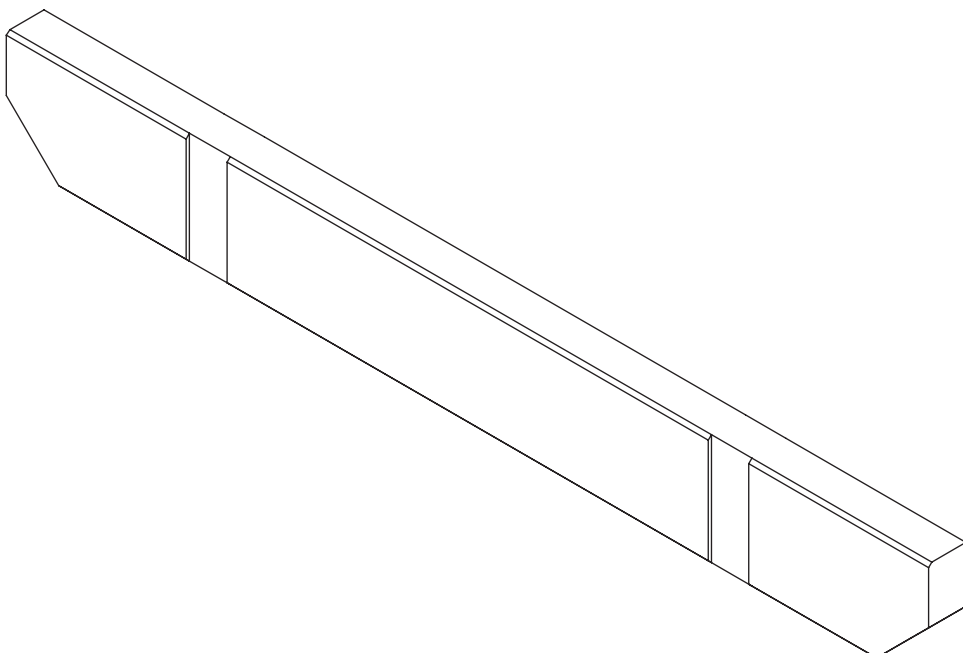


STANDARD PURLIN

F1



STANDARD PURLIN WITH EXTRA NOTCH(ES)

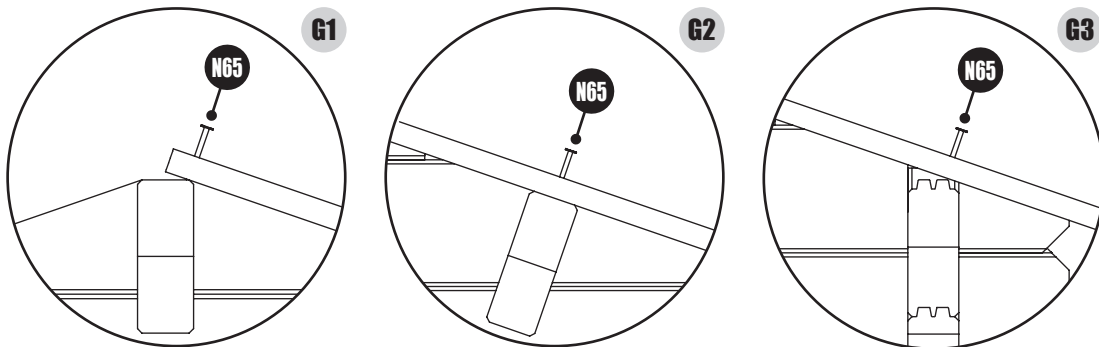


F2

## Step 9:

### INSTALL ROOF BOARDS

- Before installing the roof boards, check that the cabin is square both vertically & horizontally. Adjust if required.
- Position a tongue & groove roof board flush with purlin at one end of roof.
  - Fix through apex purlin using 2x N65 per board. **(Detail G1)**
  - Fix through one additional purlin using 2x N65 per board. **(Detail G2)**
  - Fix through side top logs using 2x N65 per board. **(Detail G3)**
- Continue working across roof, repeating the steps above.
- The final roof board may need trimming to sit flush with purlin at end.



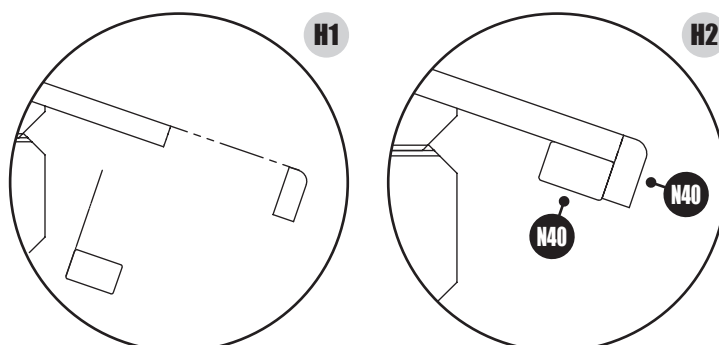
**CRITICAL!: ALL ROOF BOARDS MUST HAVE 2X N65 PER FIXING POINT AS OUTLINED ABOVE.**

## Step 10:

### INSTALL ROOF BATTEN AND SKIRTING

- Fix roof batten onto the underside of roof boards on low side using 6x N40, evenly spaced along length. Finish with a piece of skirting, attached using 6x N40, evenly spaced along length. **(Detail H1 & H2)**

**NOTE: ROOF BATTENS AND SKIRTING MAY COME IN MORE THAN 1 SECTION.**



# TIGER STELLA LOG CABIN GENERAL INSTRUCTIONS

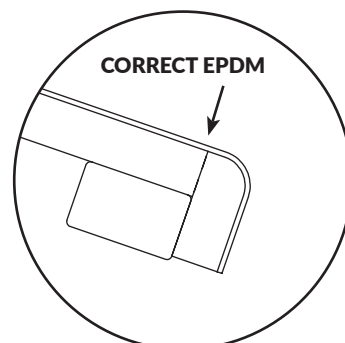
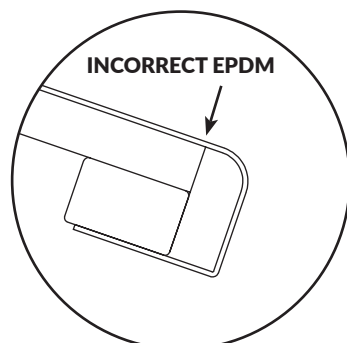
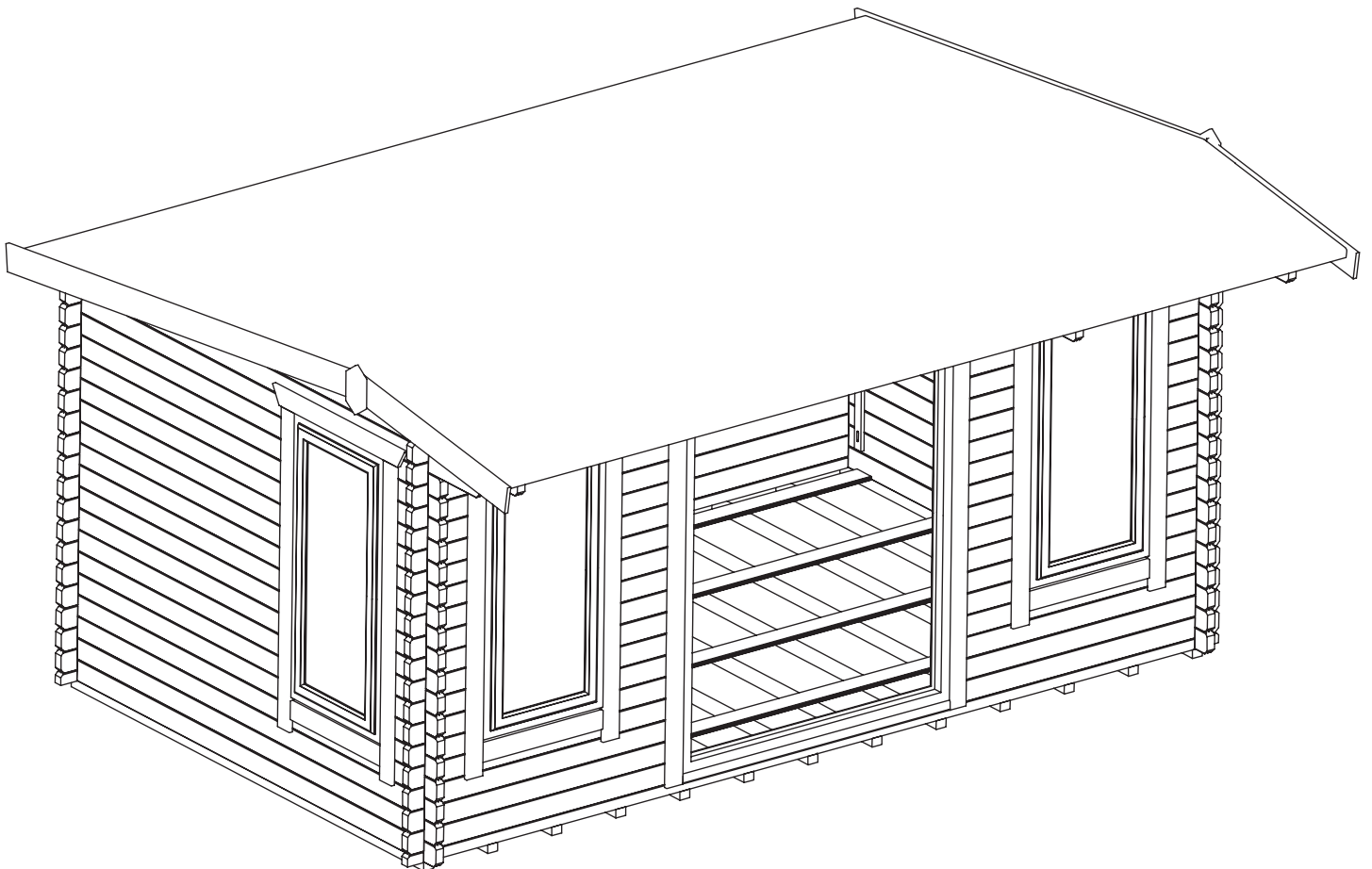
## Step 11:

### INSTALL RUBBER ROOF

- Place membrane over roof, ensuring you have full coverage. Allow to relax for 30 minutes.
- Fold half the membrane back on itself and apply water-based adhesive to the roof panel using roller, leaving approx. 100mm perimeter. Repeat process for the other half.

**NOTE: WE RECOMMEND WEARING PROTECTIVE LATEX GLOVES FOR WHEN APPLYING WATER-BASED ADHESIVE.**

- Using a broom, brush over the surface of the membrane to ease out any creases or bubbles.
- Trim off any excess membrane around the edges, leaving approx. 50mm overhang. Apply the spray adhesive to the 100mm perimeter of building and back of the membrane. Allow to dry before sealing down. (Will feel tacky to touch)



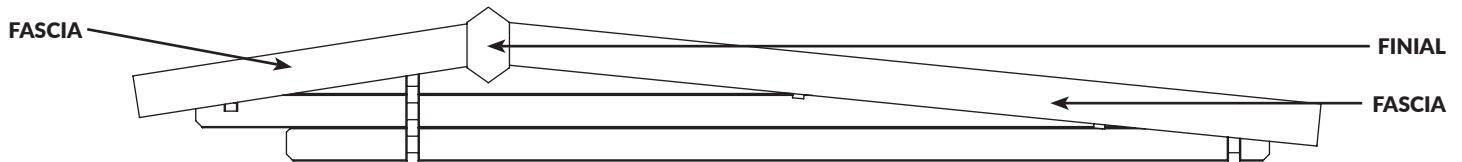


## Step 12:

### ATTACH ROOF FASCIA BOARDS (BARGEBOARDS) & FINIAL

- Attach roof fascias using 4x N40 per fascia board. Nail through top purlin and bottom roof batten. Complete the look with finials over the join at apex. Secure using 2x N40 per finial.

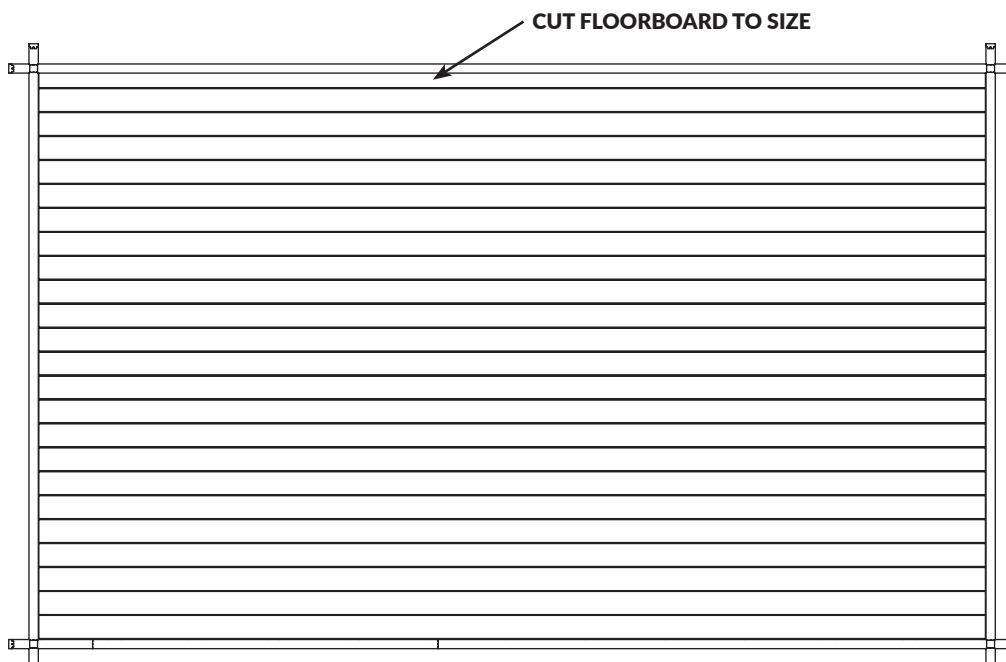
**NOTE: THERE ARE NO BARGEBOARDS SUPPLIED FOR LOW SIDE OF ROOF AS THIS WILL PREVENT EFFECTIVE WATER DRAINAGE.**



## Step 13:

### LAY FLOORBOARDS

- Start to lay the floorboards. There should be a 2.5mm gap between the edge of the floorboards and the outer logs to allow for expansion and contraction.
- Nail the floorboards to the tanalised bearers below with 2x BA40 evenly spaced per floorboard per tanalised bearer.
- The last board will need cutting down to size. If installing any partitions, please return to Step 6.

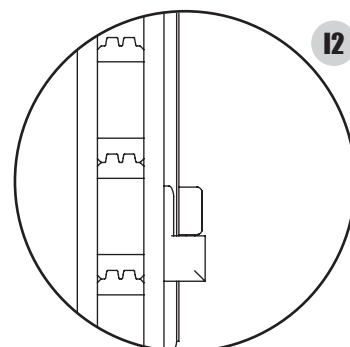
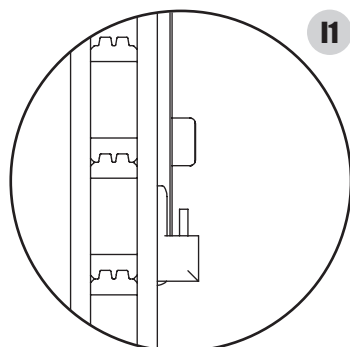
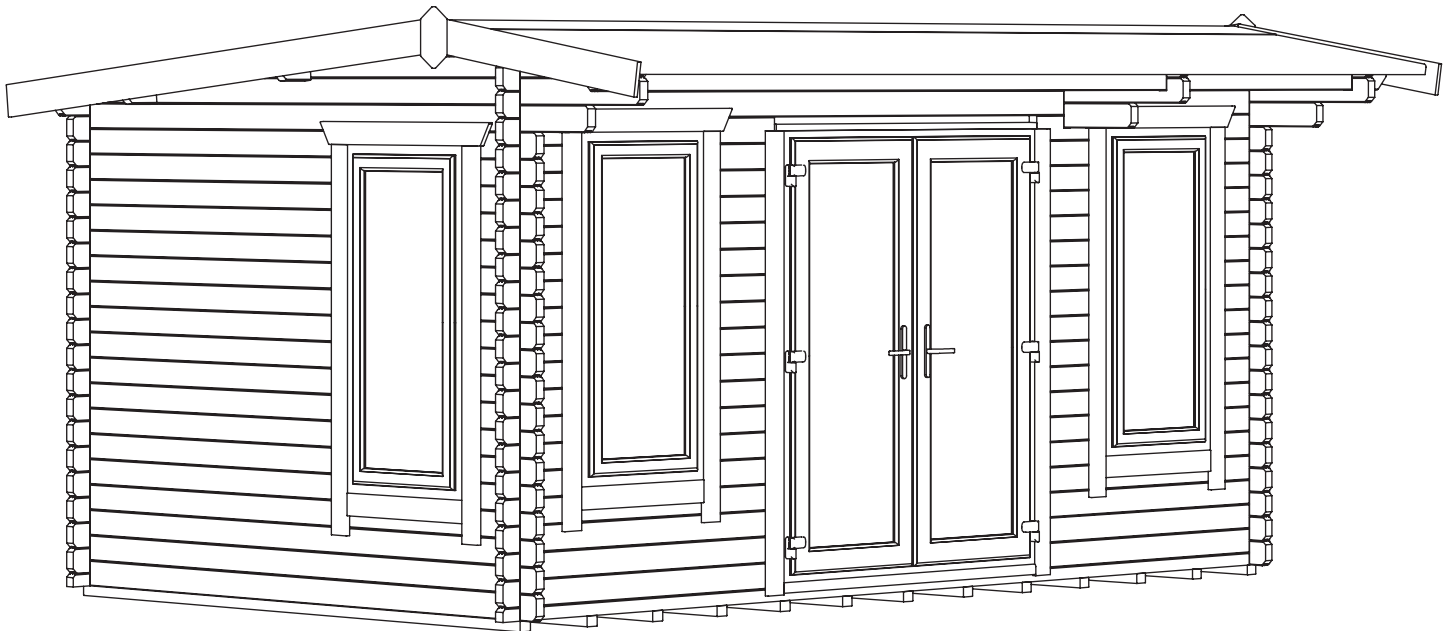


## Step 14:

### FIT PVC DOORS

- Lift Left Hand Door into place. Locate the upright pins on door frames with holes on door panels. *(Detail I1 & I2)*
- Repeat process for Right Hand Door.
- Adjust doors using screw in framing to make sure doors are square and operate correctly.

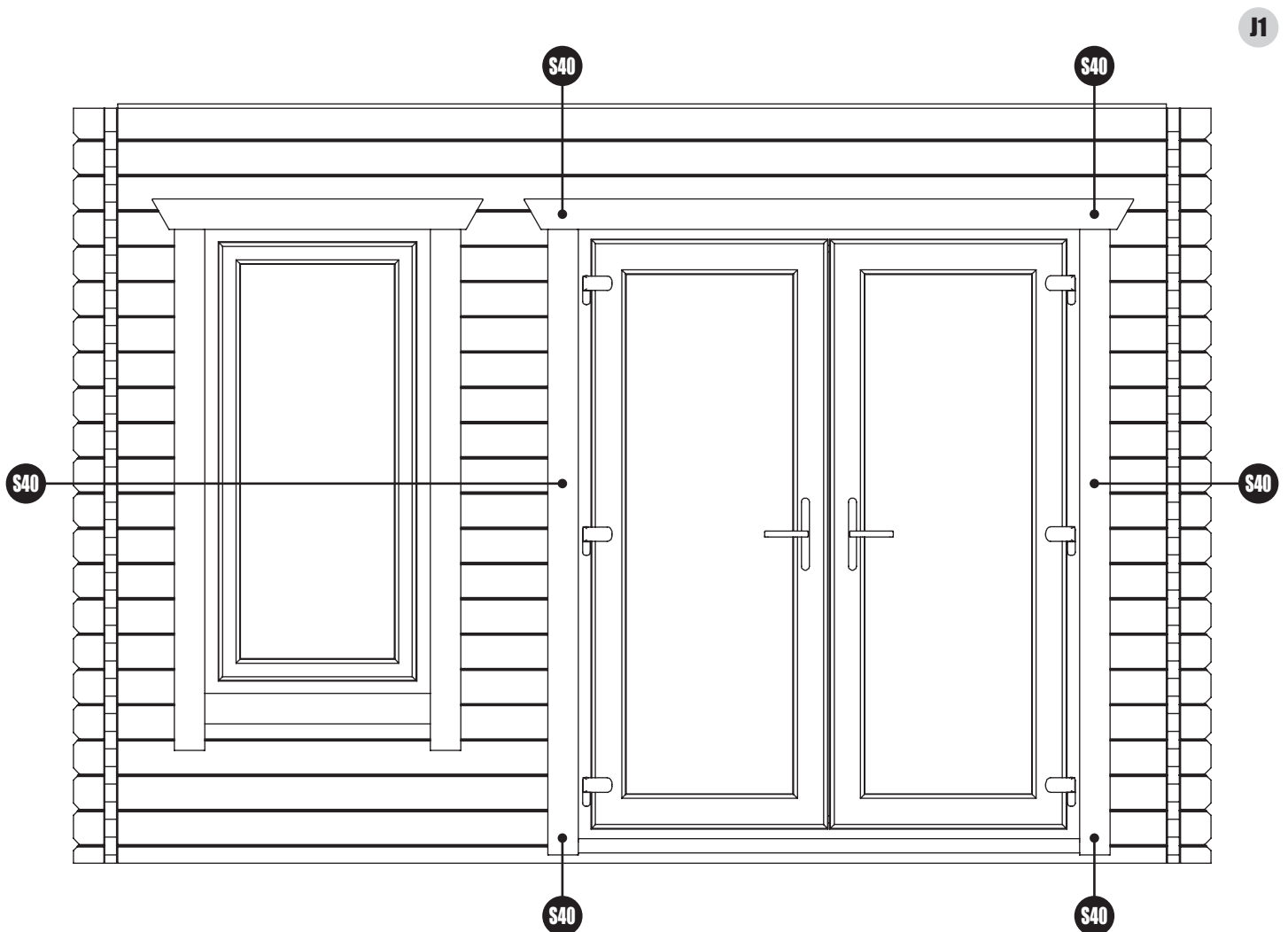
**NOTE: DOORS CAN BE VERY HEAVY, PLEASE TAKE CARE WHEN LIFTING INTO PLACE.**



## Step 15:

### FIXING DOORS AND WINDOWS

- Check the doors are square and screw the fascia boards, both internally and externally, into the logs behind with 6x S40 evenly spaced as shown. **(Detail J1)**
- Repeat process for all remaining doors and windows in your cabin.



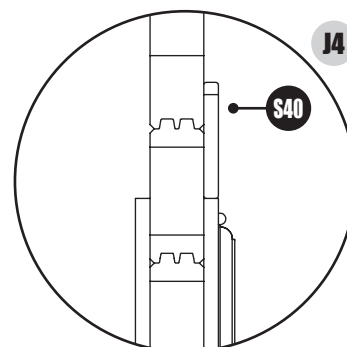
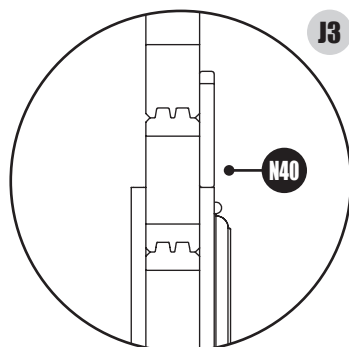
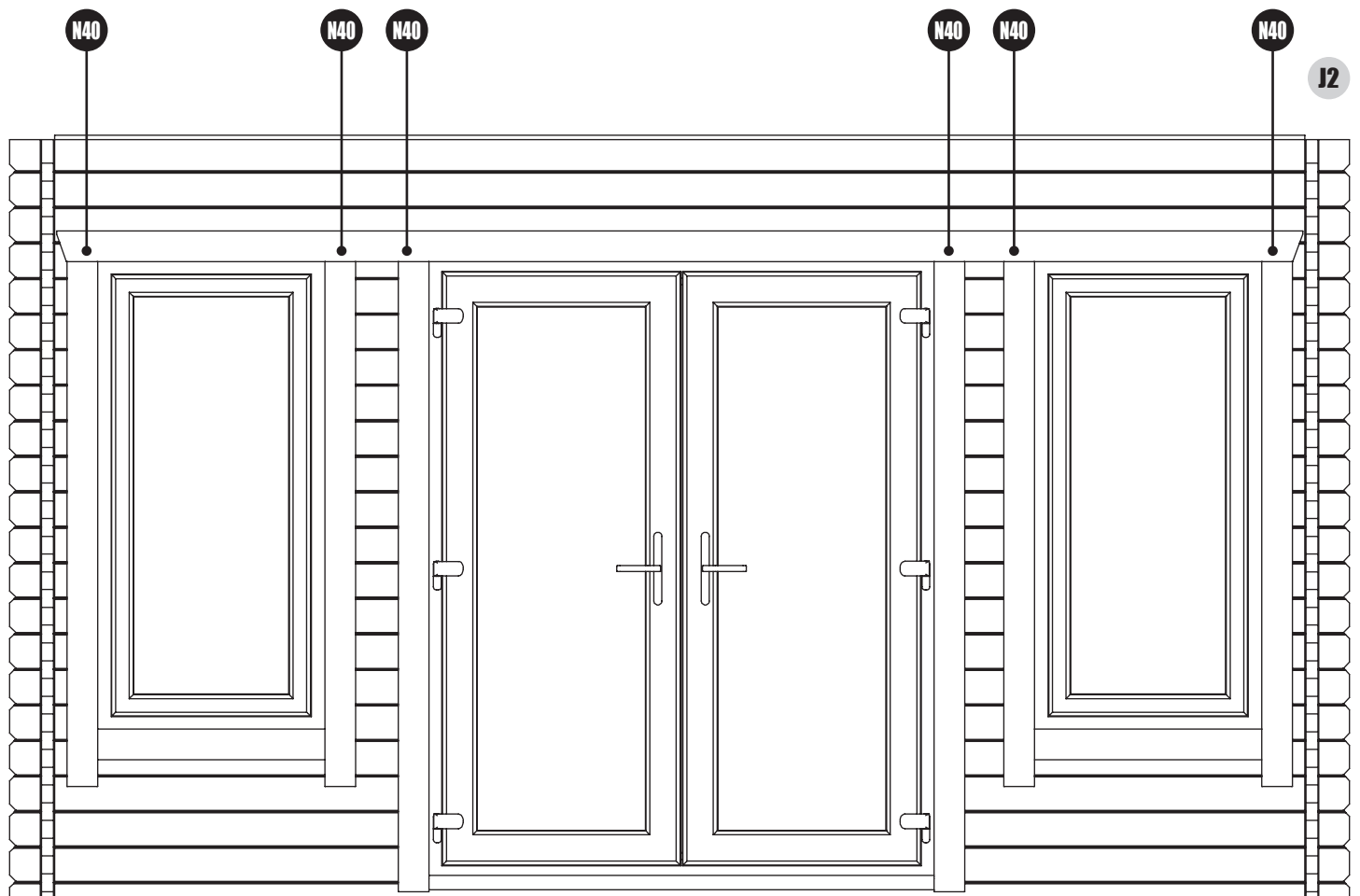
*Timber is a natural product; any log or board can expand and contract. This may cause slight gapping in the log cabin which can be rectified by un-screwing and re-screwing fascia boards over the course of the year.*

# TIGER STELLA LOG CABIN GENERAL INSTRUCTIONS

## Step 15b:

### FOR 14FT CABINS WITH SINGLE PIECE HEADER FASCIAS

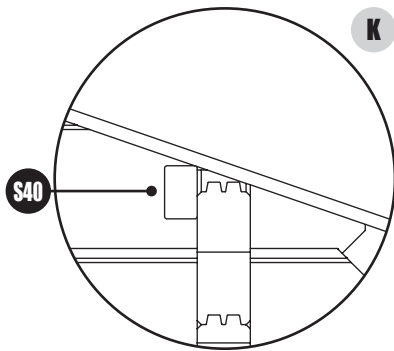
- Check the doors are square.
- Attach single piece header fascia to door and window frames as shown using 2x N40 per frame. **(Detail J2 & J3)**
- Secure into logs behind using 4x S40 evenly spaced per single piece header fascia. **(Detail J4)**
- Repeat for internal single piece header fascia.
- Secure the remaining fascia boards, both internally and externally, into the logs behind with 6x S40 evenly spaced as shown for doors and windows. **(Detail J1)**



## Step 16:

### INSTALL INTERNAL ROOF BATTENS

- Fix internal roof battens to the top side logs using 4x S40 evenly spaced along the batten as shown. *(Detail K)*
- These will seal roof and side walls.

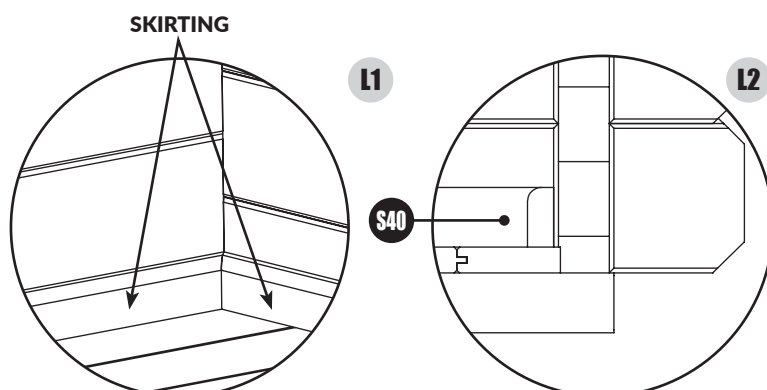


## Step 17:

### FIT INTERNAL SKIRTING

- Arrange the skirting around the outside edge of floor (internally), measure and cut down if required to best match the internal space.
- Secure each skirting section into place using 3x S40 evenly spaced along the length. *(Detail L1 & L2)*

**NOTE: DO NOT FIX THE SKIRTING TO THE FLOORBOARDS.**



# TIGER STELLA LOG CABIN GENERAL INSTRUCTIONS

## Step 18:

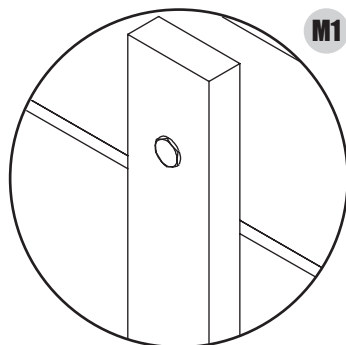
### ATTACH STORM BRACES

- Fix storm braces to the inside of gables with 2x CB40 provided. Always leave the bottom CB40 slack enough to let the storm brace move as the cabin expands and contracts. *(Detail M1 & M2)*

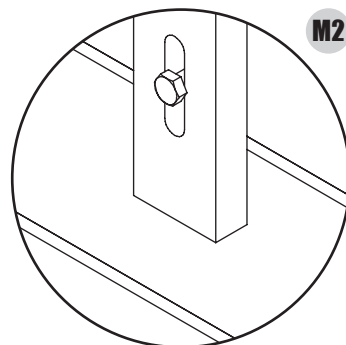
**NOTE: ENSURE THE STORM BRACES ARE SECURED INTO THE GABLE TOP ON EACH SIDE.**



STORM BRACE



M1



M2





**Head Office**

Calverley Lane,  
Rodley,  
Leeds,  
West Yorkshire,  
LS13 1NP

---

Telephone: 0113 205 4189  
Website: [tigersheds.com](http://tigersheds.com)  
Email: [customersupport@tigersheds.com](mailto:customersupport@tigersheds.com)



**SCAN CODE!**  
TO VIEW GENERAL ASSEMBLY  
GUIDE FOR HIPEX ROOF CABIN



**SCAN CODE!**  
TO SEE GENERAL ACCESSORY &  
INSTALLATION VIDEO LIBRARY

