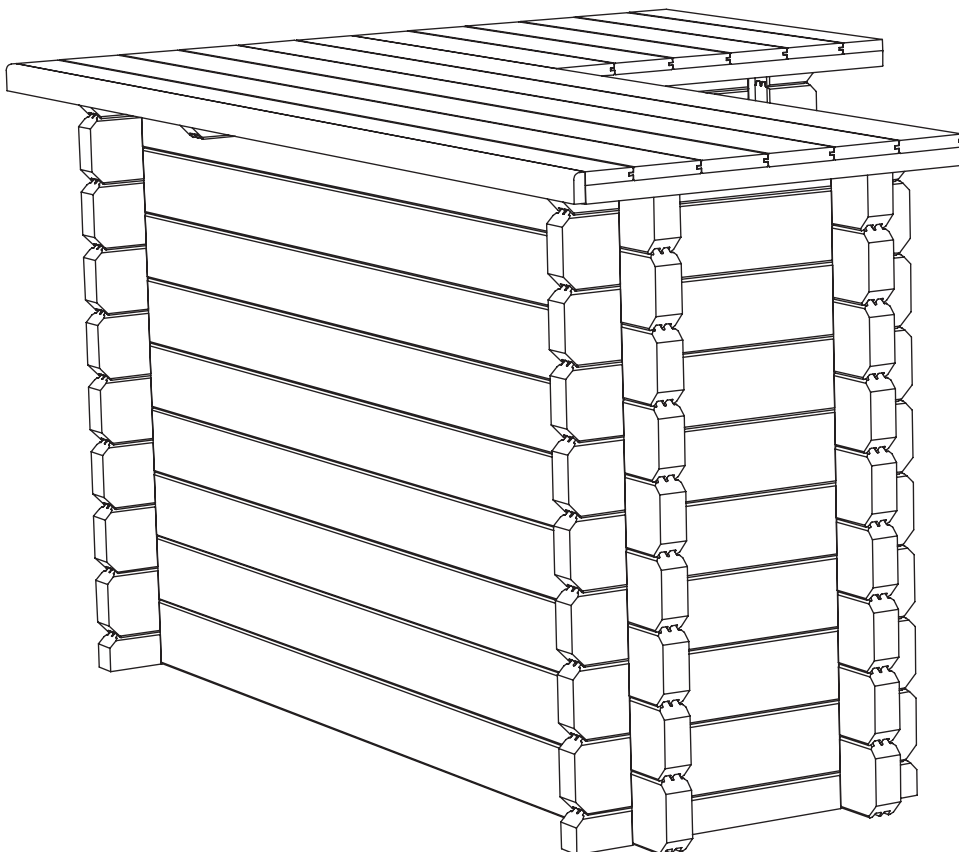


TIGER CORNER BAR

GENERAL ASSEMBLY INSTRUCTIONS



BEFORE YOU GET STARTED

PLEASE READ INSTRUCTIONS CAREFULLY

- Check the pack and make sure you have all the parts listed.
- When you are ready to start, make sure you have the right tools at hand (not supplied).
- Ensure there is plenty of space and a clean dry area for assembly.

TIMBER

As with all natural materials, timber can be affected during various weather conditions. For the duration of heavy or extended periods of rain, swelling of the wood logs may occur. Warping of the wood may also occur during excessive dry spells due to an interior moisture loss. Unfortunately, these processes cannot be avoided but can be mitigated. It is suggested that the outdoor building is sprayed with water during extended periods of warm sunshine and sheltered as much as possible during rain or snow.



SUMMER
CONTRACTION



WINTER
EXPANSION



WOOD WARPING
MAY OCCUR

Please do not paint or treat your cabin timbers before assembly as they must stay dry for a snug tongue and groove fit. To validate your guarantee and ensure longevity of the product, it is ESSENTIAL that your building is treated with an appropriate high-quality oil or solvent based preservative AFTER assembly, both internally and externally, then annually thereafter.



The mark of
responsible forestry
FSC® C125286



MADE IN THE UK SINCE 1913.
We have been making our high quality,
great value garden buildings here in
Britain for decades.

CAUTION:

All buildings should be erected
by two competent adults.



CAUTION:

It is advisable to wear safety
gloves during building installation.



Whilst all products manufactured are made to the highest standards of safety, we cannot accept responsibility for your safety whilst erecting or using this product.

TOOLS REQUIRED

We recommend using the following tools (not supplied):



RUBBER MALLET



SCREWDRIVER +



DRILL

FIXING KIT CONTENTS:



Screws (40mm - QTY 18 - Corner Bar)



Screws (40mm - QTY 10 - Rectangular Bar)



SCAN CODE!

TO SEE GENERAL ACCESSORY & INSTALLATION VIDEO LIBRARY

ASSEMBLY

- Assembly is straightforward if you follow these step-by-step instructions.
- We recommend getting everything aligned properly before screwing together and that screw holes should be pre-drilled to avoid splitting the timber. (Do not come pre-drilled).

IMPORTANT

- Please carefully remove the packaging and unpack the components in your delivery.
NOTE: ADDITIONAL TIMBER MAY BE INCLUDED AS PACKING MATERIALS.
- **DO NOT** start your build until you have checked that all the parts of your building are present and in a suitable condition.
- If you are organising a third party to install your building, it is best practice not to schedule this immediately on receipt of your order, to give you time to check your delivery.

TIGER CORNER BAR GENERAL INSTRUCTIONS

Step 1:

BUILD BASE LAYER

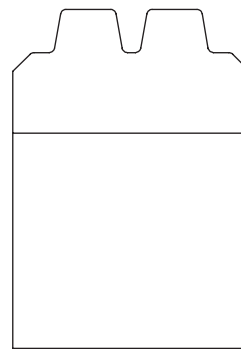
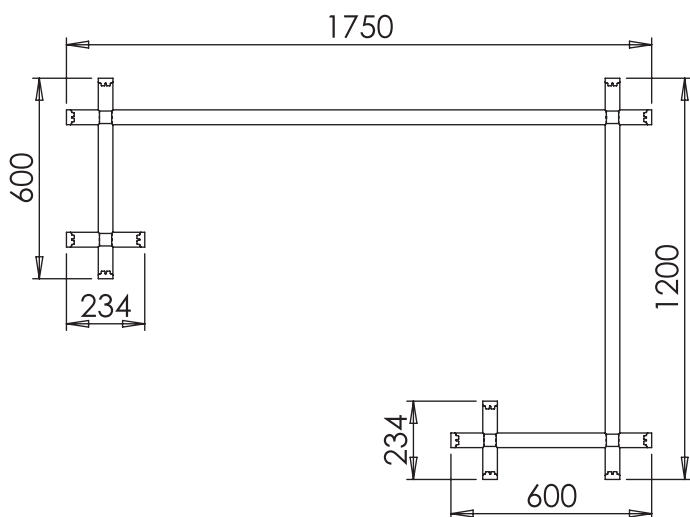
- Layout logs as shown.
- Make sure ground is firm and level before construction.

NOTE: CHECK YOU HAVE THE CORRECT HALF LOGS.

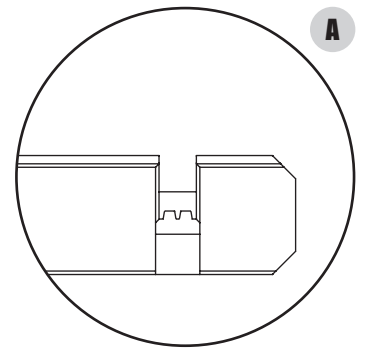
SEE PROFILE VIEW 1 FOR FLOOR LEVEL HALF LOGS. (DETAIL A)

TOP TIP

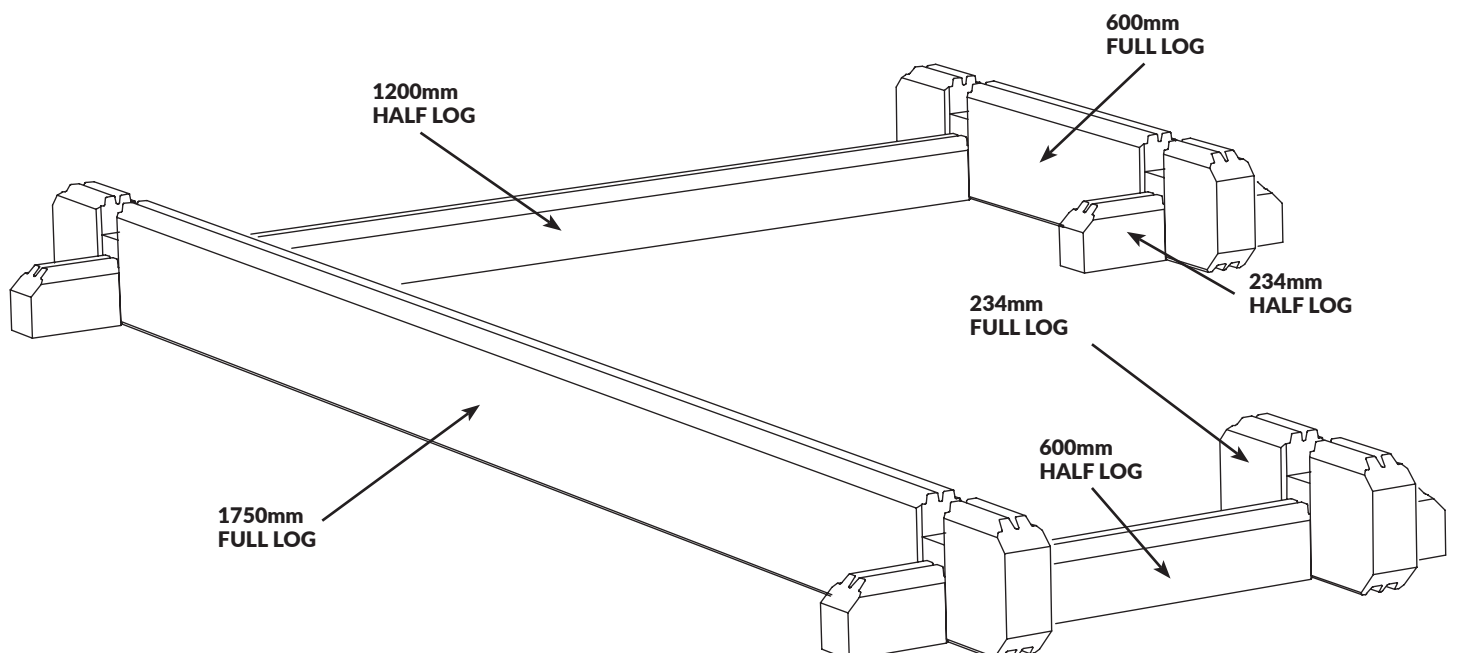
Tiger Corner bar can be assembled with the side bar section to the left by simply mirroring the plan view shown below.



PROFILE VIEW 1



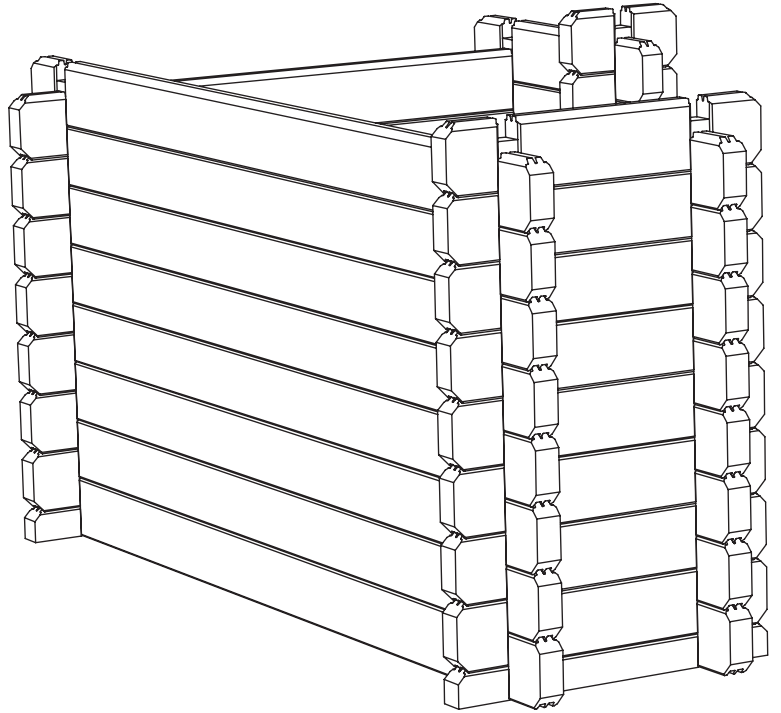
A



Step 2:

BUILD SIDE

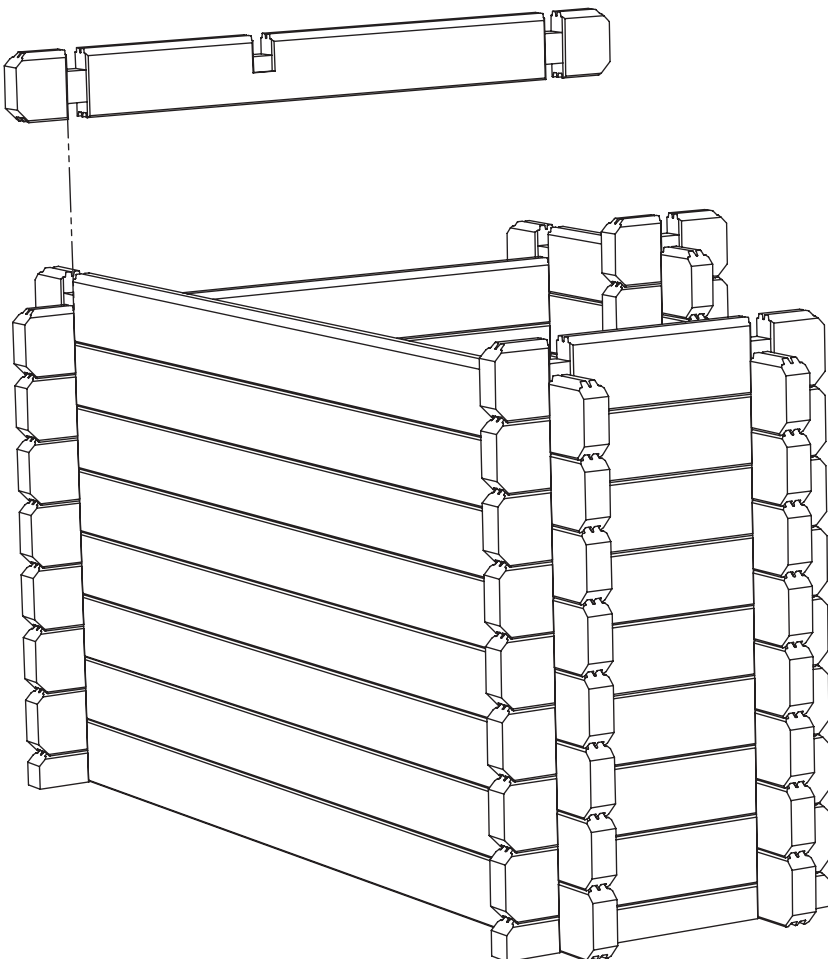
- Continue to build side using full size logs as shown.



Step 3:

INSTALL TOP LOGS - PT1

- Install 1200mm Top Notch Log as shown.
NOTE: CHECK THAT NOTCHES LINE UP CORRECTLY.



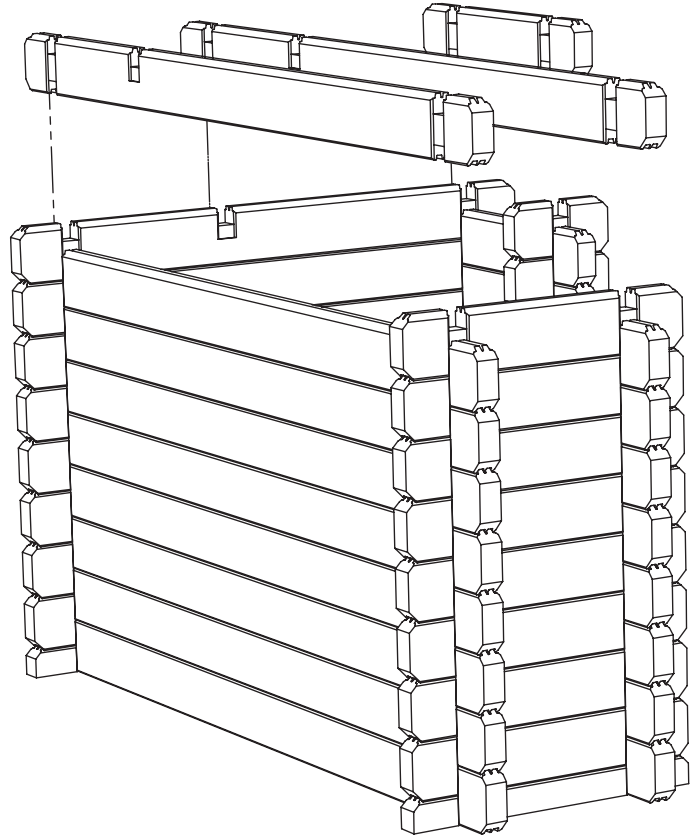
TIGER CORNER BAR GENERAL INSTRUCTIONS

Step 4:

INSTALL TOP LOGS - PT2

- Install x2 1750mm Top Notch Logs & x1 600mm Full Log as shown.

NOTE: CHECK THAT NOTCHES LINE UP CORRECTLY.

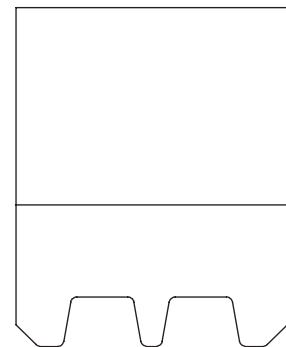
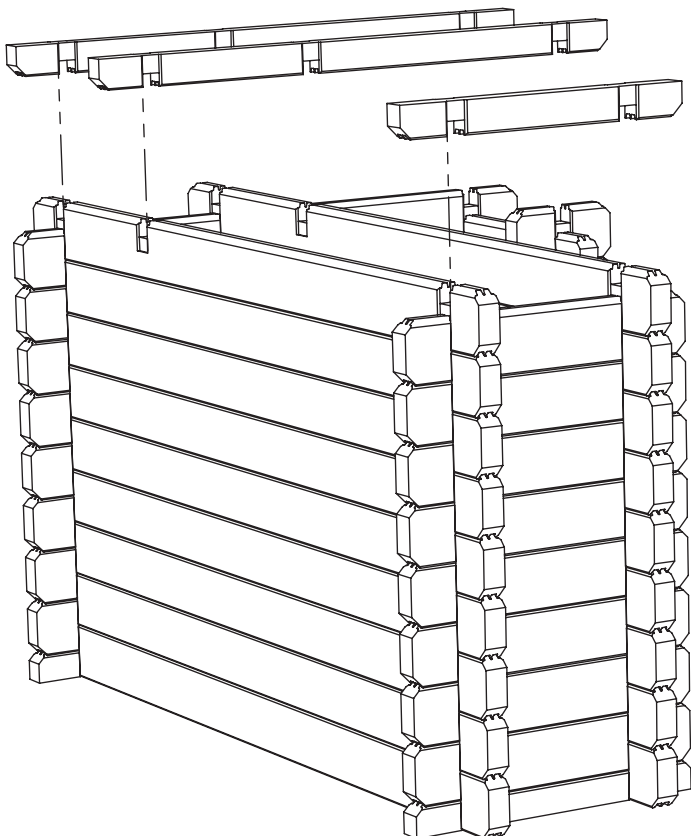


Step 5:

INSTALL TOP HALF LOGS

- Install x2 1200mm Notched Half Logs & x1 600mm Half Log as shown. (See profile view 2)

NOTE: CHECK THAT NOTCHES LINE UP CORRECTLY.

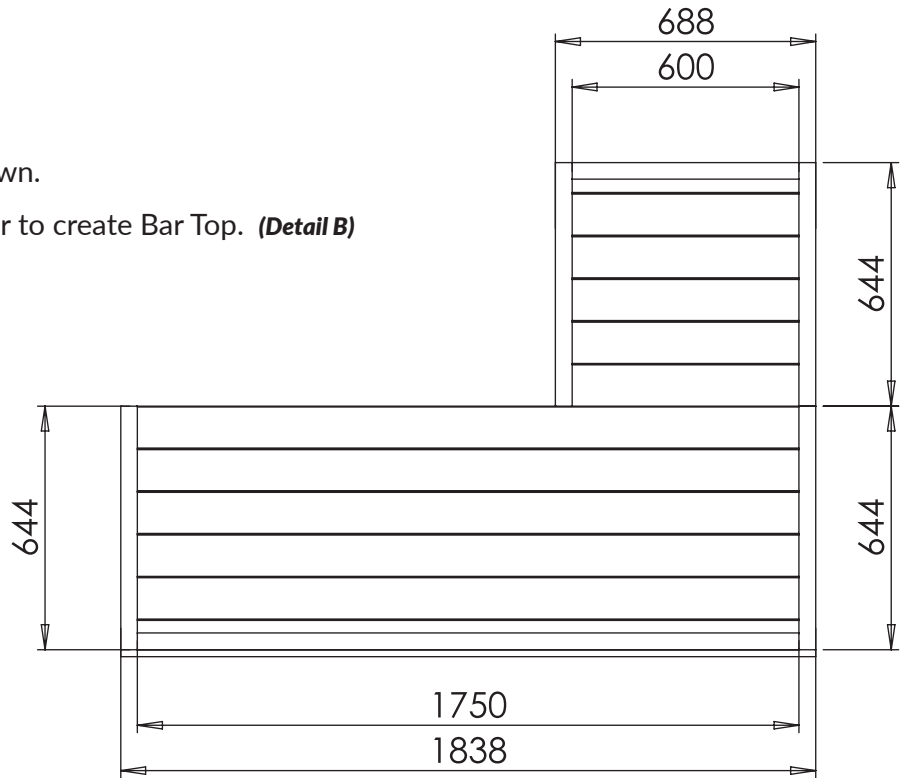
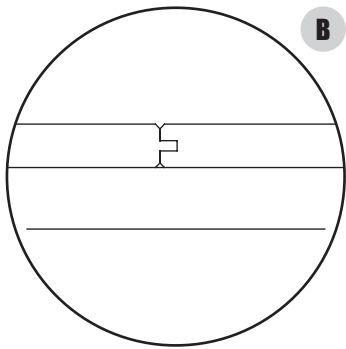


PROFILE VIEW 2

Step 6:

ASSEMBLE BAR TOP

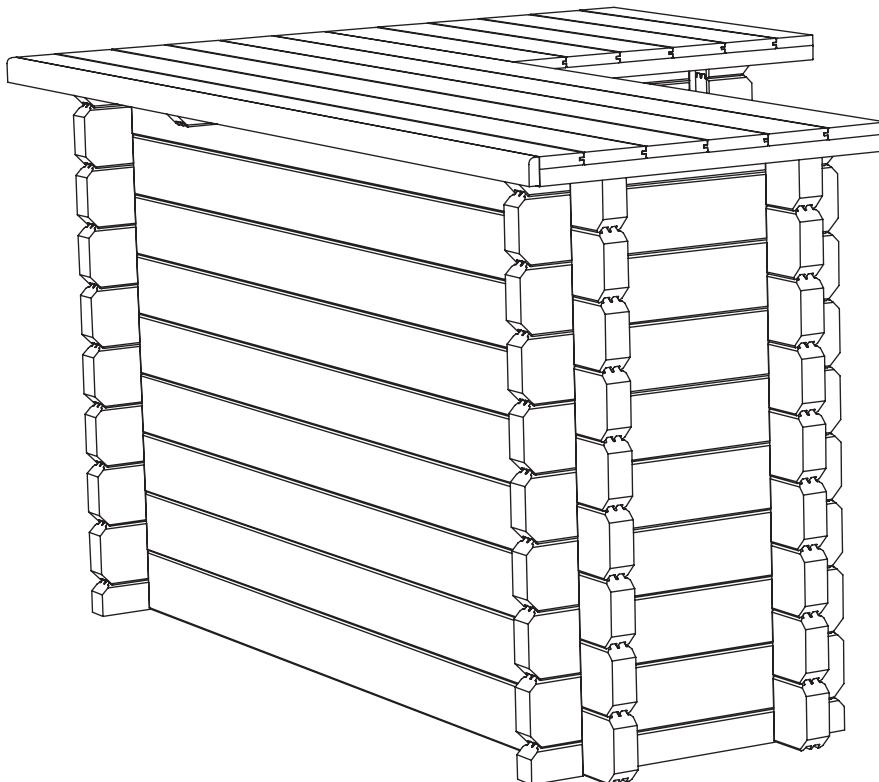
- Assemble Bar Top. Underside view shown.
- Slot tongue and groove boards together to create Bar Top. **(Detail B)**



Step 7:

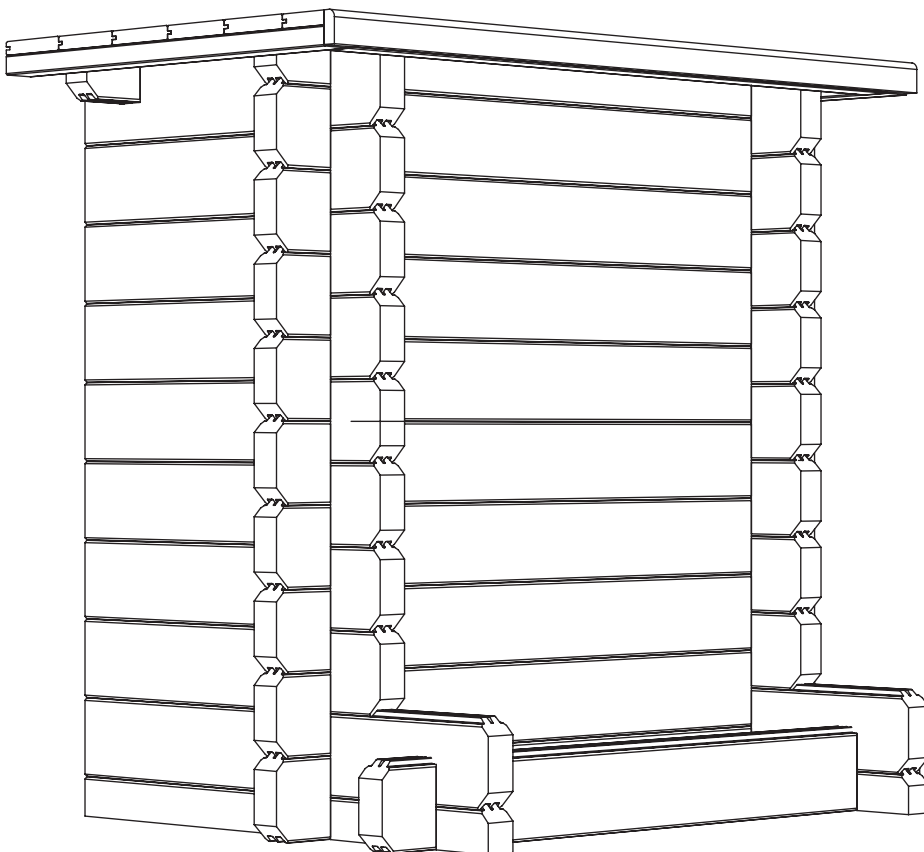
SECURE BAR TOP

- Secure bar top as shown and secure through top side of bar top into assembled logs using x18 S40 screws.



TIGER RECTANGULAR BAR

GENERAL ASSEMBLY INSTRUCTIONS

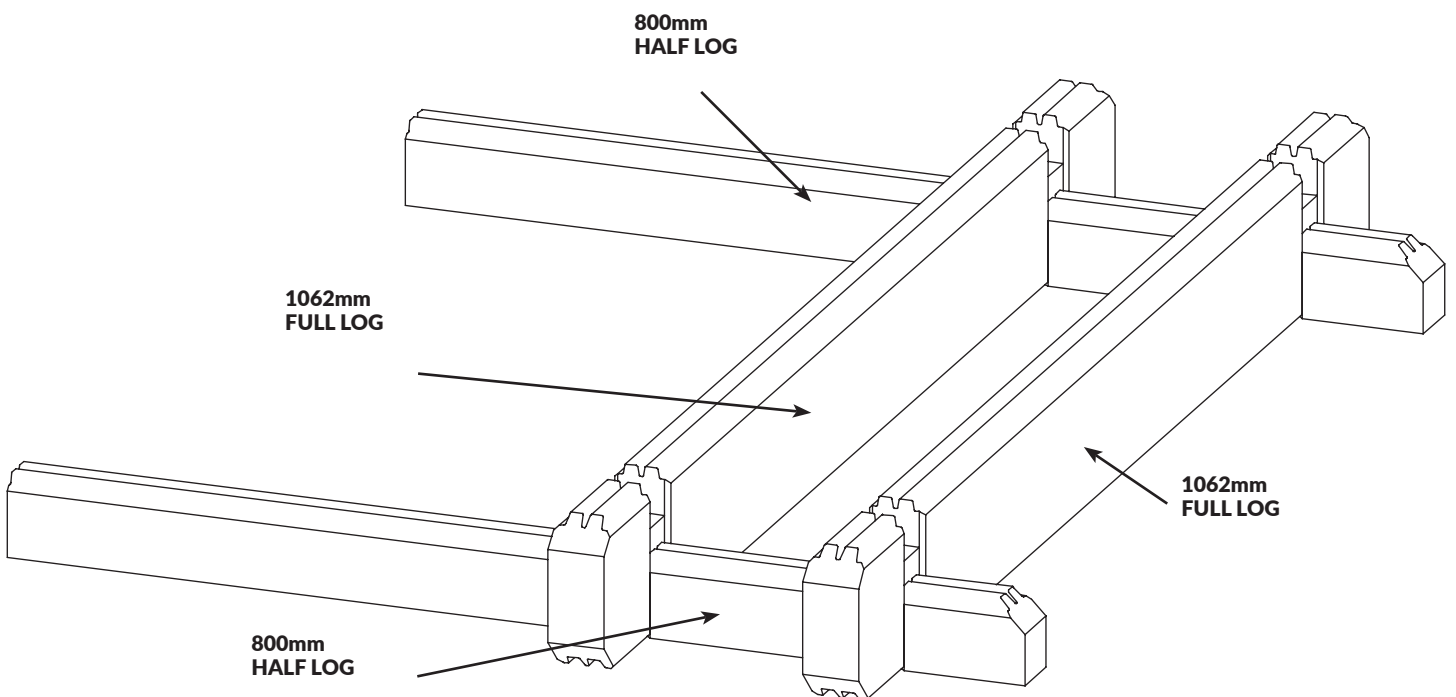
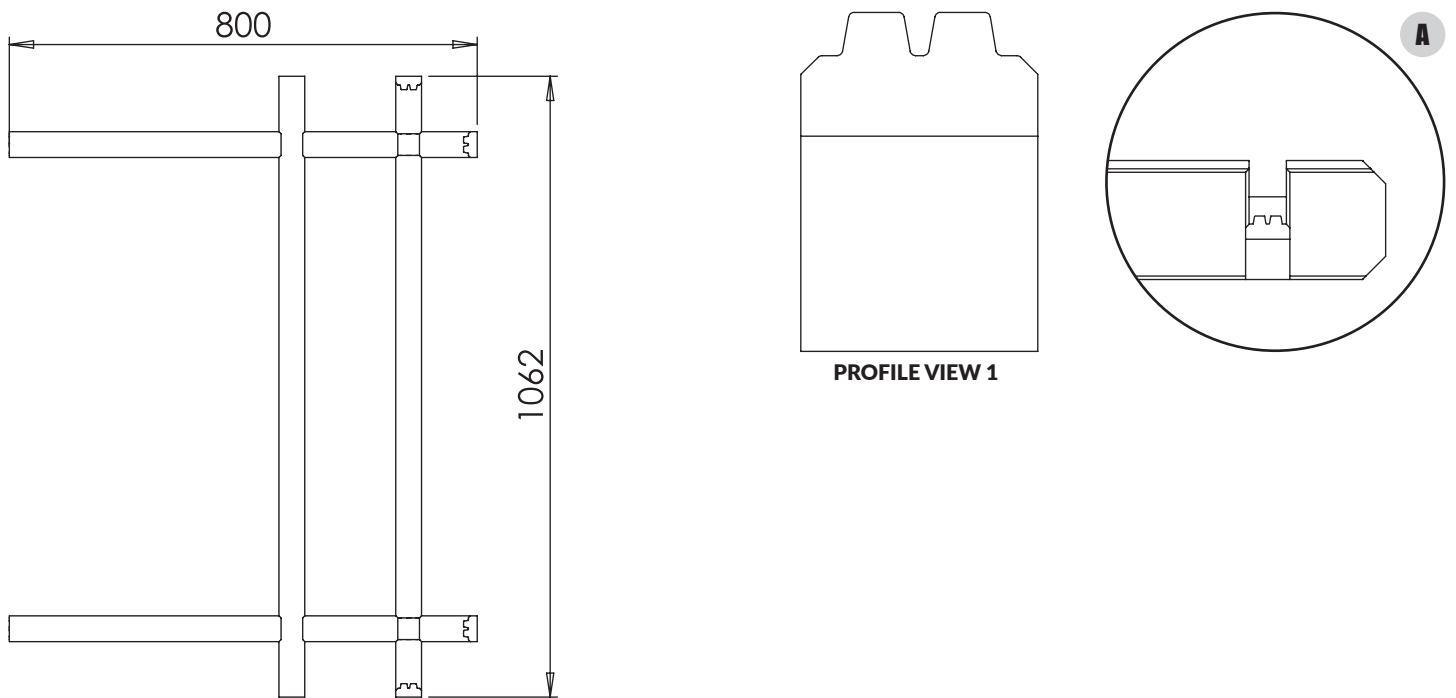


Step 1:

BUILD BASE LAYER

- Layout logs as shown.
- Make sure ground is firm and level before construction.

**NOTE: CHECK YOU HAVE THE CORRECT HALF LOGS.
(SEE PROFILE VIEW 1) FOR FLOOR LEVEL HALF LOGS. (DETAIL A)**

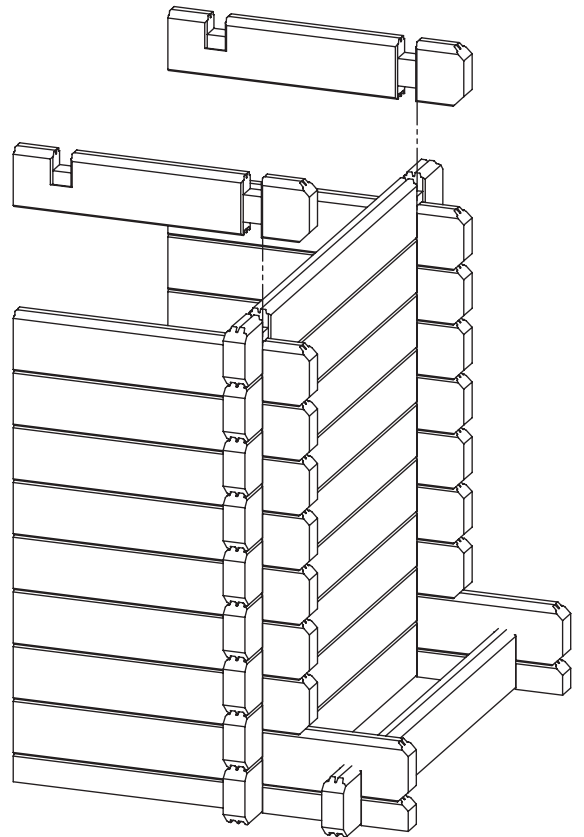


TIGER RECTANGULAR BAR GENERAL INSTRUCTIONS

Step 2:

BUILD SIDE

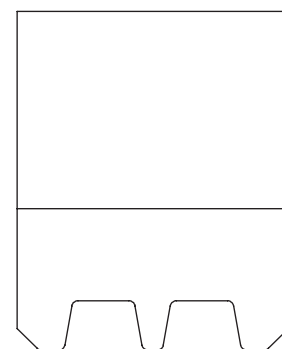
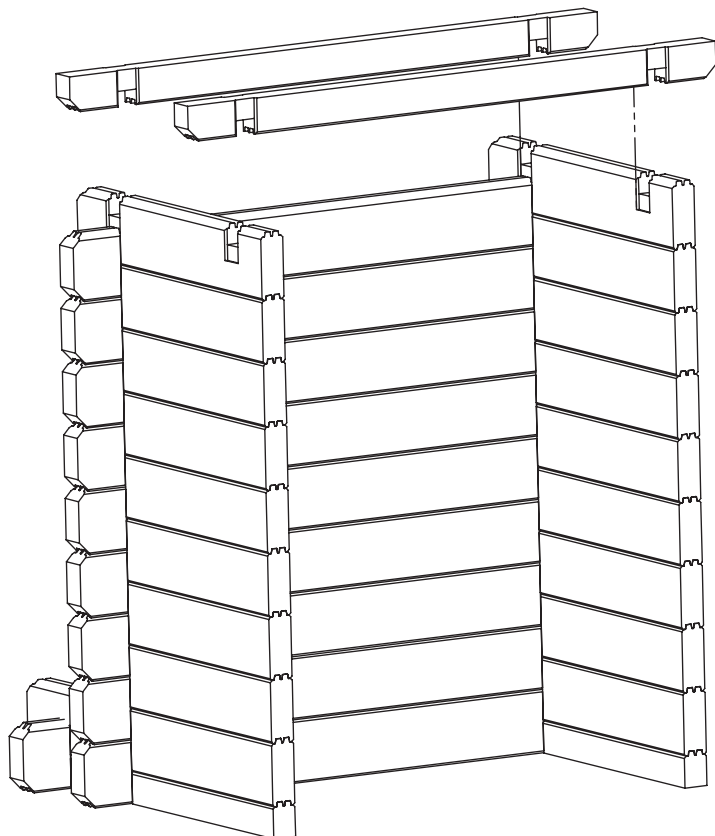
- Continue to build side using full size logs as shown.
- Install x2 Logs with notches on top edge as shown.



Step 3:

INSTALL TOP LOGS

- Install 1062mm Half Log as shown. *(See profile view 2)*
NOTE: CHECK THAT NOTCHES LINE UP CORRECTLY.

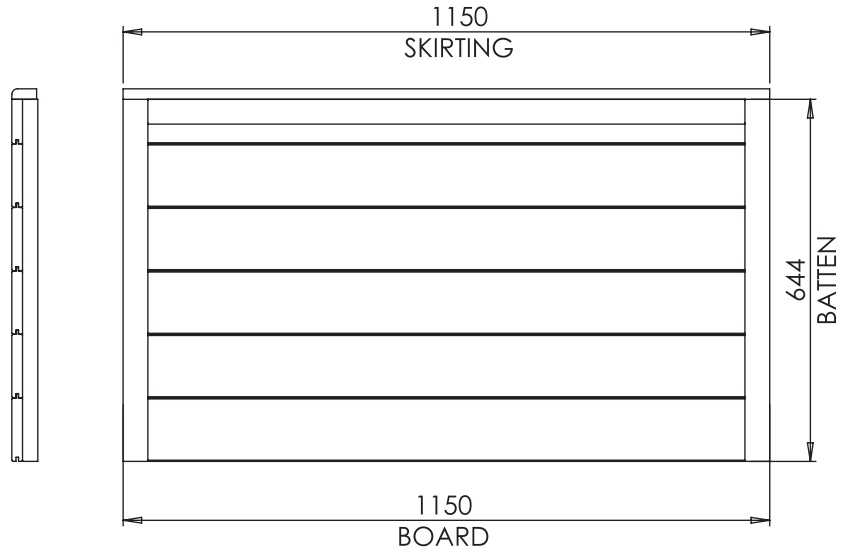
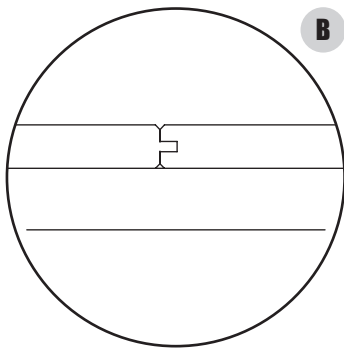


PROFILE VIEW 2

Step 4:

ASSEMBLE BAR TOP

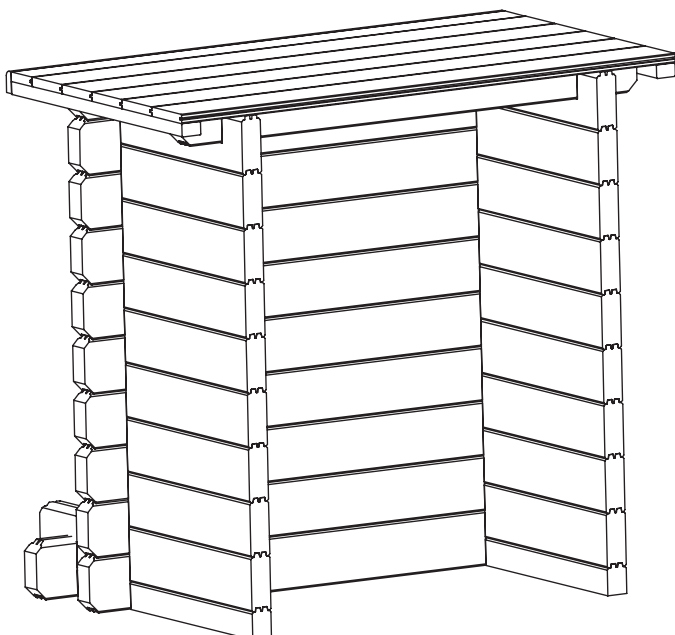
- Assemble Bar Top. Underside view shown.
- Slot tongue and groove boards together to create Bar Top. **(Detail B)**



Step 5:

SECURE BAR TOP

- Secure bar top as shown and secure through top side of bar top into assembled logs using x10 S40 screws.





Head Office

Calverley Lane,
Rodley,
Leeds,
West Yorkshire,
LS13 1NP

Telephone: 0113 205 4189
Website: tigersheds.com
Email: customersupport@tigersheds.com



SCAN CODE!
TO VIEW GENERAL ASSEMBLY
GUIDE FOR PENT ROOF CABIN



GO WITH THE PRO!

We understand how busy life can be. Our Pro-Installation service can take the stress and strain out of assembling your quality Tiger building for you. We recommend using professional and dedicated installers to erect your building. With their knowledge and experience, they will ensure that your cabin is put properly in place ready for you to enjoy your space for years to come.

If you have not booked our Pro-Installation service and would like to arrange an installation, please contact our friendly customer support team on **0113 205 4189** (Mon – Fri 9am-5pm) or email sales@tigersheds.com.

- The pro-install team will contact you to arrange a suitable time and date for the fitting.
- Sit back, relax and let our professional home installation service do all the hard work for you!
- Please view the Pro Installation page on tigersheds.com for full terms & conditions and to see if your postcode area is covered by our Pro-Install teams.