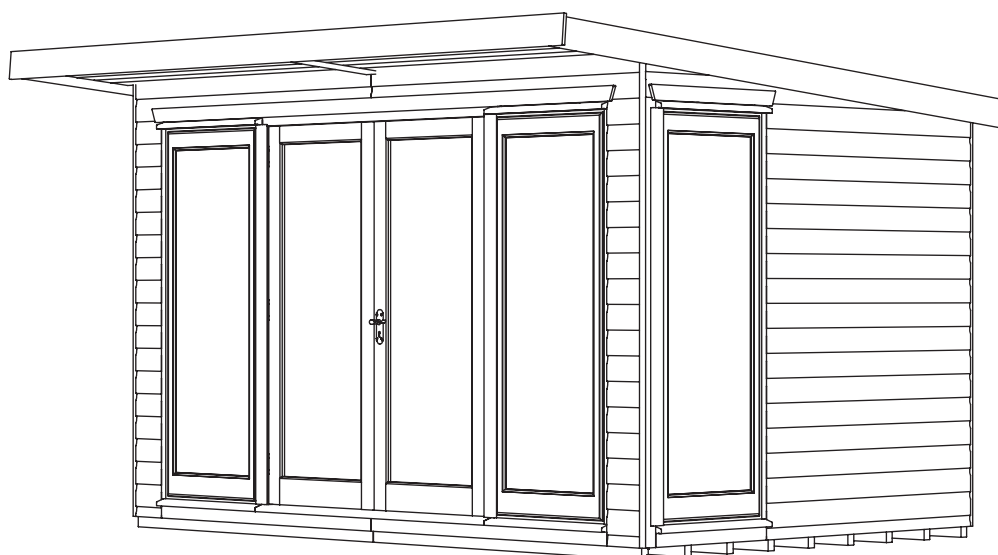


TIGER PRESSURE TREATED GARDEN STUDIO

GENERAL ASSEMBLY INSTRUCTIONS



tiger[®]

BEFORE YOU GET STARTED

PLEASE READ INSTRUCTIONS CAREFULLY

- Check the pack and make sure you have all the parts listed.
- When you are ready to start, make sure you have the right tools at hand (not supplied).
- Ensure there is plenty of space and a clean dry area for assembly.

TIMBER

As with all natural materials, timber can be affected during various weather conditions. For the duration of heavy or extended periods of rain, swelling of the wooden panels may occur. Warping of the wood may also occur during excessive dry spells due to an interior moisture loss. Unfortunately, these processes cannot be avoided but can be mitigated. It is suggested that the outdoor building is sprayed with water during extended periods of warm sunshine and sheltered as much as possible during rain or snow.



SUMMER
CONTRACTION



WINTER
EXPANSION



WOOD WARPING
MAY OCCUR

To validate your guarantee and ensure longevity of the product, it is ESSENTIAL that your building is treated with an appropriate high-quality oil or solvent based preservative AFTER assembly, both internally and externally, and annually thereafter. All glazing units must be sealed (internally and externally) with silicone or other watertight sealant.

BUILDING A BASE

Care must be taken to ensure the product is placed on a suitable base. When thinking about where the building and base is going to be constructed, ensure that there will be access to all sides for maintenance work and annual treatment.

Ensure the base is firm and level and is built on firm ground, to prevent distortion.

The constructed base must be at least the size of product as referenced in supplied construct diagram. It is also recommended that the floor be at least 25mm above the surrounding ground level to avoid flooding.

TYPES OF BASE

- Durable plastic grid*
- Concrete 75mm laid on top of 75mm hard-core.
- Slabs laid on 50mm of sharp sand.
- Timber Base - Self constructed/Buy pre-made.



PLASTIC BASE



CONCRETE BASE



SLAB BASE



TIMBER BASE



BROKEN SLABS



BARE SOIL



LOOSE GRAVEL

**We recommend a Fastfit EcoBase for your building. It is durable, lightweight, flexible and easy to put in place. Please see [tigersheds.com](https://www.tigersheds.com) for details.*

CAUTION:

All buildings should be erected by two competent adults.



CAUTION:

It is advisable to wear gloves during building installation.



The mark of responsible forestry
FSC® C125286



MADE IN THE UK SINCE 1913.
We have been making our high quality, great value garden buildings here in Britain for decades.

Pressure Treated Buildings & Treatment:

Our Pressure Treated (or tanalised) Range of buildings are impregnated with Tanalith-E - the latest generation wood preservative. This has a pale green tint to the timber as the treatment is a copper-based product designed to limit the chance of rot and insect attack. Once erected, your building should be treated annually, both internally and externally with an appropriate high-quality oil or solvent based preservative.

Whilst all products manufactured are made to the highest standards of safety, we cannot accept responsibility for your safety whilst erecting or using this product.

BEFORE YOU GET STARTED - PRE ASSEMBLY

TOOLS REQUIRED:

We recommend using the following tools (not supplied):



HAMMER



RUBBER Mallet



DRILL



LADDER



TAPE MEASURE



SHARP KNIFE



SPIRIT LEVEL



SCREWDRIVER +



WOOD SAW



SPANNER



PAINT ROLLER



BROOM

FIXING KIT GUIDES:

FX06 - NAIL KITS HEAVY DUTY

For Heavy Duty Shed Products:

CN13 Clout Nails (*13mm Galvanised - QTY 450*)

PP25 Panel Pins (*25mm - QTY 200*)

N40 Nail (*40mm Galvanised - QTY 85*)

NG5 Nail (*65mm Bright - QTY 20*)

N100 Nail (*100mm Bright - QTY 100*)

CB100 Coach Bolts (*100mm - QTY 8*)

BUILDING PACK CONTENTS:

For full details of what should be included please see the itemised packing list that is supplied with the delivery.

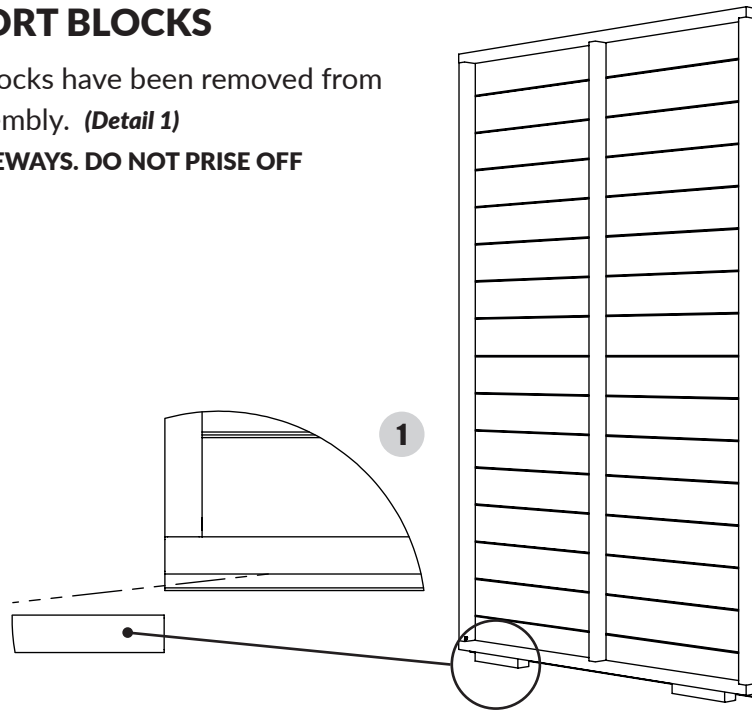
They are also available on request in pdf form from our helpful Customer Support team – please call:

0113 205 4189 or use the “Items Delivered Query” form at [tigersheds.com/contact](https://www.tigersheds.com/contact).

REMOVE TRANSPORT BLOCKS

- Make sure transport blocks have been removed from side panels before assembly. *(Detail 1)*

NOTE: HAMMER OFF SIDEWAYS. DO NOT PRIZE OFF



- Assembly is straightforward if you follow these step-by-step instructions.
- We recommend getting everything aligned properly before screwing together and that **screw holes should be pre-drilled to avoid splitting the timber.** *(Do not come pre-drilled).*

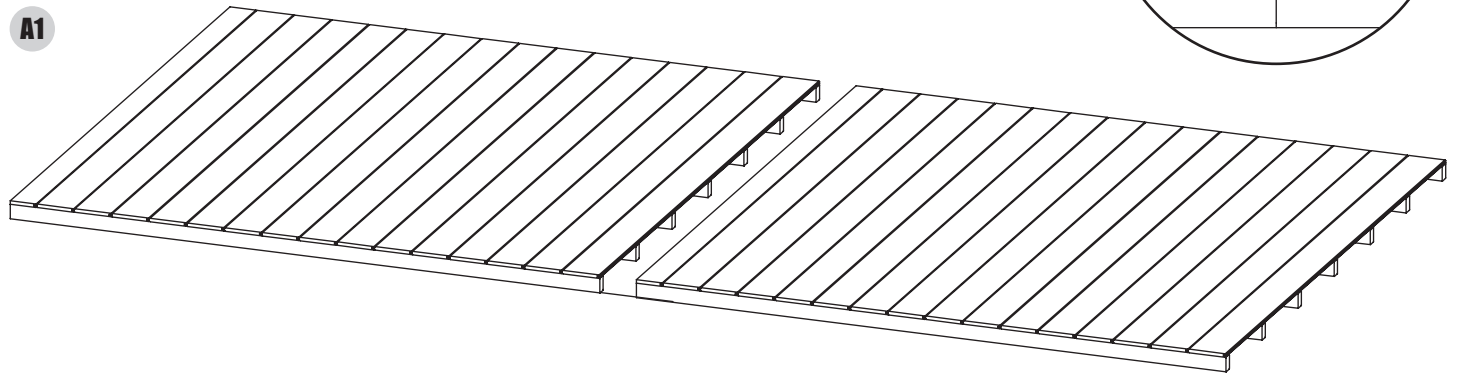
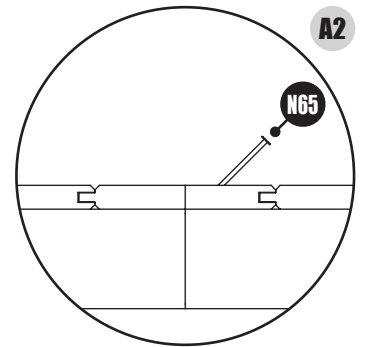
IMPORTANT

- Before assembly, please make sure you have a suitable base ready to erect your building on.
- Your base **MUST** be firm and level to ensure that the building is assembled properly and is square.
- **DO NOT** start your build until you have checked that all the parts of your building are present, correct and in a suitable condition.
- Panels may have become twisted during loading/unloading and/or transportation. Please check that all framing and cladding are square before beginning assembly.
- Make sure all transport blocks have been removed from panels.
- If you are organising a third party to install your building, it is best practice not to schedule this immediately on receipt of your order, to give you time to check your delivery

Step 1:

LAYING THE FLOOR

- Lay floors down in the desired position and butt together. **(Detail A1)**
- Join using 4x N65 evenly spaced through floor bearers at an angle. **(Detail A2)**

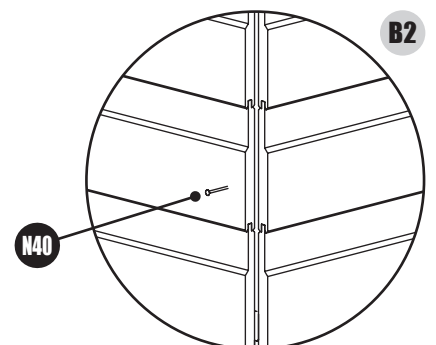
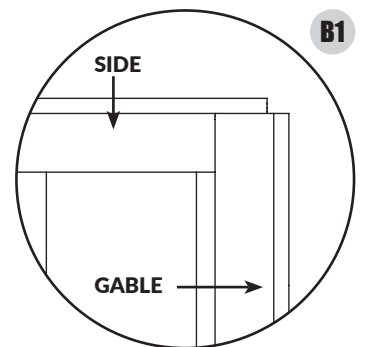
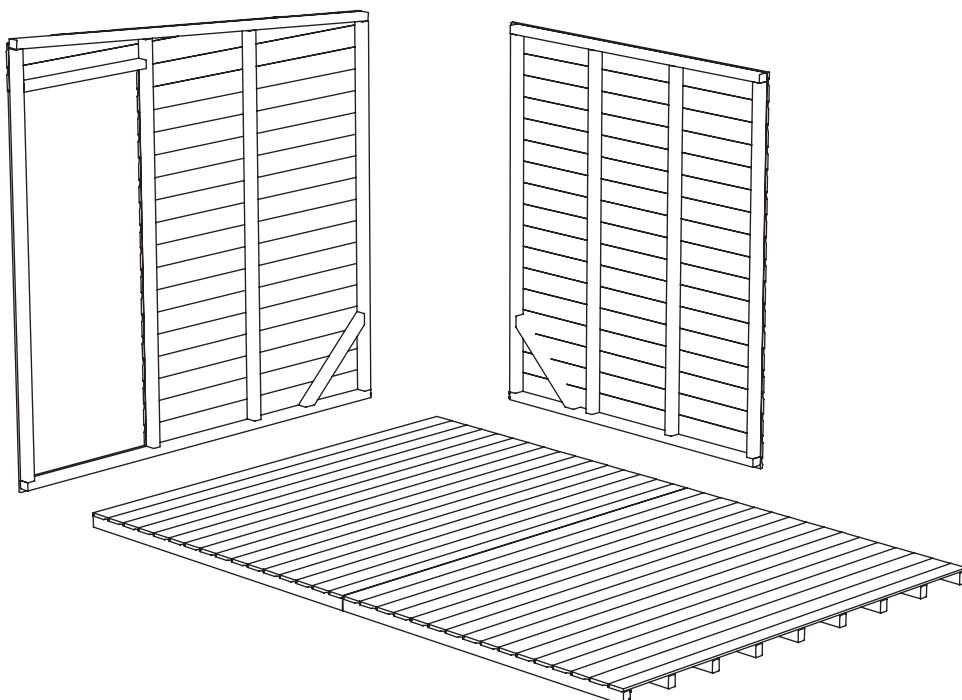


Step 2a:

INSTALLING SIDE AND GABLE PANELS

- Position one window gable and side panel as shown. **(Detail B1)**
NOTE: CHECK THAT ALL PANELS ARE AT RIGHT ANGLES TO EACH OTHER AND THE FLOOR.
NOTE: CHECK ALL TRANSPORT BLOCKS HAVE BEEN REMOVED BEFORE FITTING PANELS.
- Secure together with 8x N40 evenly spaced. **(Detail B2)**
- Repeat process for remaining gable and side panel.

NOTE: DOOR / WINDOW SIDE SUPPLIED WITH EXTRA SUPPORT. KEEP IN PLACE UNTIL INSTALLING DOORS.

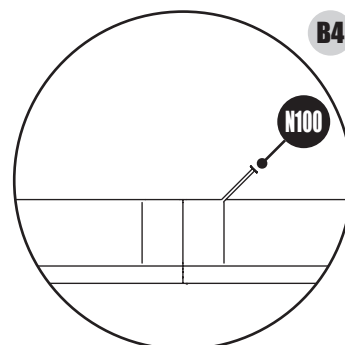
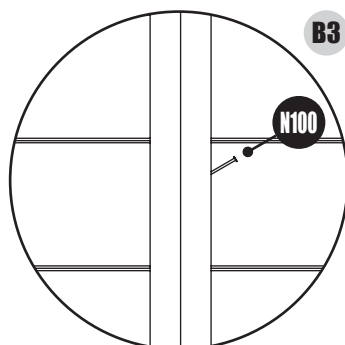
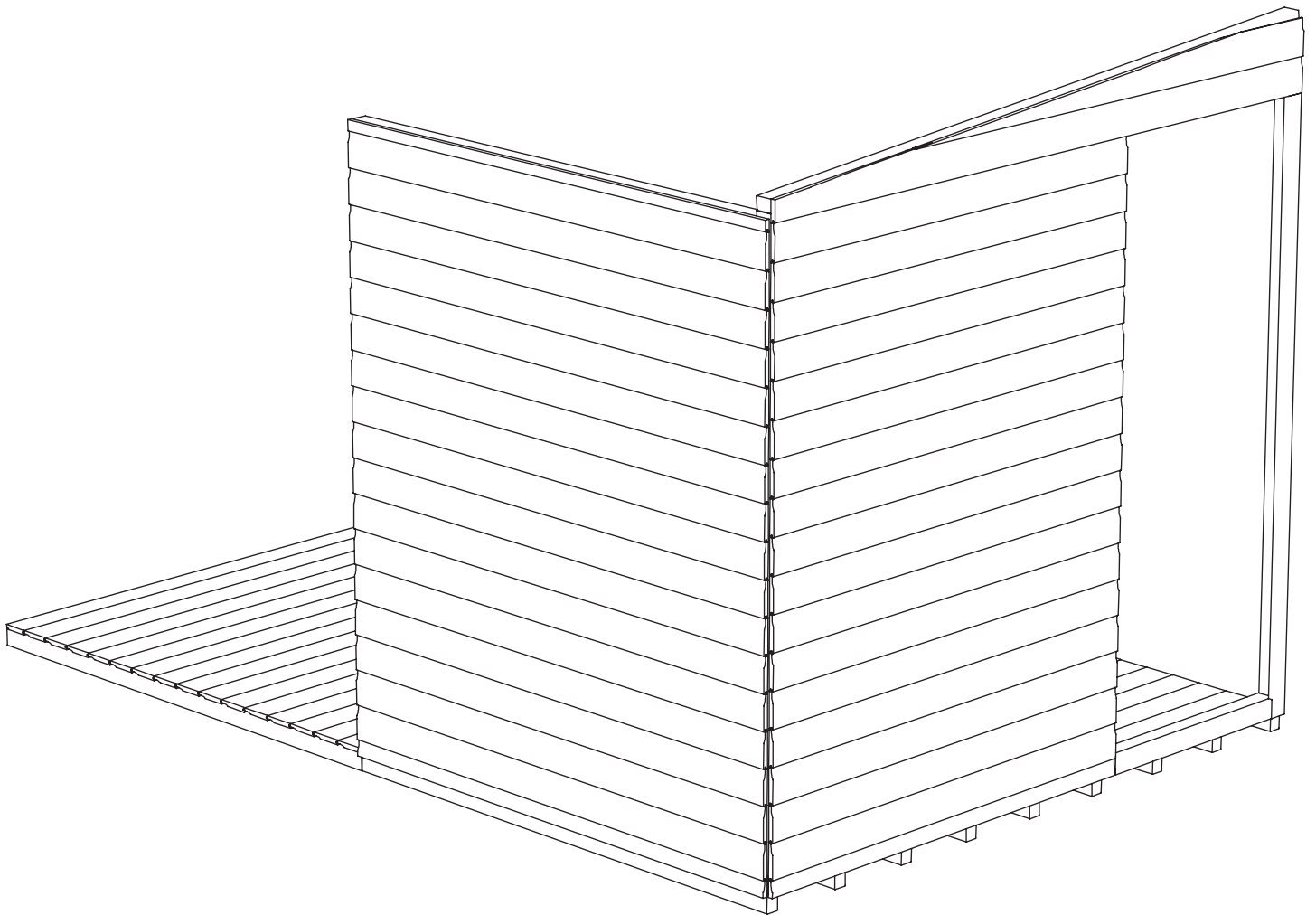


Step 2b:

INSTALLING SIDE AND GABLE PANELS

- For blank side panels made of 2 or more sections, secure together using 5x N100 evenly spaced through internal framework. (*Detail B3 & B4*)
- Secure door / window sides together through framing in centre using 2 x N100.

DO NOT FIX TO FLOOR.



Step 3:

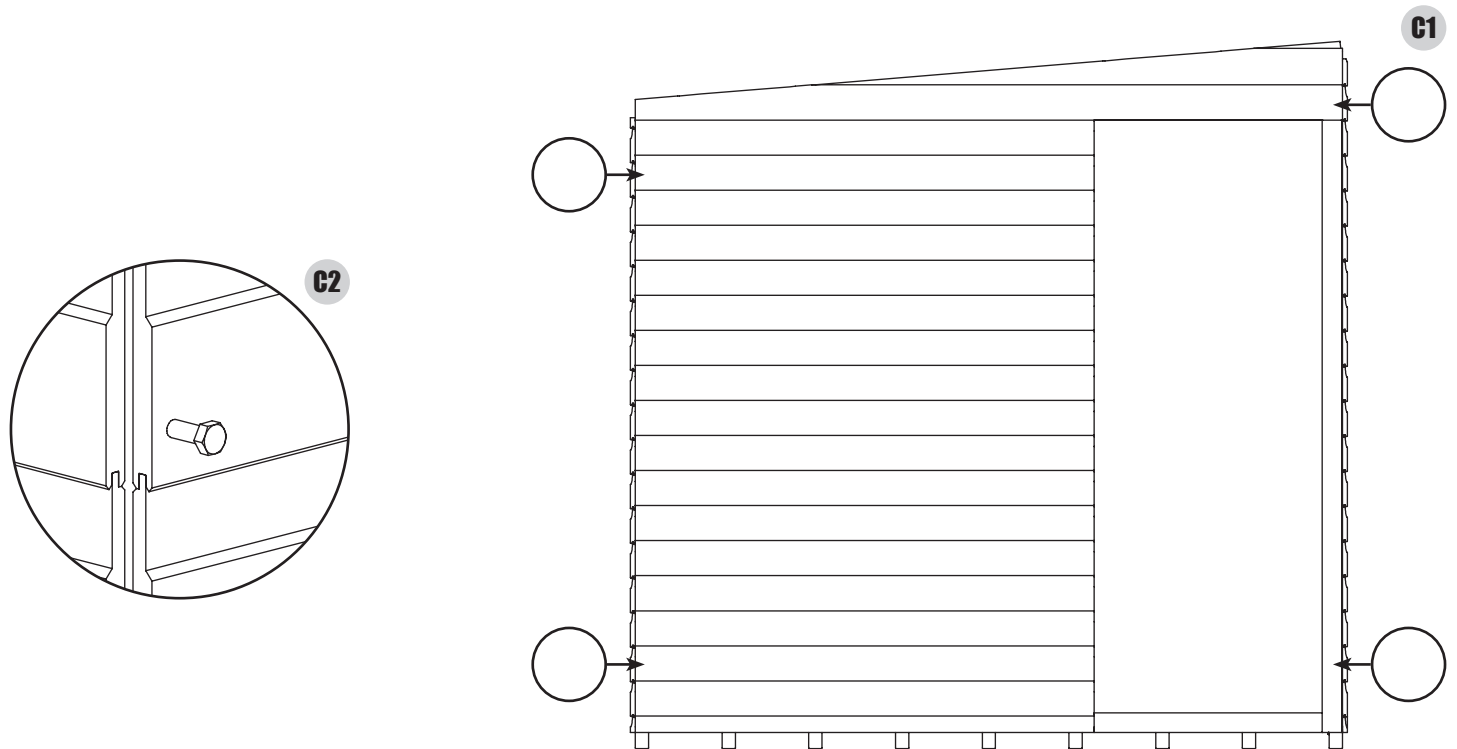
SECURING SIDE AND GABLE PANELS

- Locate pre-drilled holes in gable panels. *(Detail C1)*

NOTE: THESE MAY HAVE COVERED OVER DURING PANEL COATING PROCESS. THEY MAY RESEMBLE NAIL HEADS.

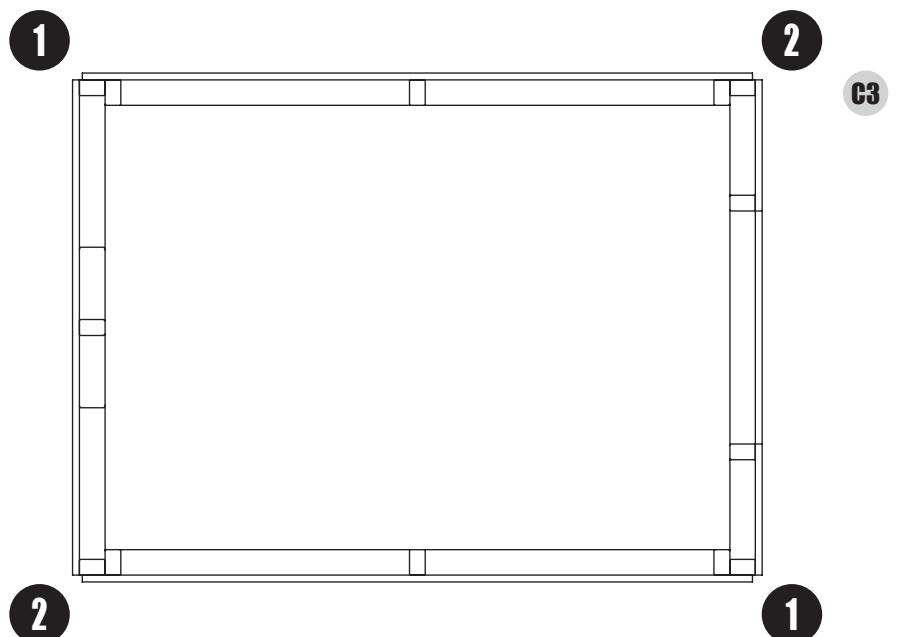
- Use 4x CB100 per gable, through the pre-drilled holes in each gable, from the outside. *(Detail C2)*

NOTE: DO NOT FULLY TIGHTEN.



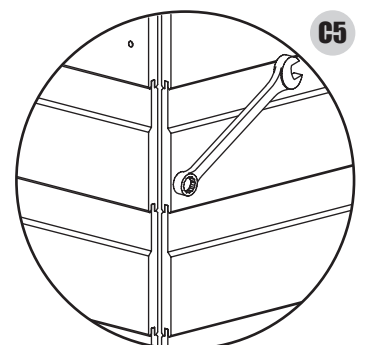
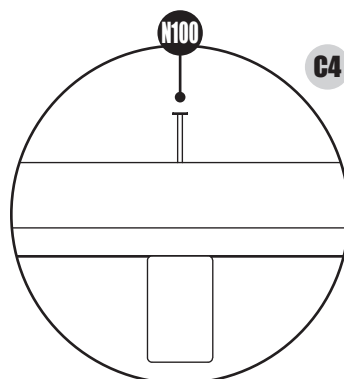
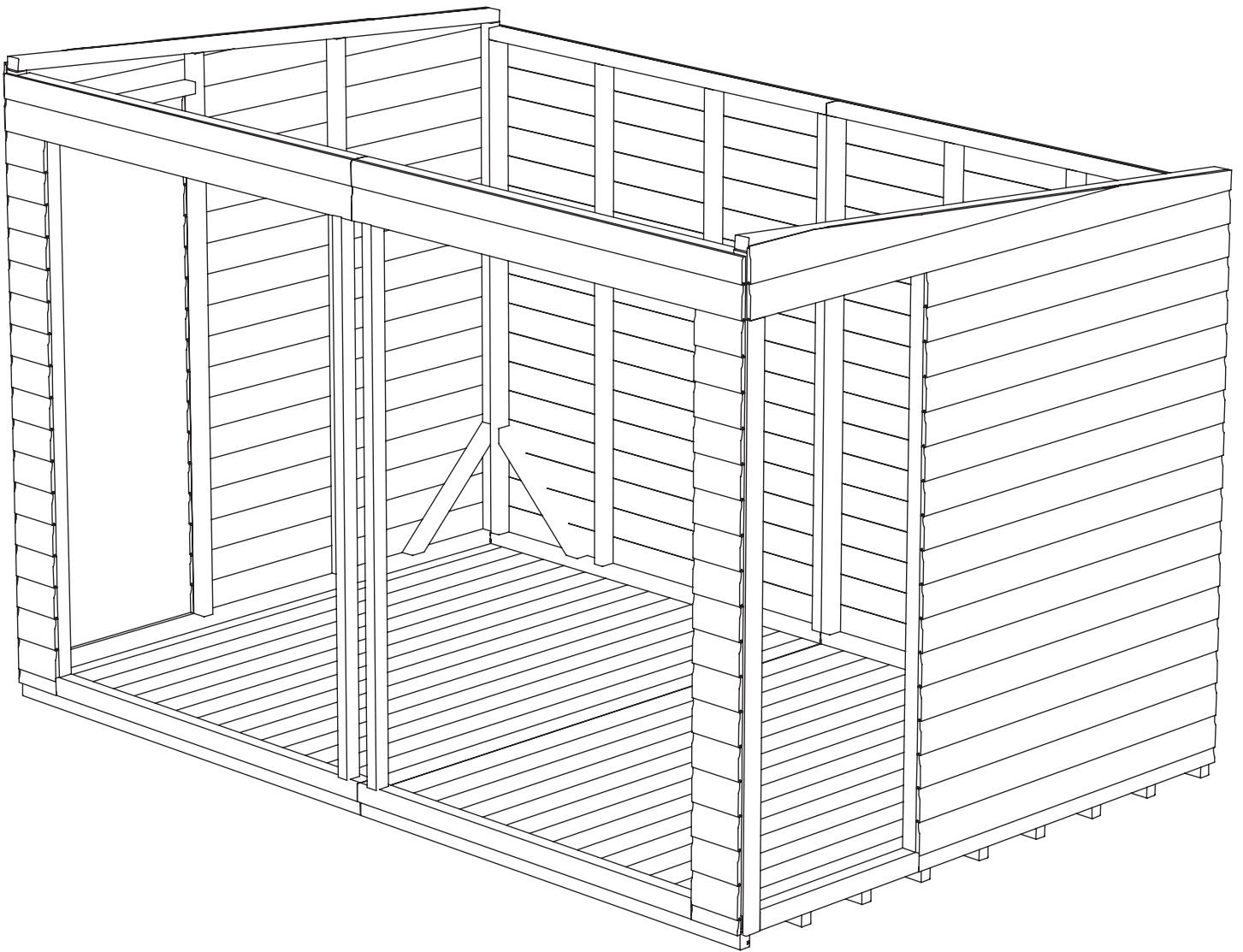
- Check panels are square by measuring between points shown. *(Detail C3)*
- If measurements are equal, your panels are square. If not, manually adjust to suit.

NOTE: DO NOT TRIM.



- Secure panels to the floor using 2x N100 per panel frame spacing. Ensure the N100 are driven through the panels and into the floor bearers. *(Detail C4)*
- Tighten 8x CB100. *(Detail C5)*

NOTE: CHECK THAT ALL SIDES ARE AT RIGHT ANGLES TO EACH OTHER AND THE FLOOR.



TOP TIP

Use the line of nails securing the floorboards to the bearers as a guide to make sure you correctly secure panels to the floor.

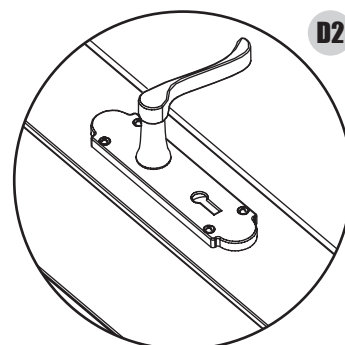
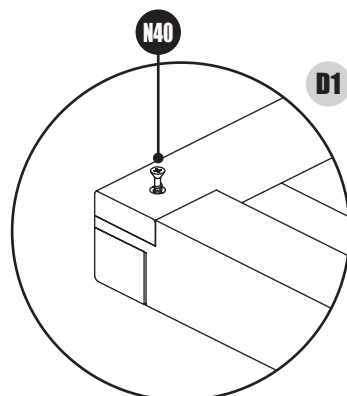
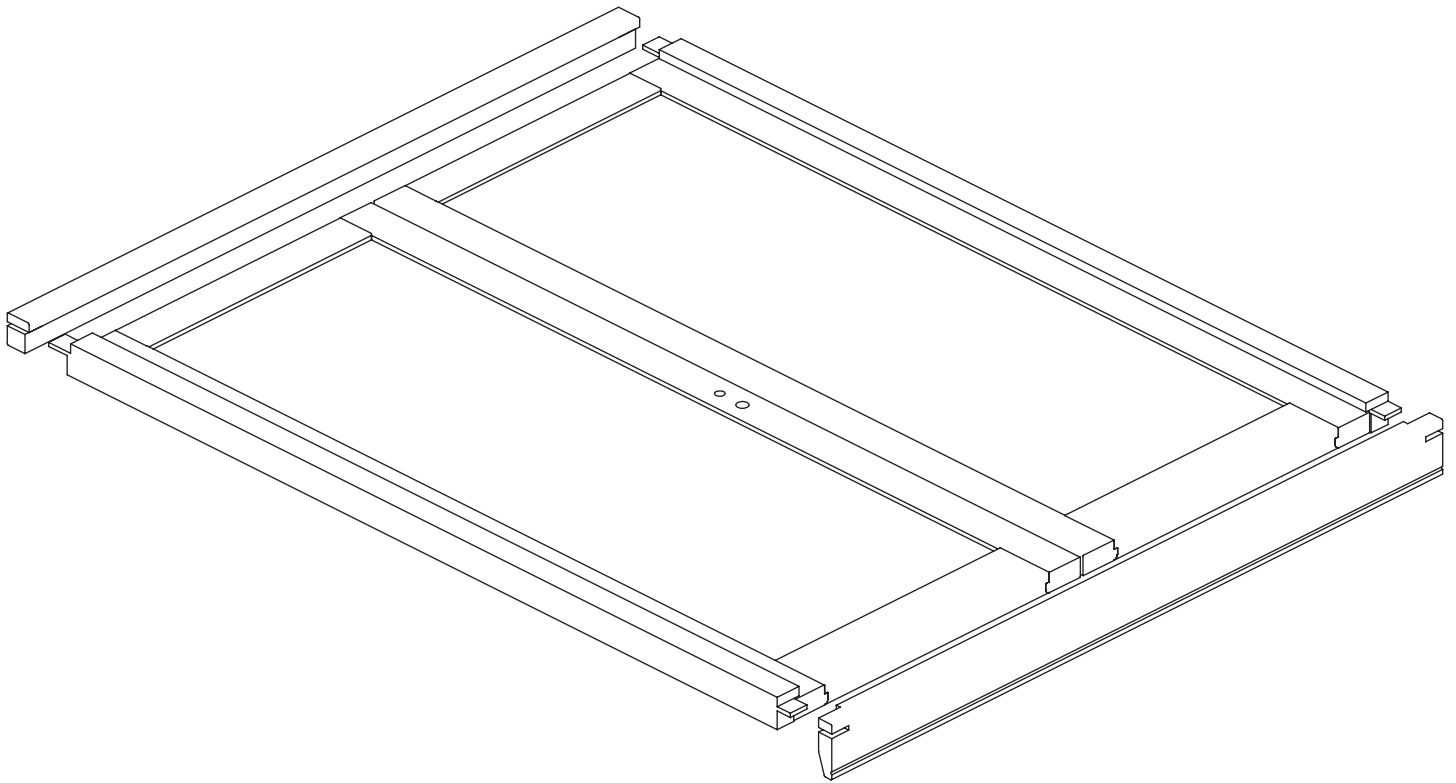
Step 4:

BUILD DOOR FRAME

- Build up door frame using the four door components provided.
- Arrange the door framing onto a firm and level surface, with hinges to the ground. Slot the door sill (base) then the door head into place.
- Secure the 4 sections together through the joints using 1x S40 per corner. **(Detail D1)**

NOTE - PRE-DRILL HOLES IN FRAMING TO REDUCE CHANCE OF WOOD SPLITTING WHEN FIXING TOGETHER.

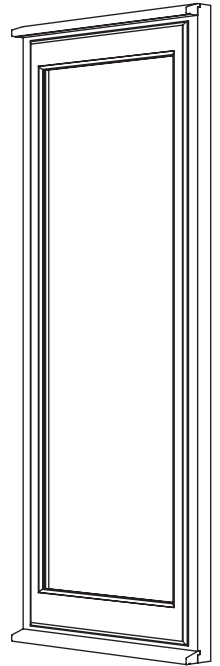
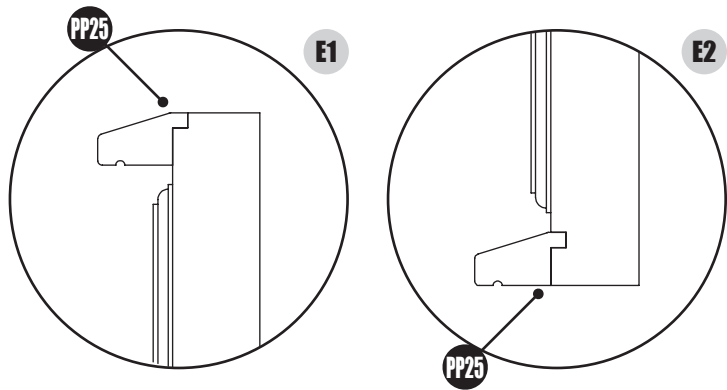
- Attach door handle and lock. **(Detail D2)**



Step 5:

INSTALL WINDOW HEADERS AND SILLS

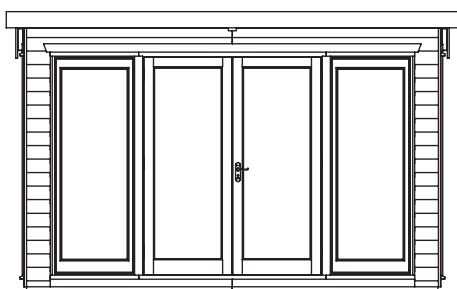
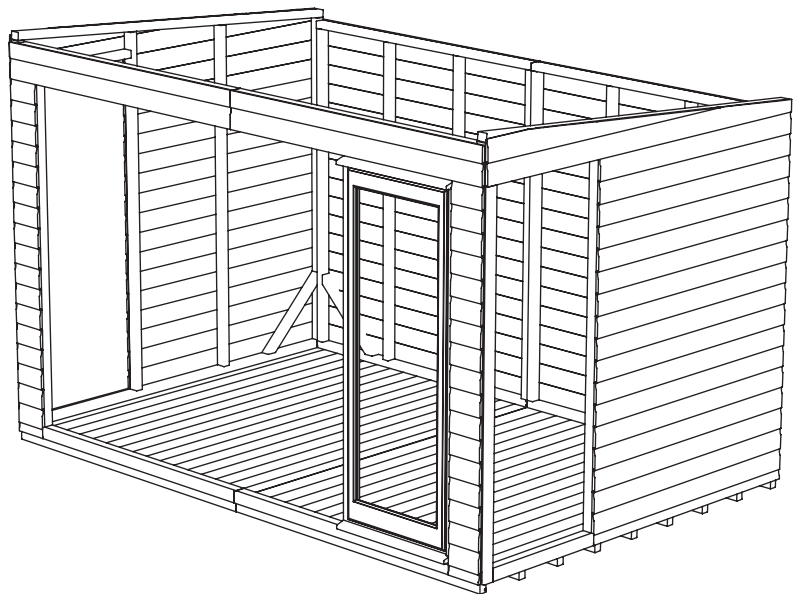
- Fit window headers and sills as shown.
- Secure through sill into window frame using 4x PP25 as shown. (**Detail E1 & E2**)



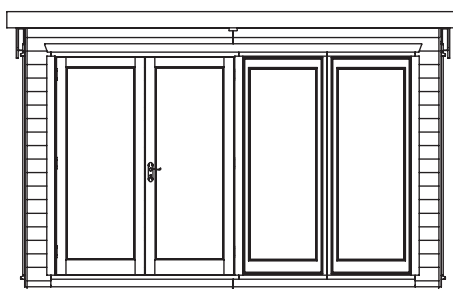
Step 6:

INSTALLING DOORS AND WINDOWS FRAMES

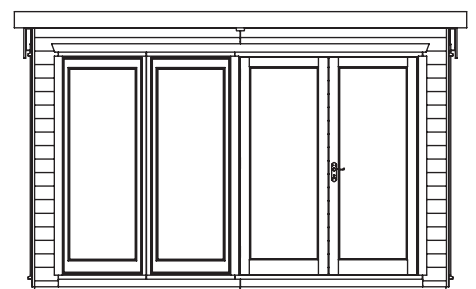
- Choose position of your doors and window frames on front of Garden Studio. See examples below.
- Start from one corner, adding door or window as shown.
- Carefully fix into place using N100 through window frame into panel framing at top, base and sides.
- Secure centre piece through top and base only.
- Repeat for remaining doors and windows. Check doors open and close correctly.



DOORS CENTRAL



DOORS TO LEFT



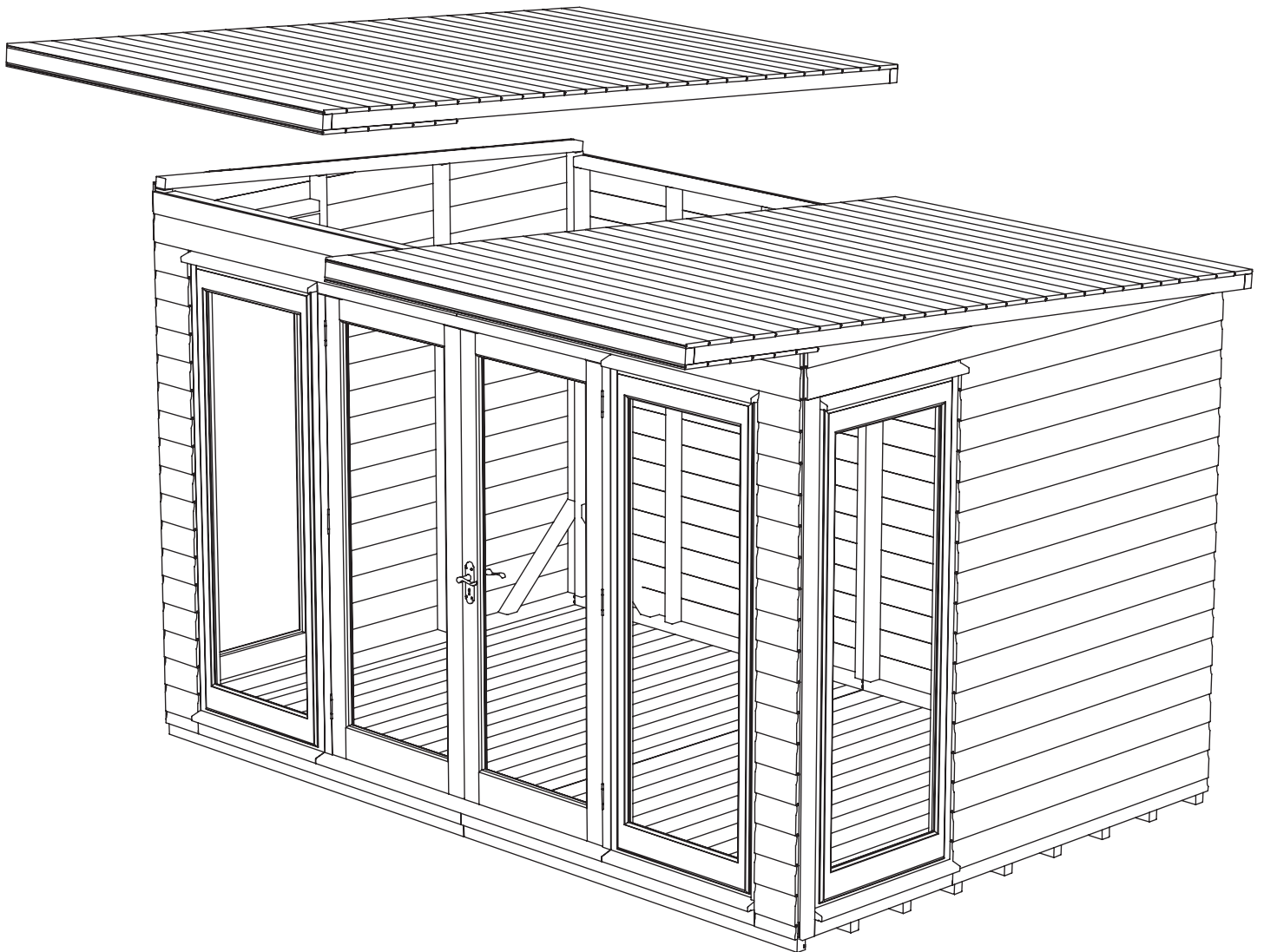
DOORS TO RIGHT

Step 7:

ROOF INSTALLATION

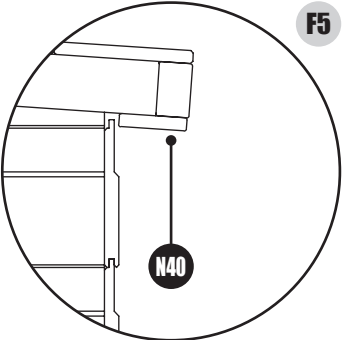
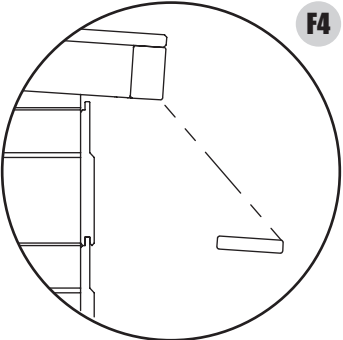
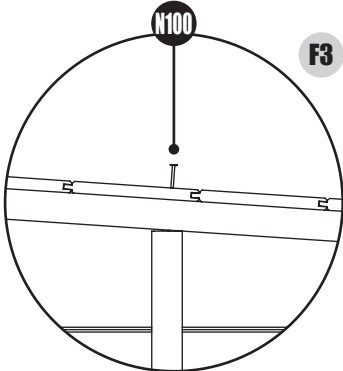
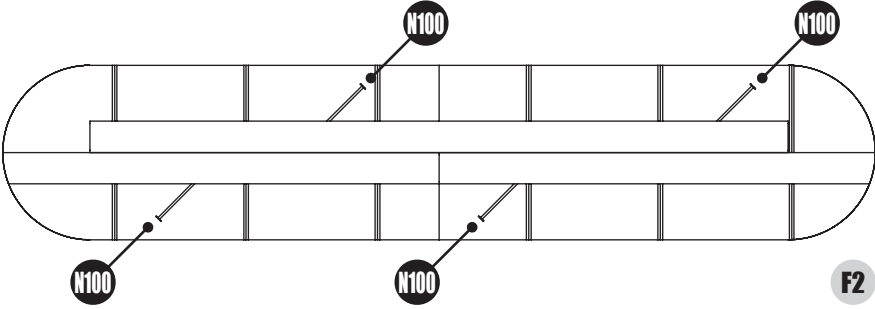
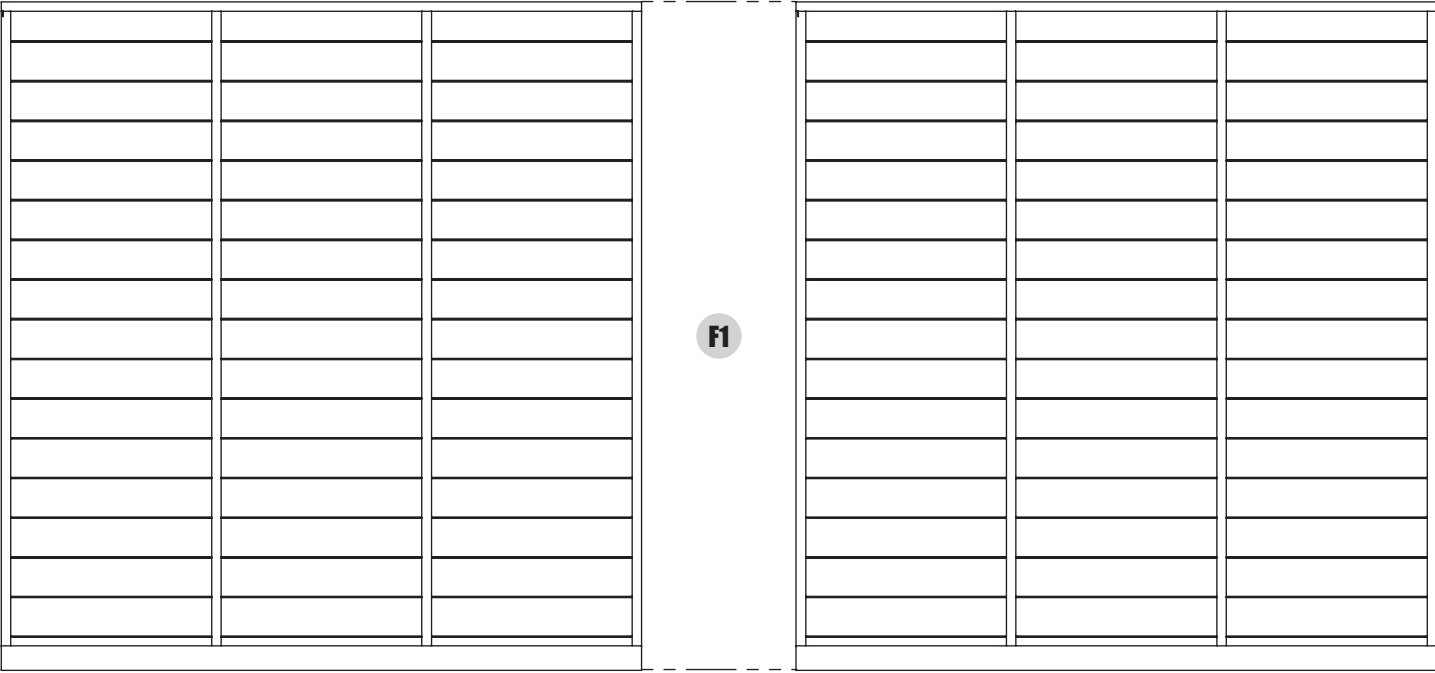
CAUTION! ROOF PANELS ARE VERY HEAVY. TAKE EXTRA CARE WHEN MOVING

- Lift into place and butt together. Ensuring that the boarded overhang is to the high side.
NOTE: CHECK OVERHANGS ARE EQUAL AT EACH END AND FRONT TO BACK.
- Secure together using x4 N100 per join so that roof panel is one piece. *(Detail F1 & F2)*
- Fix roof to panels using N100 provided through roof boards into upright framing in panels. *(Detail F3)*
- Fix low side soffit (55mm wide cut bargeboard) to the underside of the roof on the low side. This is supplied in the polytube. Fix using 5x N40 into roof framing per soffit board. *(Detail F4 & F5)*
NOTE: SOFFITS FOR LONGER BUILDINGS IN 2 PEICES.



TOP TIP

If your roof panels do not sit correctly, it suggests the building is not sitting square. Check that the building isn't twisted by lifting two opposite corners of the building to straighten it out. This should bring the roof panels into alignment for you to nail into position.



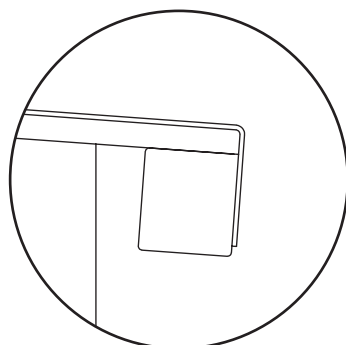
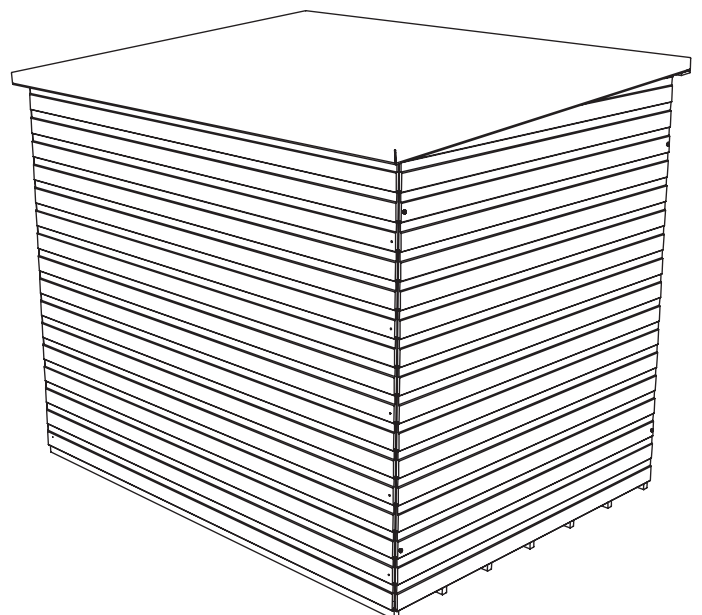
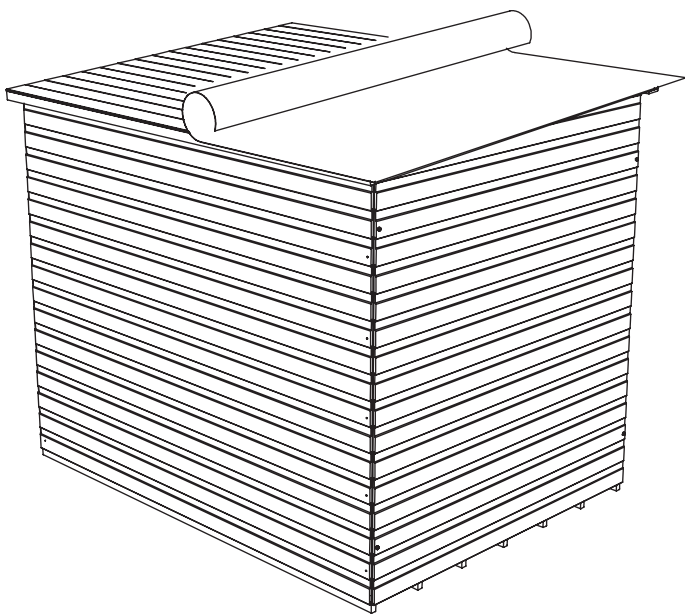
Step 8:

EPDM INSTALLATION

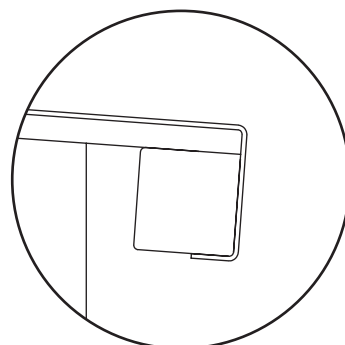
- Place EPDM membrane over roof, ensuring you have full coverage. Allow to relax for 30 minutes.
- Fold half the EPDM membrane back on itself and apply supplied water-based adhesive to the roof panel using roller, leaving approx. 100mm perimeter. Repeat process for the other half.

NOTE: WE RECOMMEND WEARING PROTECTIVE LATEX GLOVES FOR WHEN APPLYING WATER-BASED ADHESIVE.

- Using a broom, brush over the surface of the EPDM membrane to ease out any creases or bubbles.
- Trim off any excess membrane around the edges, leaving approx. 50mm overhang.
- Apply the spray adhesive to the 100mm perimeter of building and back of the membrane.
- Allow to dry before sealing down. (Will feel tacky to touch)



**CORRECT MEMBRANE LOW SIDE
- REPEAT ON HIGH SIDE**

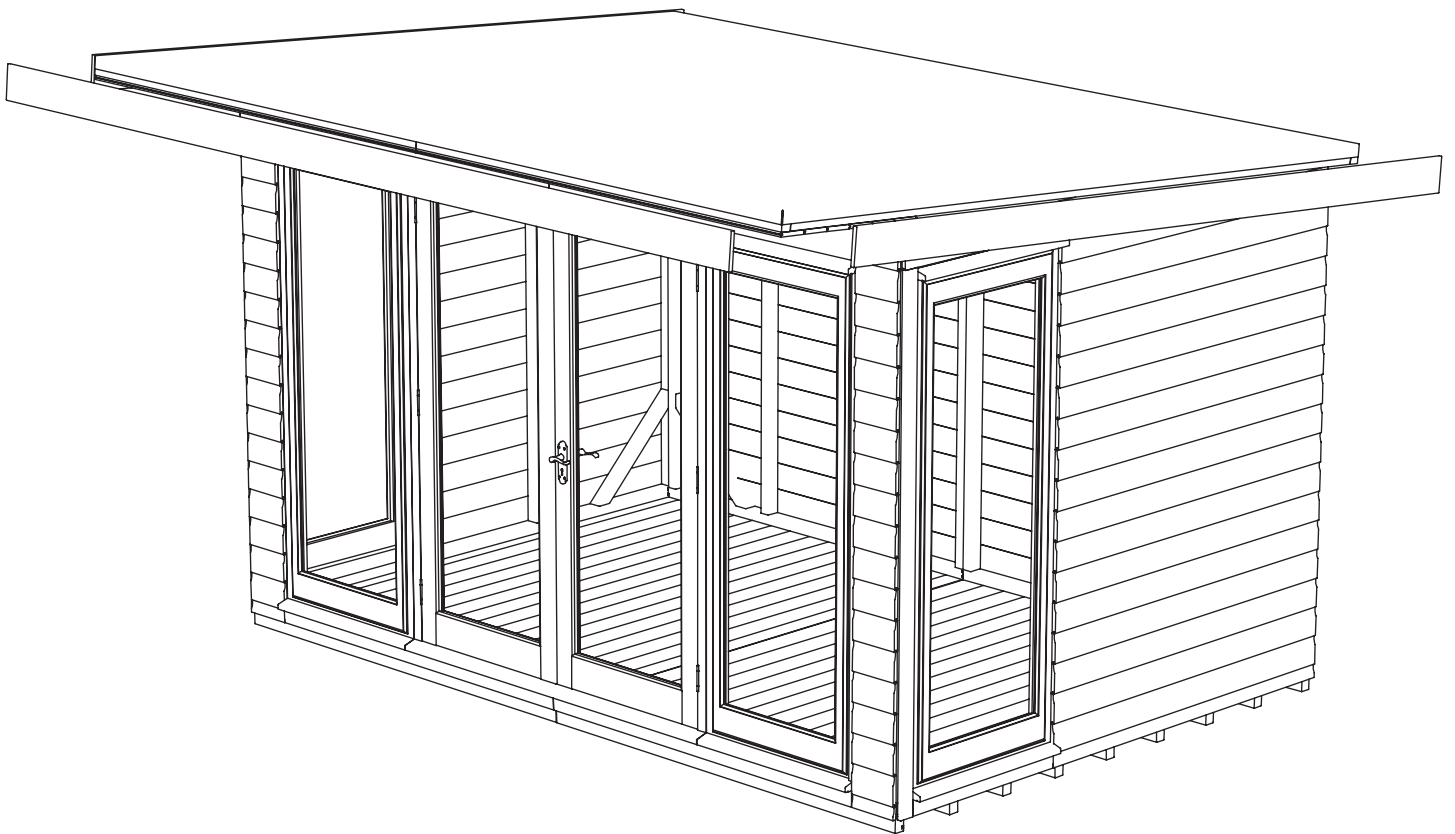


**INCORRECT
MEMBRANE**

Step 9:

FITTING FASCIA BOARDS (BARGEBOARDS) & FINIAL

- Fit bargeboards to the roof panels, trapping overhanging end of the EPDM membrane in between the roof panel and bargeboard.
- Secure using 4x N40 per bargeboard through roof panel.
NOTE: THERE ARE NO BARGEBOARDS SUPPLIED FOR LOW SIDE OF ROOF AS THIS WILL PREVENT EFFECTIVE WATER DRAINAGE.
- Secure finial over the top of the bargeboards using 2x N40 per finial. (Optional)

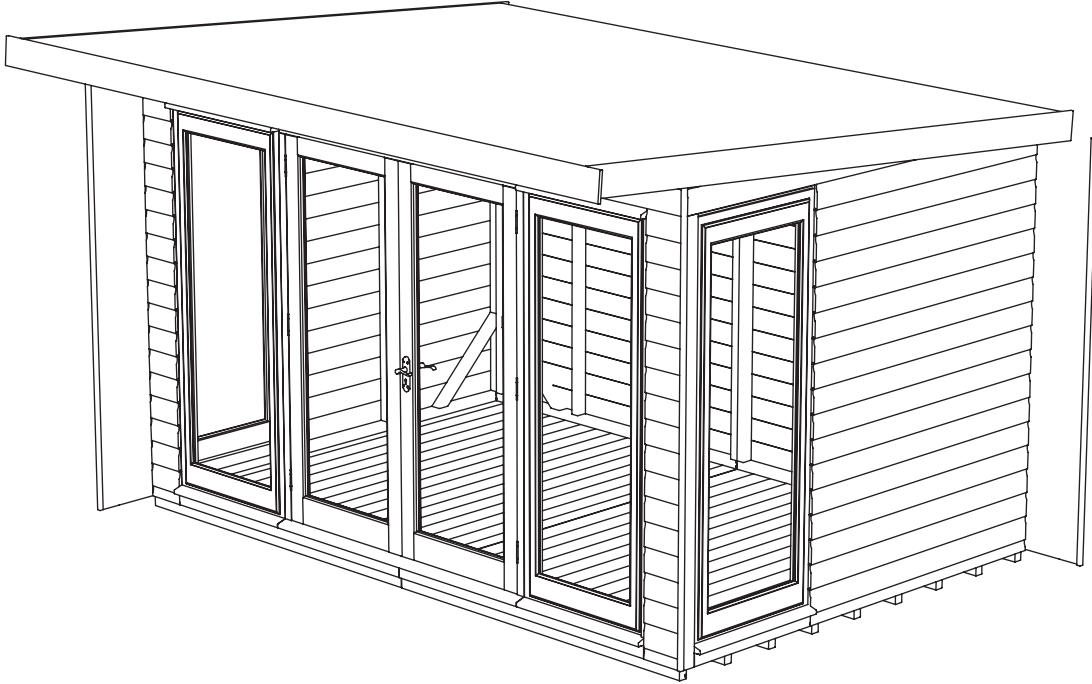


Step 10:

FIT CORNER STRIPS AND COVER STRIPS - CERTAIN SIZES ONLY

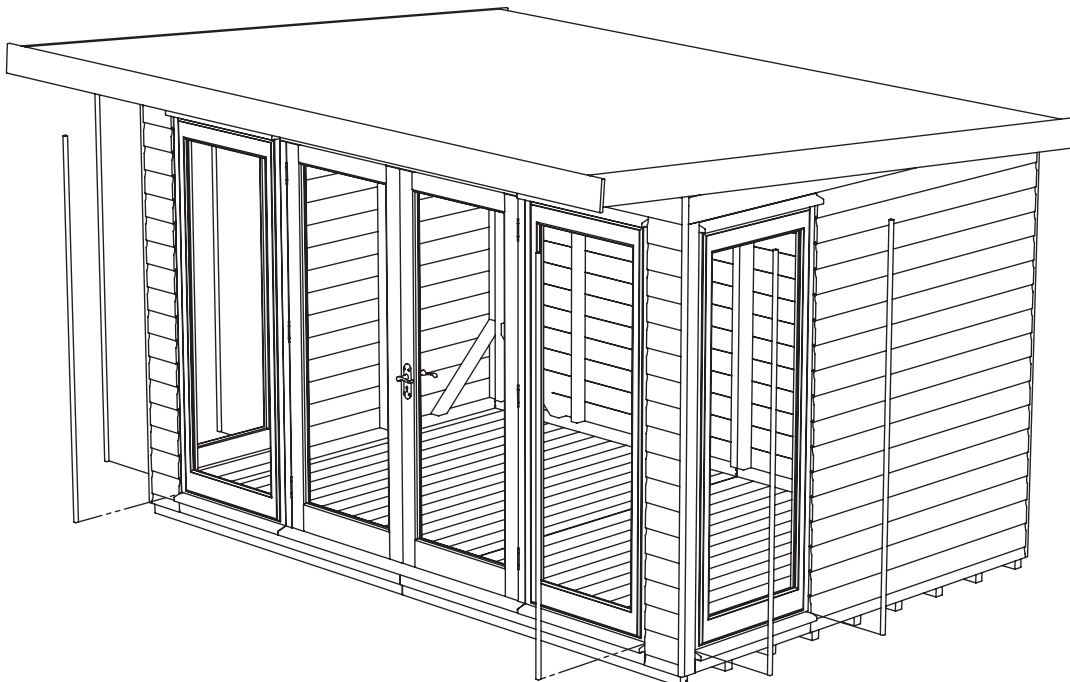
- Secure the corner strips at each corner of the shed with 4x N40 per corner strip.

NOTE: THESE CORNER STRIPS MAY NEED CUTTING TO SIZE.



- Fit 6x external window beading externally to cover the joins between windows and cladding.
- Secure using 4x N40 per beading.

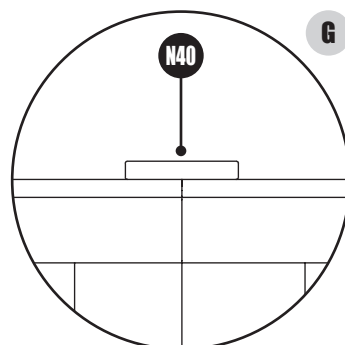
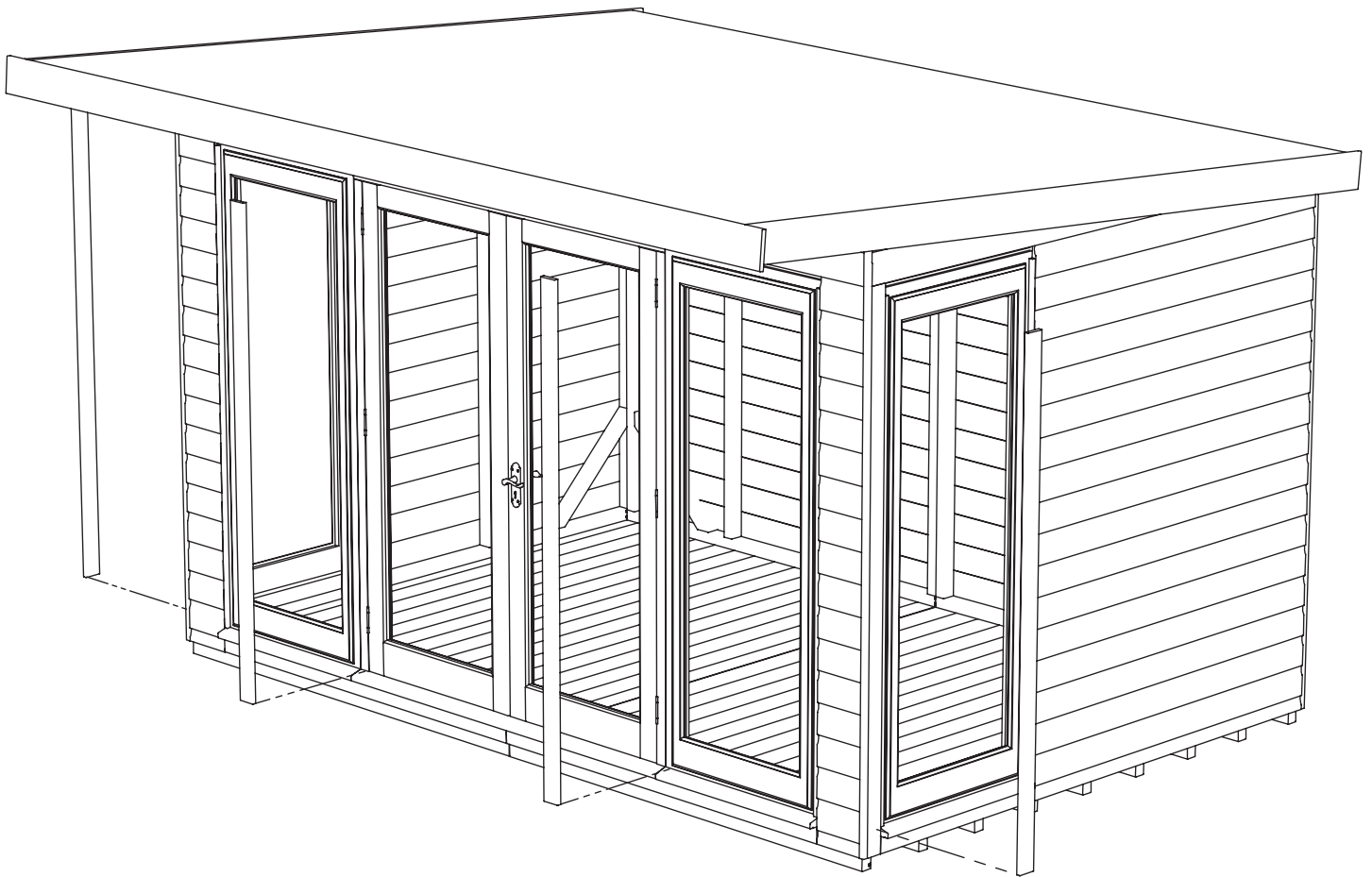
NOTE: THESE WINDOW BEADING STRIPS MAY NEED CUTTING TO SIZE



Step 11:

INSTALL COVER STRIPS

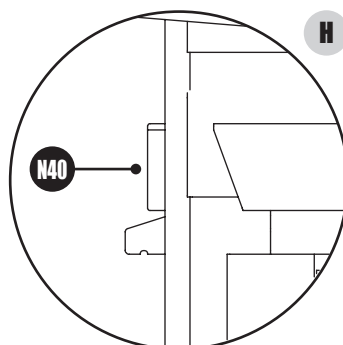
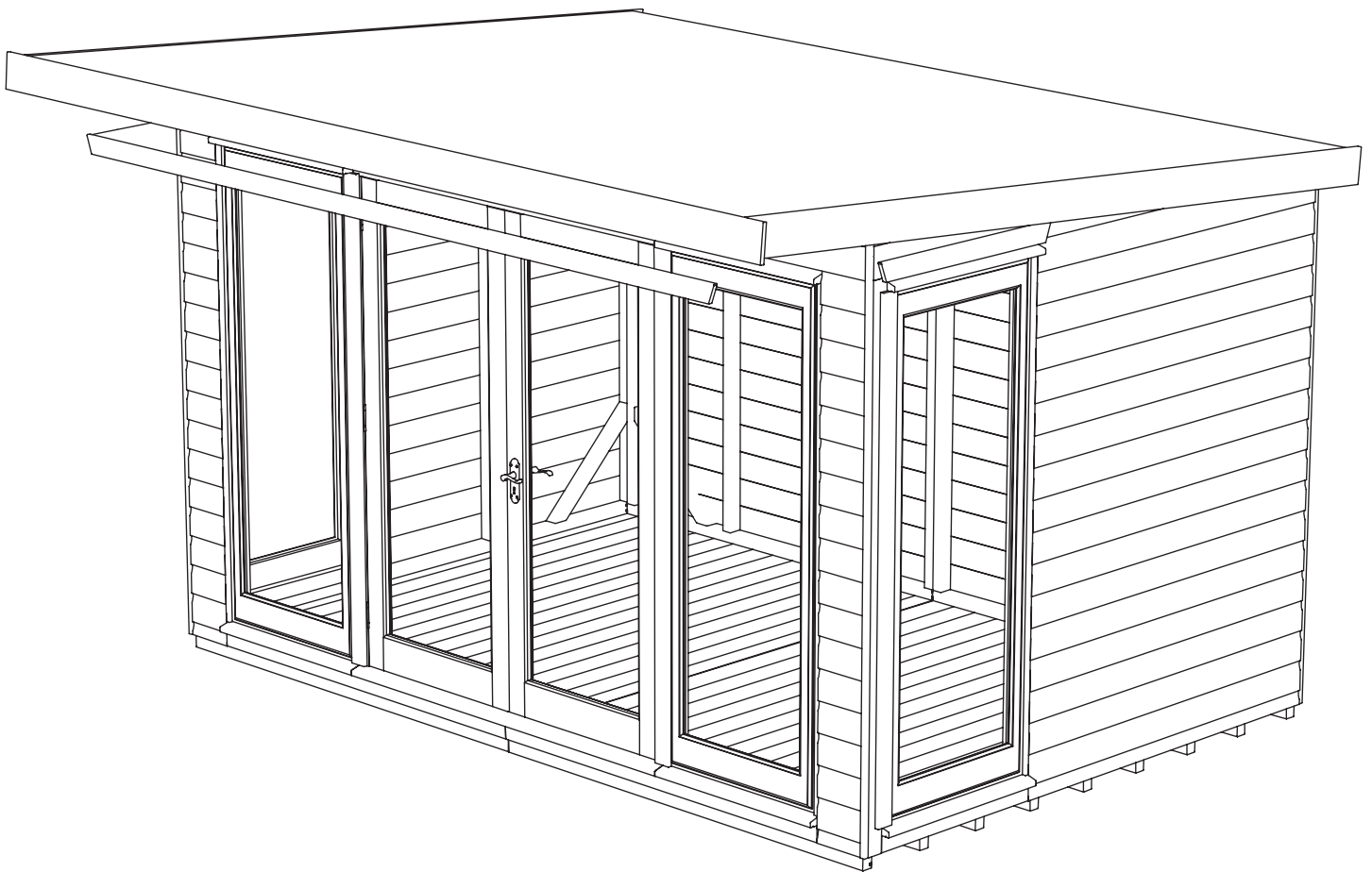
- Secure door/window cover strips in the gaps between door and windows and also on the gable end corners.
- Secure using 4x N40 per cover strip.
NOTE: THESE COVER STRIPS MAY NEED TRIMMING.
- Fix cover strip to hide join between low side panels. Secure to sides using 4x N40 per cover strips. *(Detail G)*
NOTE: THESE COVER STRIPS MAY NEED CUTTING TO SIZE.
NOTE: NOT TO BE CONFUSED WITH BARGEBOARD.
- Repeat for panel join on high side and between roof panels.



Step 12:

FIT HEADER FASCIAS

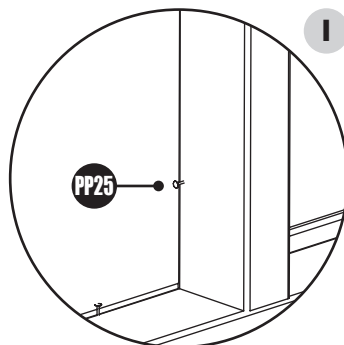
- Fit front header fascia to the front of garden studio as shown.
- Secure through fascia into front panel using 8x N40 per front header fascia. **(Detail H)**
**NOTE: ON LARGER GARDEN STUDIO, HEADER FASCIA MAY BE IN 2 PIECES.
BUTT FLUSH ENDS TOGETHER AND SECURE AS ABOVE.**
- Fit gable header fascia above windows.
- Secure through fascia into panel using 4x N40 per gable header fascia.



Step 13:

INSTALL GLAZING

- Glaze windows and doors by securing glass with PP25 supplied, from the inside. *(Detail I)*
NOTE: ALL WINDOWS MUST BE SEALED INSIDE AND OUT WITH SILICONE, PUTTY, OR ANY OTHER WATER-TIGHT SOLUTION. (NOT SUPPLIED).
- Contact our friendly customer support team to order a standard window glazing kit.



TIG/INS61



Head Office

Calverley Lane,
Rodley,
Leeds,
West Yorkshire,
LS13 1NP

Telephone: 0113 205 4189
Website: tigersheds.com
Email: customersupport@tigersheds.com



SCAN CODE!
TO SEE GENERAL ACCESSORY &
INSTALLATION VIDEO LIBRARY

