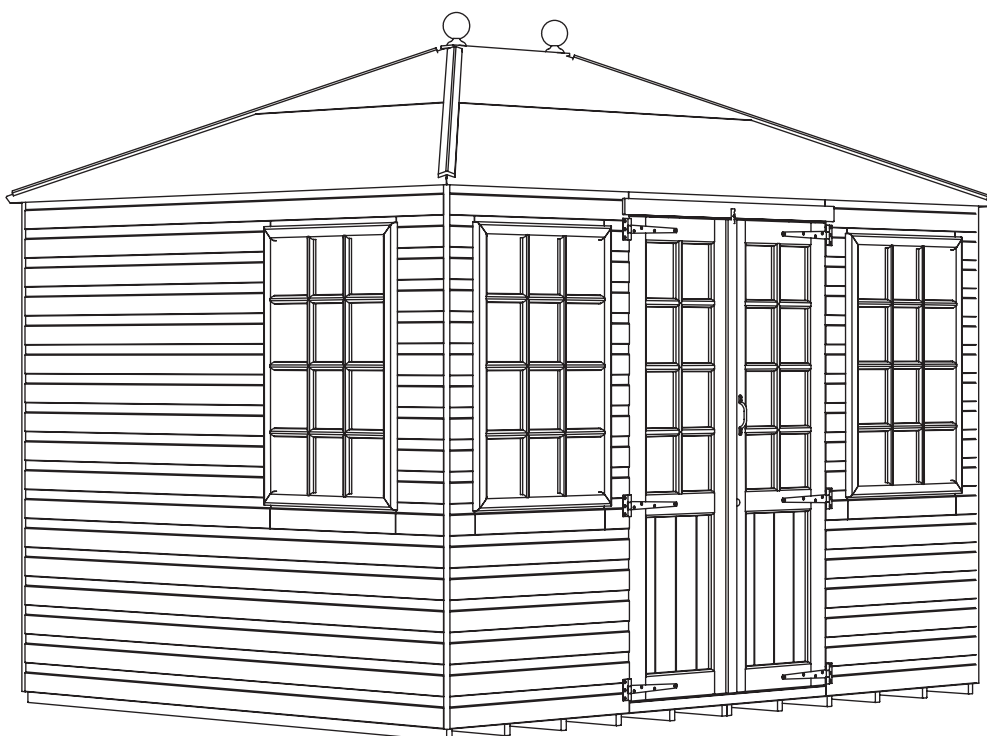


TIGER MAYFLOWER SUMMERHOUSE

GENERAL ASSEMBLY INSTRUCTIONS



BEFORE YOU GET STARTED

PLEASE READ INSTRUCTIONS CAREFULLY

- Check the pack and make sure you have all the parts listed.
- When you are ready to start, make sure you have the right tools at hand (not supplied).
- Ensure there is plenty of space and a clean dry area for assembly.

TIMBER

As with all natural materials, timber can be affected during various weather conditions. For the duration of heavy or extended periods of rain, swelling of the wooden panels may occur. Warping of the wood may also occur during excessive dry spells due to an interior moisture loss. Unfortunately, these processes cannot be avoided but can be mitigated. It is suggested that the outdoor building is sprayed with water during extended periods of warm sunshine and sheltered as much as possible during rain or snow.



SUMMER
CONTRACTION



WINTER
EXPANSION



WOOD WARPING
MAY OCCUR

To validate your guarantee and ensure longevity of the product, it is ESSENTIAL that your building is treated with an appropriate high-quality oil or solvent based preservative AFTER assembly, both internally and externally, and annually thereafter. All glazing units must be sealed (internally and externally) with silicone or other watertight sealant.

BUILDING A BASE

Care must be taken to ensure the product is placed on a suitable base. When thinking about where the building and base is going to be constructed, ensure that there will be access to all sides for maintenance work and annual treatment.

Ensure the base is firm and level and is built on firm ground, to prevent distortion.

The constructed base must be at least the size of product as referenced in supplied construct diagram. It is also recommended that the floor be at least 25mm above the surrounding ground level to avoid flooding.

TYPES OF BASE

- Durable plastic grid*
- Concrete 75mm laid on top of 75mm hard-core.
- Slabs laid on 50mm of sharp sand.
- Timber Base - Self constructed/Buy pre-made.



PLASTIC BASE



CONCRETE BASE



SLAB BASE



TIMBER BASE



BROKEN SLABS



BARE SOIL



LOOSE GRAVEL

**We recommend a Fastfit EcoBase for your building. It is durable, lightweight, flexible and easy to put in place. Please see [tigersheds.com](https://www.tigersheds.com) for details.*

CAUTION:

All buildings should be erected by two competent adults.



CAUTION:

It is advisable to wear gloves during building installation.



The mark of
responsible forestry
FSC® C125286



MADE IN THE UK SINCE 1913.

We have been making our high quality, great value garden buildings here in Britain for decades.

***TigerSkin® Water Based Treatment:**

The unique formula of our **TigerSkin®** pre-treatment provides a reassuring layer of protection for your shed or summer house. Each panel is carefully dipped and dried to provide maximum coverage and ensure that your building will have protection from the moment it arrives and is assembled. A water repellent formula which is harmless to plants, not only does it help to shield the timber, it also gives it a warm tone that looks great on your property. Once erected, your building should be treated annually, both internally and externally with an appropriate high-quality oil or solvent based preservative.

Whilst all products manufactured are made to the highest standards of safety, we cannot accept responsibility for your safety whilst erecting or using this product.

BEFORE YOU GET STARTED - PRE ASSEMBLY

TOOLS REQUIRED:

We recommend using the following tools (not supplied):



HAMMER



RUBBER Mallet



LADDER



TAPE MEASURE



SHARP KNIFE



SPIRIT LEVEL



SCREWDRIVER +



WOOD SAW



SPANNER

FIXING KIT GUIDES:

FX03 - NAIL KITS MEDIUM

For Shed Products With 7ft to 9ft Sides:

- CN13** Clout Nails (*13mm Galvanised - QTY 230*)
- PP25** Panel Pins (*25mm - QTY 140*)
- N40** Nail (*40mm Galvanised - QTY 50*)
- NG5** Nail (*65mm Bright - QTY 40*)
- CB80** Coach Bolts (*80mm - QTY 8*)

FX04 - NAIL KITS LARGE

For Shed Products With 10ft to 13ft Sides:

- CN13** Clout Nails (*13mm Galvanised - QTY 300*)
- PP25** Panel Pins (*25mm - QTY 140*)
- N40** Nail (*40mm Galvanised - QTY 85*)
- NG5** Nail (*65mm Bright - QTY 60*)
- CB80** Coach Bolts (*80mm - QTY 8*)

BUILDING PACK CONTENTS:

For full details of what should be included please see the itemised packing list that is supplied with the delivery.

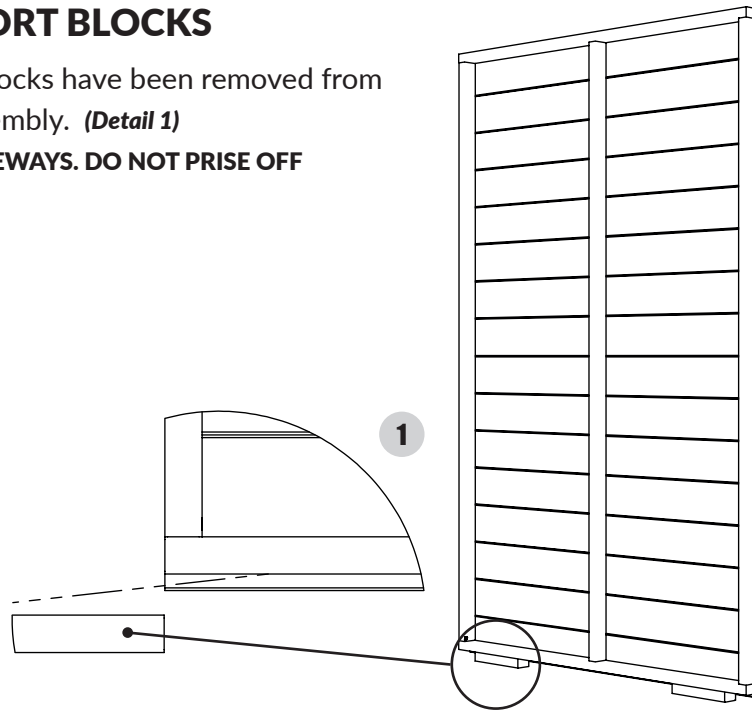
They are also available on request in pdf form from our helpful Customer Support team – please call:

0113 205 4189 or use the “Items Delivered Query” form at [tigersheds.com/contact](https://www.tigersheds.com/contact).

REMOVE TRANSPORT BLOCKS

- Make sure transport blocks have been removed from side panels before assembly. *(Detail 1)*

NOTE: HAMMER OFF SIDEWAYS. DO NOT PRIZE OFF



- Assembly is straightforward if you follow these step-by-step instructions.
- We recommend getting everything aligned properly before screwing together and that **screw holes should be pre-drilled to avoid splitting the timber.** *(Do not come pre-drilled).*

IMPORTANT

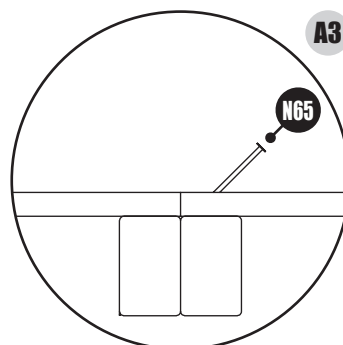
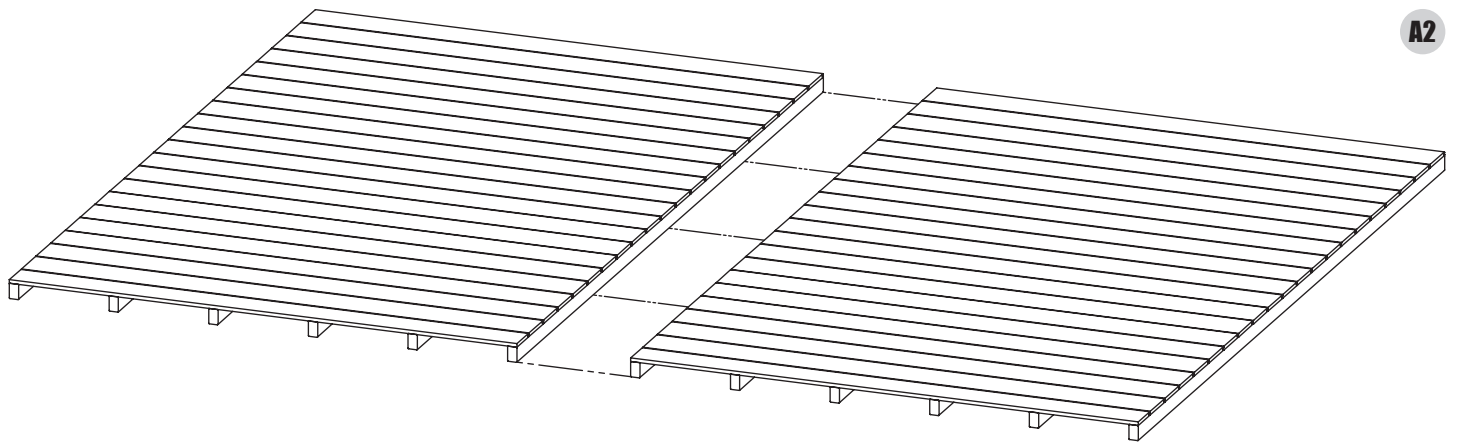
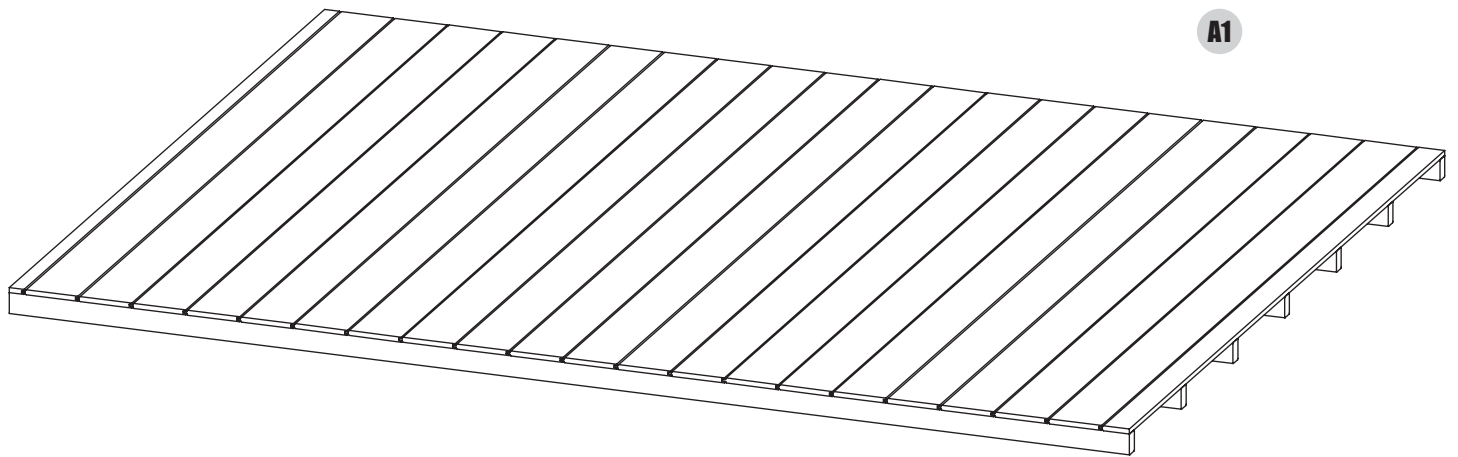
- Before assembly, please make sure you have a suitable base ready to erect your building on.
- Your base **MUST** be firm and level to ensure that the building is assembled properly and is square.
- **DO NOT** start your build until you have checked that all the parts of your building are present, correct and in a suitable condition.
- Panels may have become twisted during loading/unloading and/or transportation. Please check that all framing and cladding are square before beginning assembly.
- Make sure all transport blocks have been removed from panels.
- If you are organising a third party to install your building, it is best practice not to schedule this immediately on receipt of your order, to give you time to check your delivery

TIGER MAYFLOWER - GENERAL ASSEMBLY INSTRUCTIONS

Step 1:

LAYING THE FLOOR

- **SINGLE FLOOR** - Lay floor down in the desired position. **(Detail A1)**
- **MULTI FLOOR** - 10x8 & 12x8 models. The bearers may run in the opposite direction. Butt together as shown. **(Detail A2)**
- Join using 4x N65 evenly spaced through floor bearers at an angle. **(Detail A3)**



Step 2:

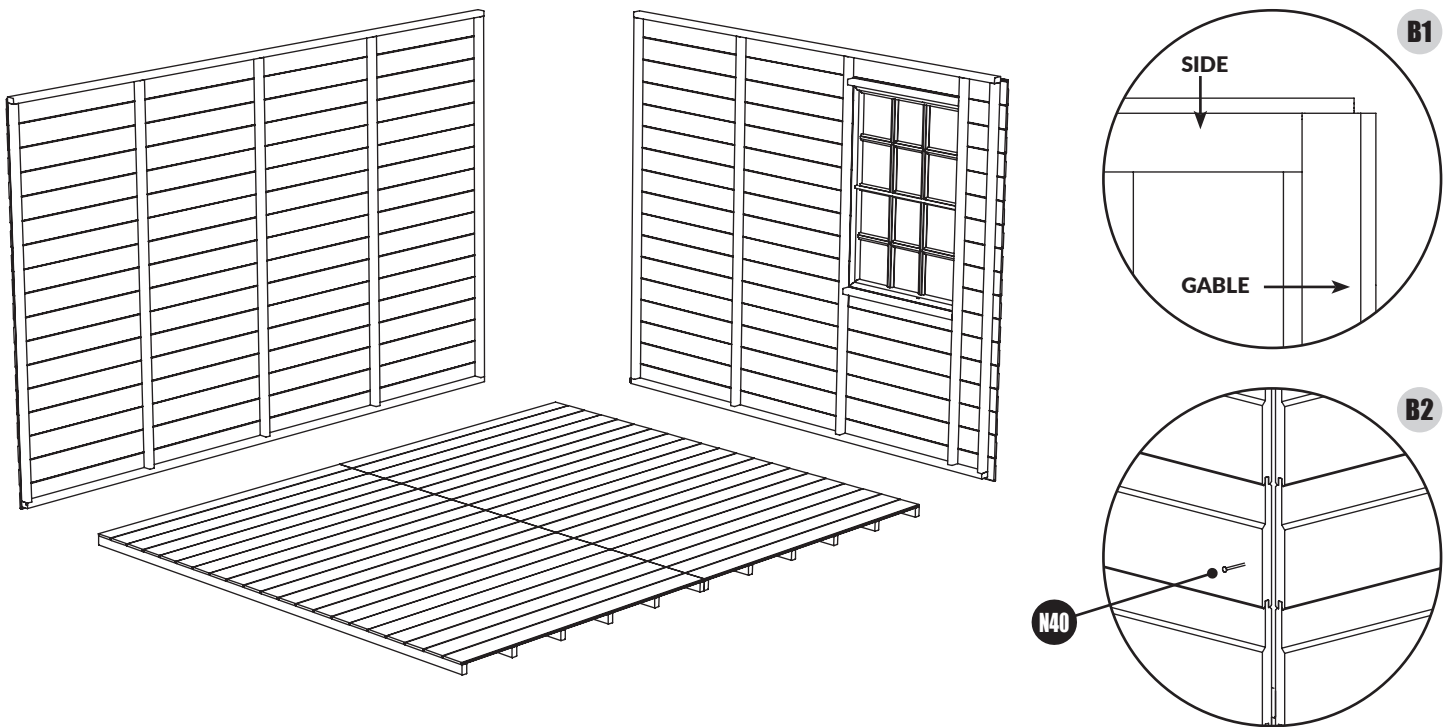
INSTALLING SIDE AND GABLE PANELS

- Position one end gable and side panel as shown. *(Detail B1)*

NOTE: CHECK THAT ALL PANELS ARE AT RIGHT ANGLES TO EACH OTHER AND THE FLOOR.

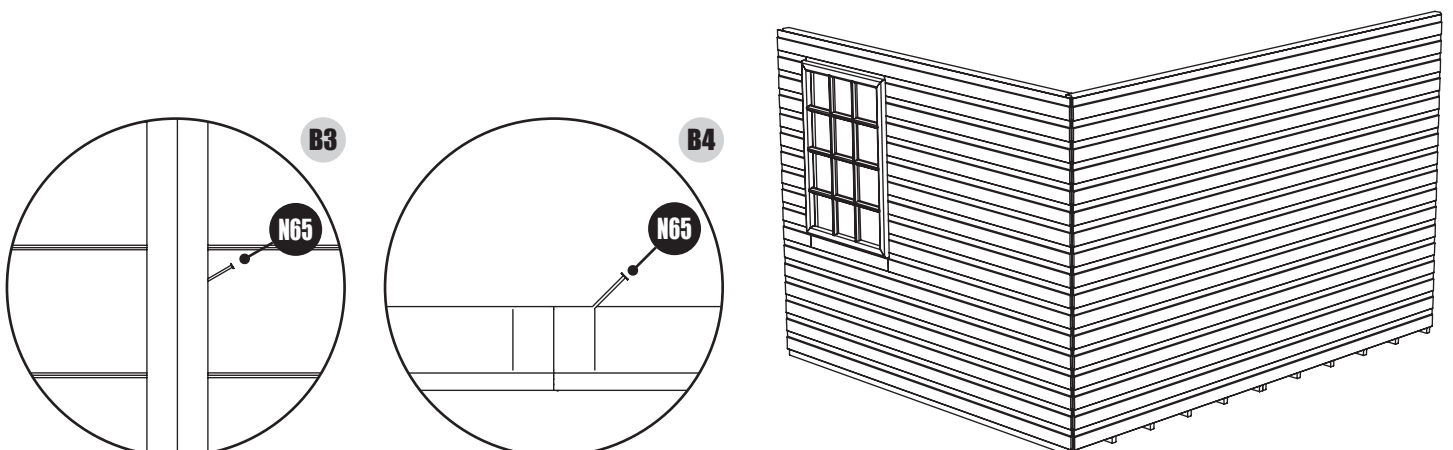
NOTE: CHECK ALL TRANSPORT BLOCKS HAVE BEEN REMOVED BEFORE FITTING PANELS.

- Secure together with 5x N40 evenly spaced. *(Detail B2)*
- Repeat process for remaining gable and side panel.



- For side panels made of 2 or more sections, secure together using 3x N65 evenly spaced through internal framework. *(Detail B3 & B4)*

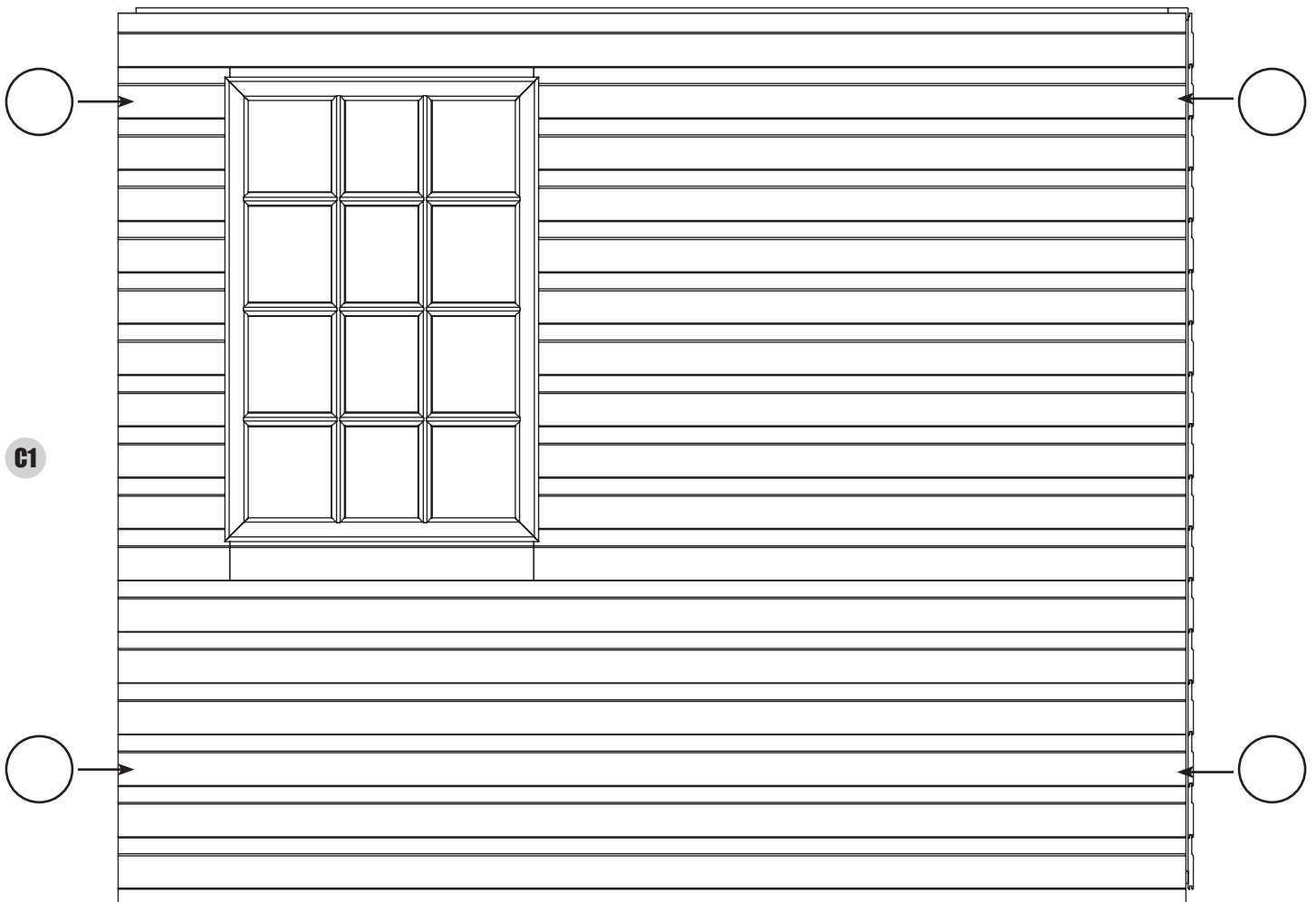
DO NOT FIX TO FLOOR.

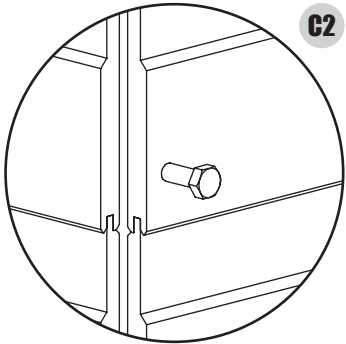


Step 3:

SECURING SIDE AND GABLE PANELS

- Locate pre-drilled holes in gable panels. *(Detail C1)*
NOTE: THESE MAY HAVE COVERED OVER DURING PANEL COATING PROCESS. THEY MAY RESEMBLE NAIL HEADS.
- Use 4x CB80 per gable, through the pre-drilled holes in each gable, from the outside. *(Detail C2)*
NOTE: DO NOT FULLY TIGHTEN.
- Check panels are square by measuring between points shown. *(Detail C3)*
- If measurements are equal, your panels are square. If not, manually adjust to suit.
NOTE: DO NOT TRIM.
- Secure panels to the floor using 2x N65 per panel. Ensure the N65 are driven through the panels and into the floor bearers. *(Detail C4)*
NOTE: PANELS HAVE BEEN REMOVED FOR CLARITY.
- Tighten 8x CB80. *(Detail C5)*
NOTE: CHECK THAT ALL PANELS ARE AT RIGHT ANGLES TO EACH OTHER AND THE FLOOR.

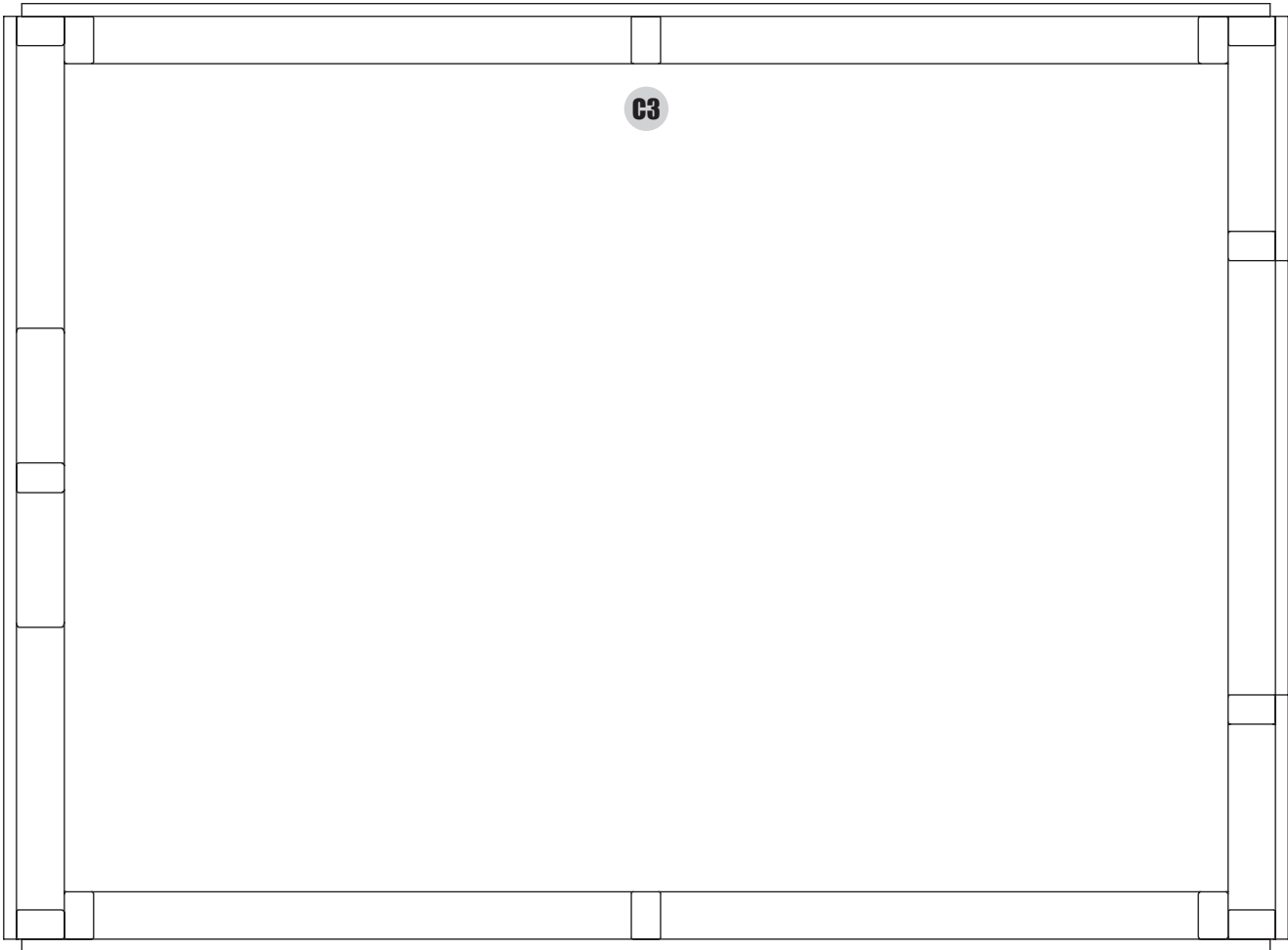




C2

1

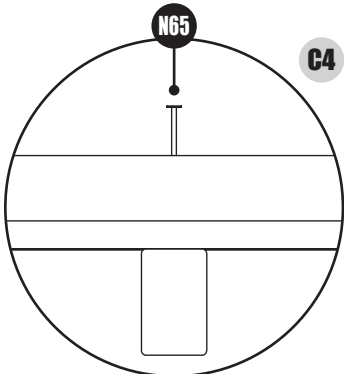
2



C3

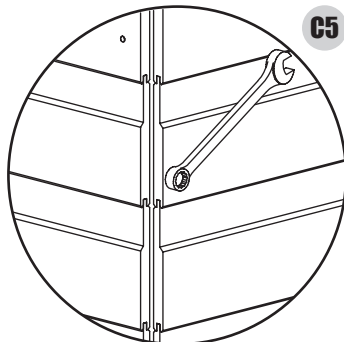
2

1



N65

C4



C5

TOP TIP
Use the line of nails securing the floorboards to the bearers as a guide to make sure you correctly secure panels to the floor.

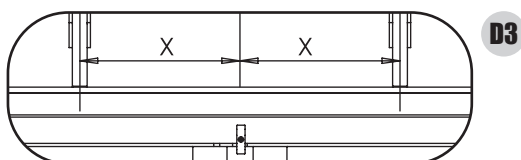
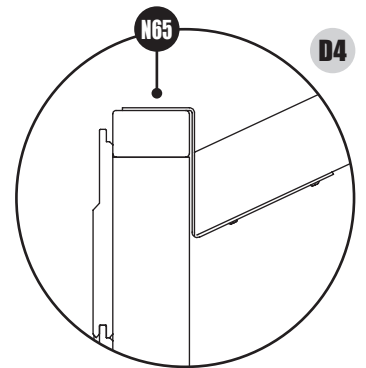
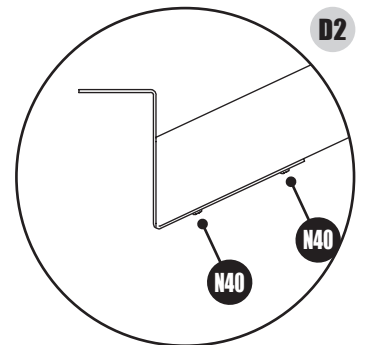
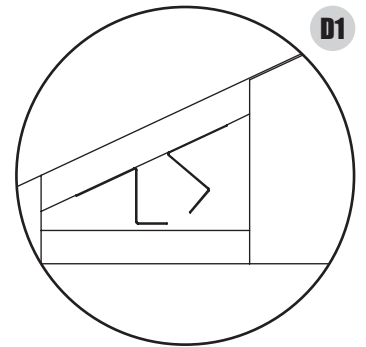
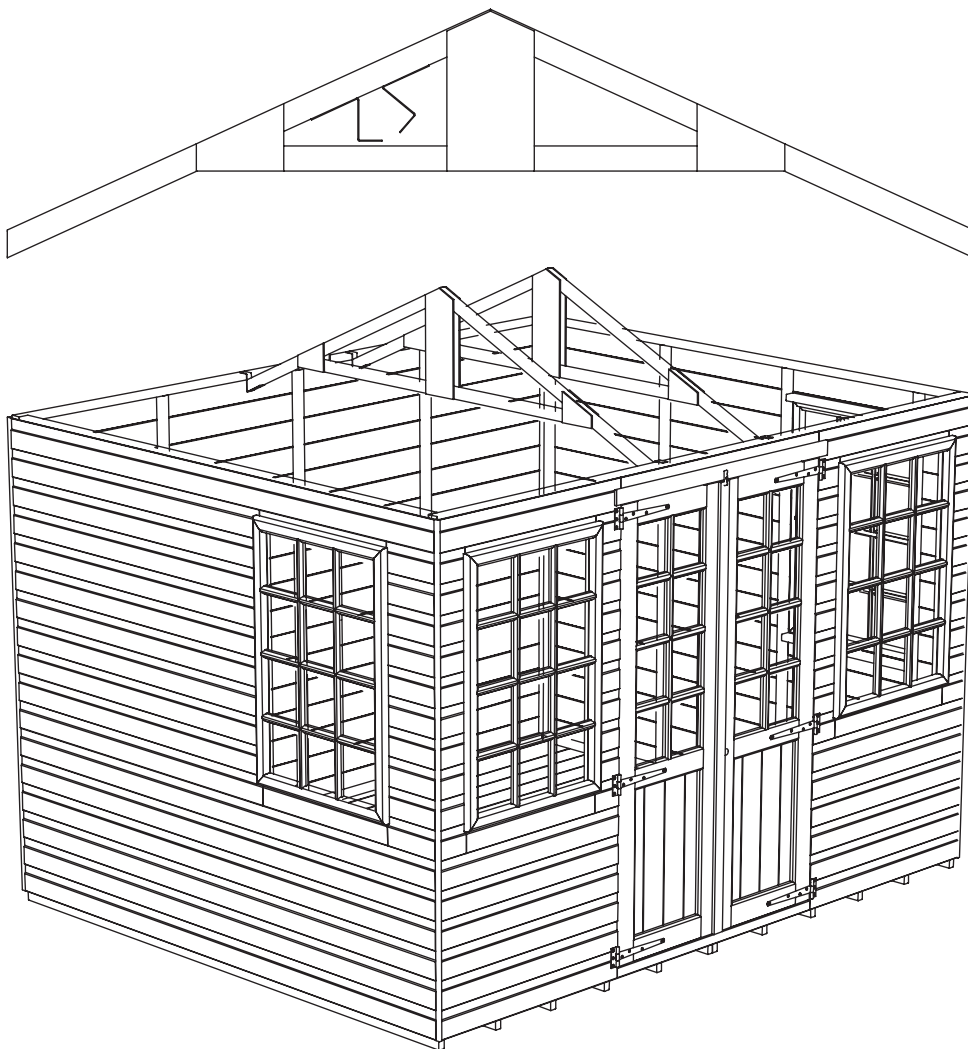
TIGER MAYFLOWER - GENERAL ASSEMBLY INSTRUCTIONS

Step 4:

INSTALLING ROOF TRUSSES *(Certain Sizes Only)*

- Products with sides 10ft & 12ft are supplied with x2 truss (inc. clips).
- **NOTE: 8x8 MAYFLOWER SUMMERHOUSE NOT SUPPLIED WITH TRUSS.**
- Carefully remove metal “Z” clips that are attached to the rafter of the roof truss. *(Detail D1)*
- Reattach to the ends of the truss arms using 2x N40. *(Detail D2)*
- Position the trusses as shown. Measure from centre of side panel. *(Detail D3)*
- Secure through the “Z” clips into upright framing in the panels using x2 N65 per clip. *(Detail D4)*
- Repeat for all other clips.

NOTE: CHECK THAT ALL PANELS ARE AT RIGHT ANGLES TO EACH OTHER AND THE TRUSS.



10FT - X=294MM / 12FT - X=594MM

TOP TIP
Have someone hold the truss while you fix to the panels.
This will avoid twisting and tipping.

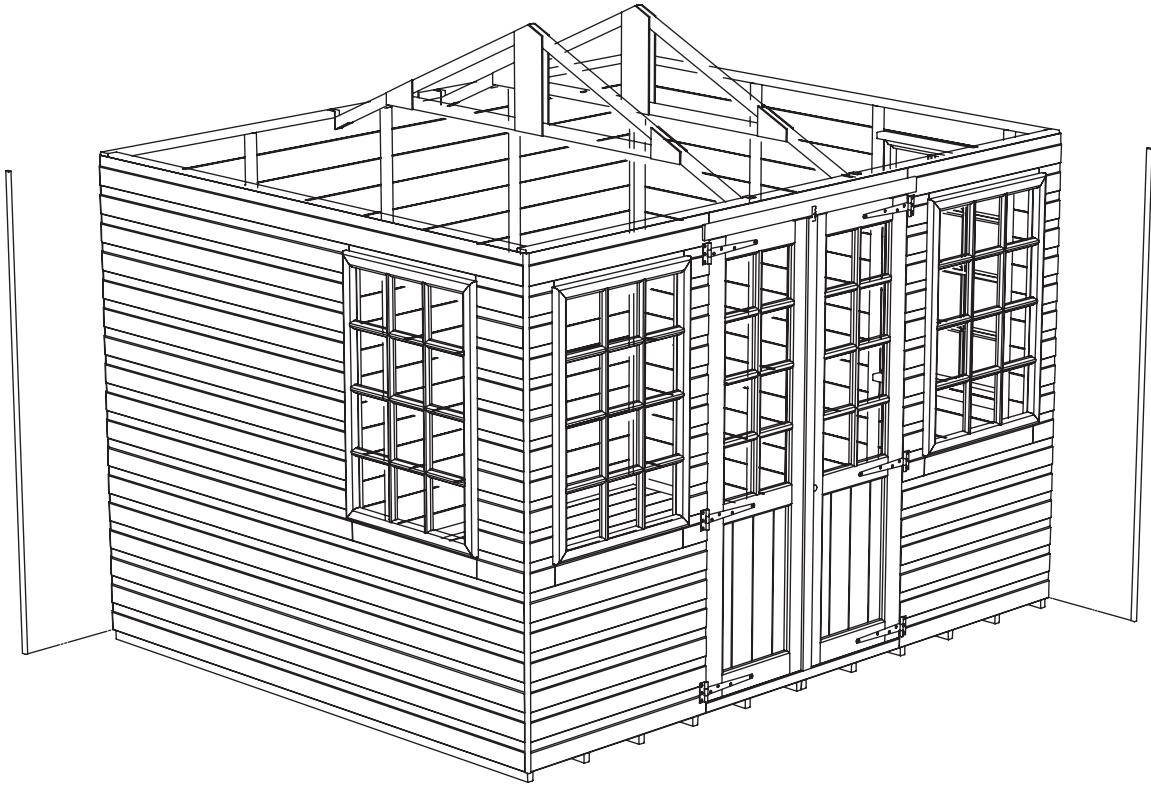
Step 5:

FIT CORNER STRIPS AND COVER STRIPS - CERTAIN SIZES ONLY

- Secure the corner strips at each corner of the shed with 4x N40 per corner strip.

NOTE: THESE CORNER STRIPS MAY NEED CUTTING TO SIZE.

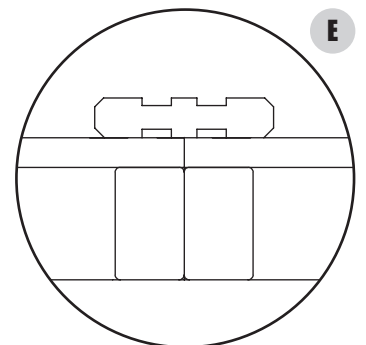
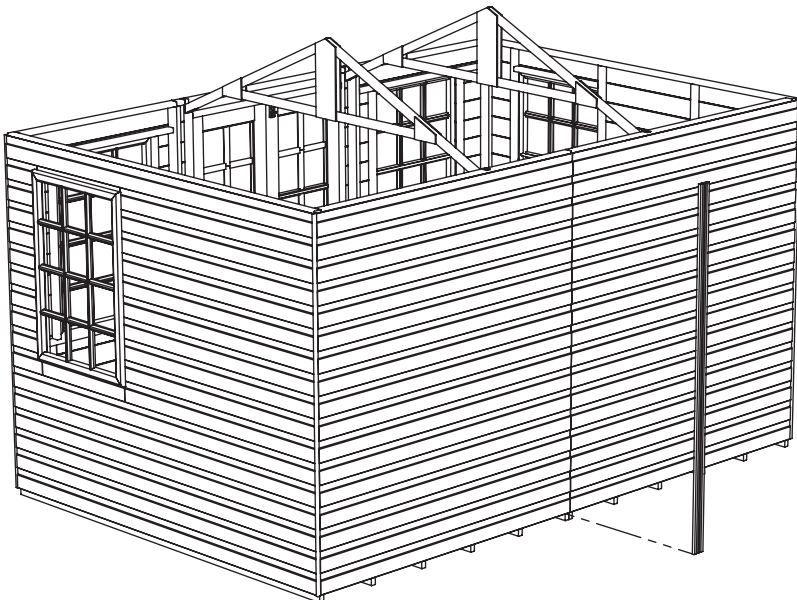
NOTE: NOT TO BE CONFUSED WITH WINDOW BEADING.



- On sheds with a join in the side panels, use cover strip to hide join. Secure to sides using 4x N40 per cover strip. *(Detail E)*

NOTE: THESE COVER STRIPS MAY NEED CUTTING TO SIZE.

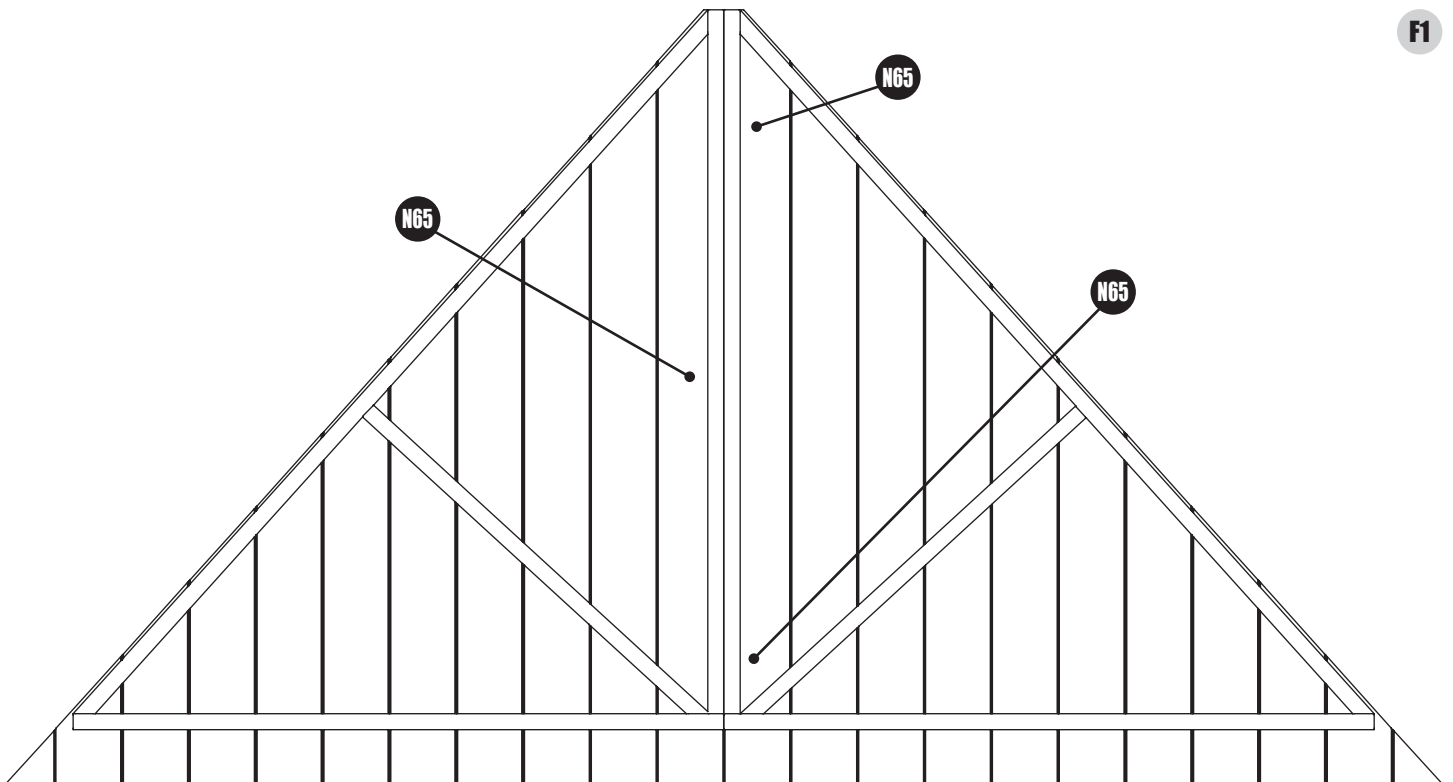
NOTE: NOT TO BE CONFUSED WITH BARGEBOARD.



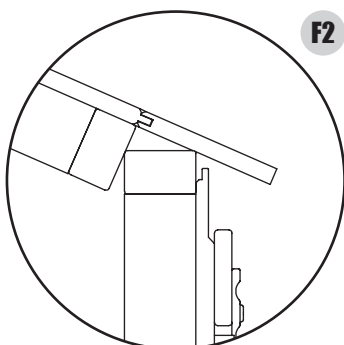
Step 6a: **T**

8X8W ROOF INSTALLATION

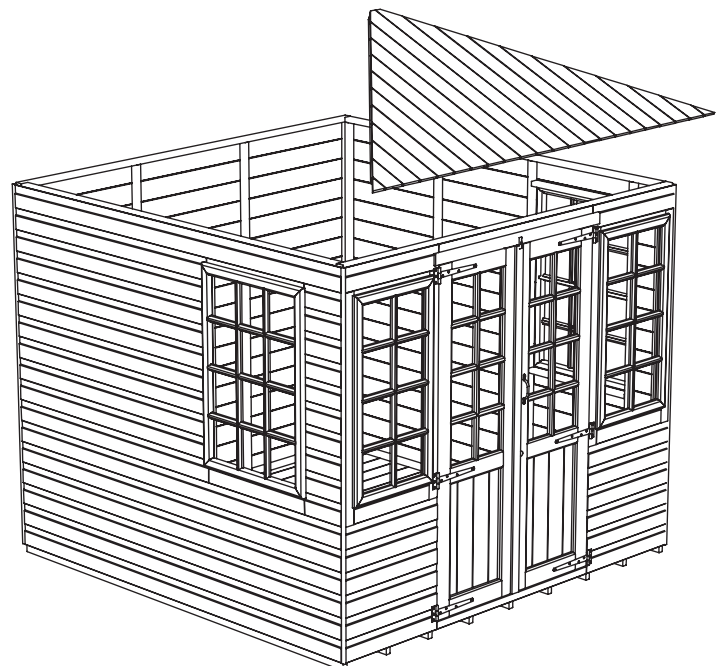
- Fix 1x A & 1x B roof panels together using 3x N65 evenly spaced per section. **(Detail F1)**
- For extra strength, we recommend securing through both sides of the framing of each panel. Repeat for all other roof panels.
- Hook the joined roof panels onto the top of wall panels. **(Detail F2)**
- Guide top of joined roof panels into acorn base and lower until panels are "locked in".



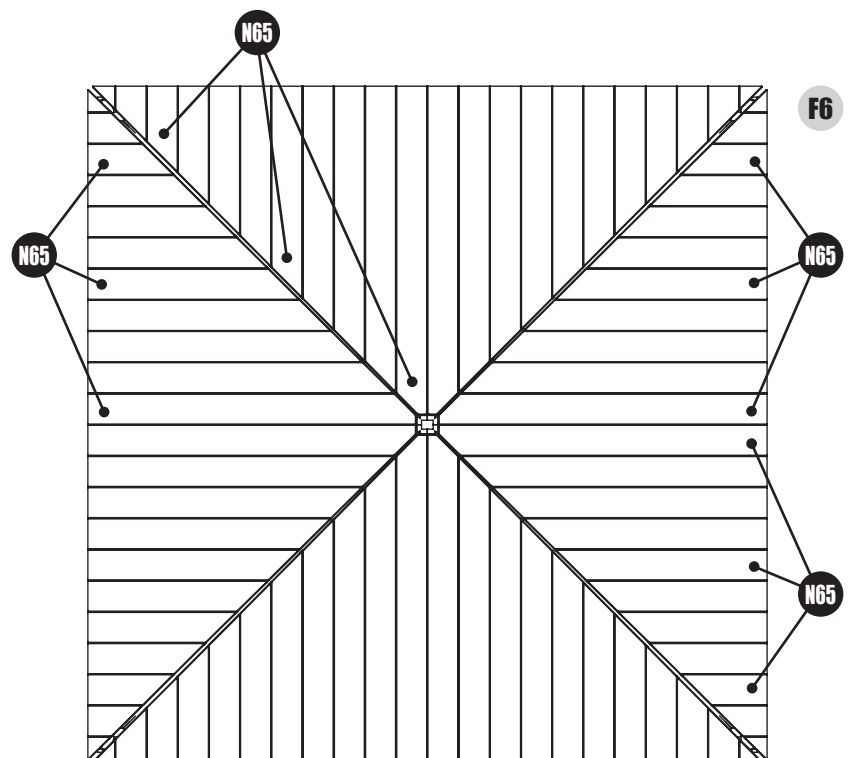
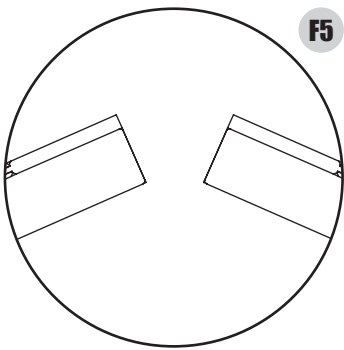
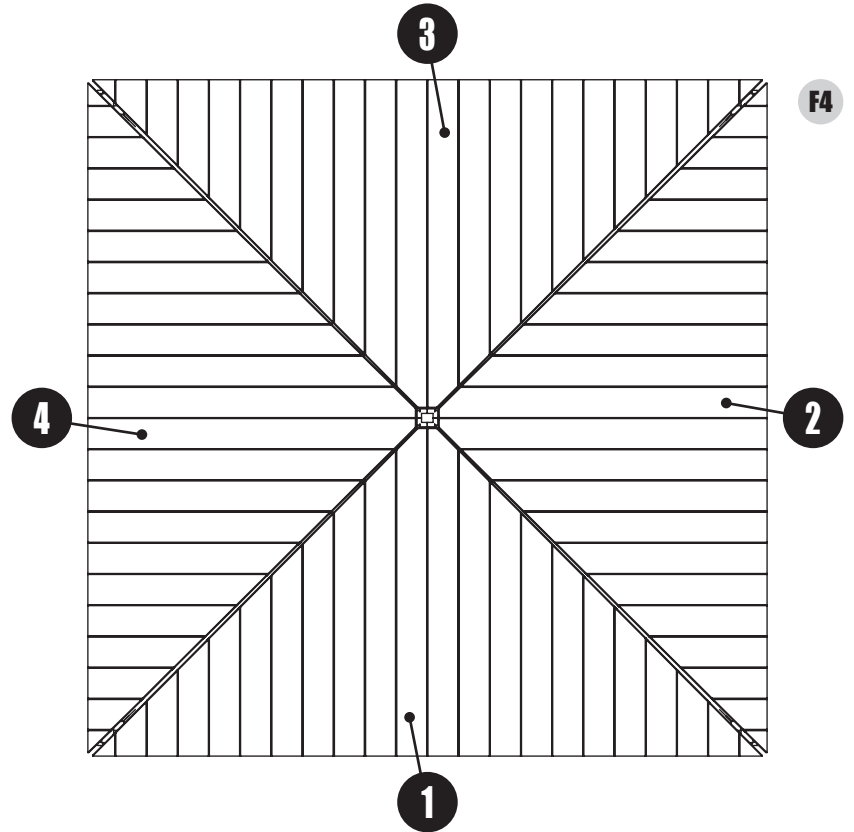
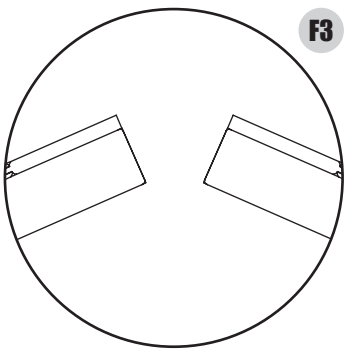
F1



F2



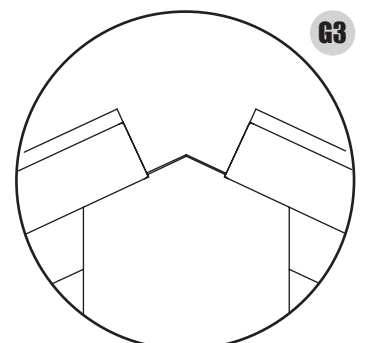
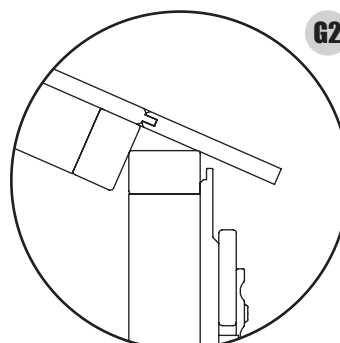
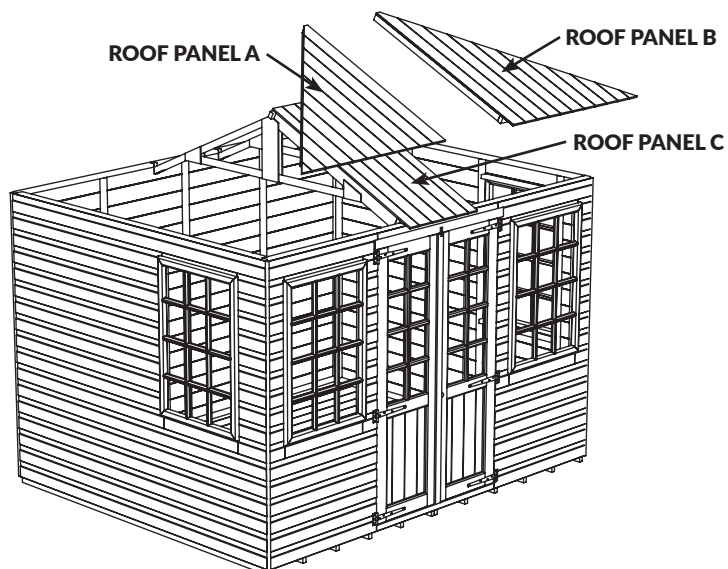
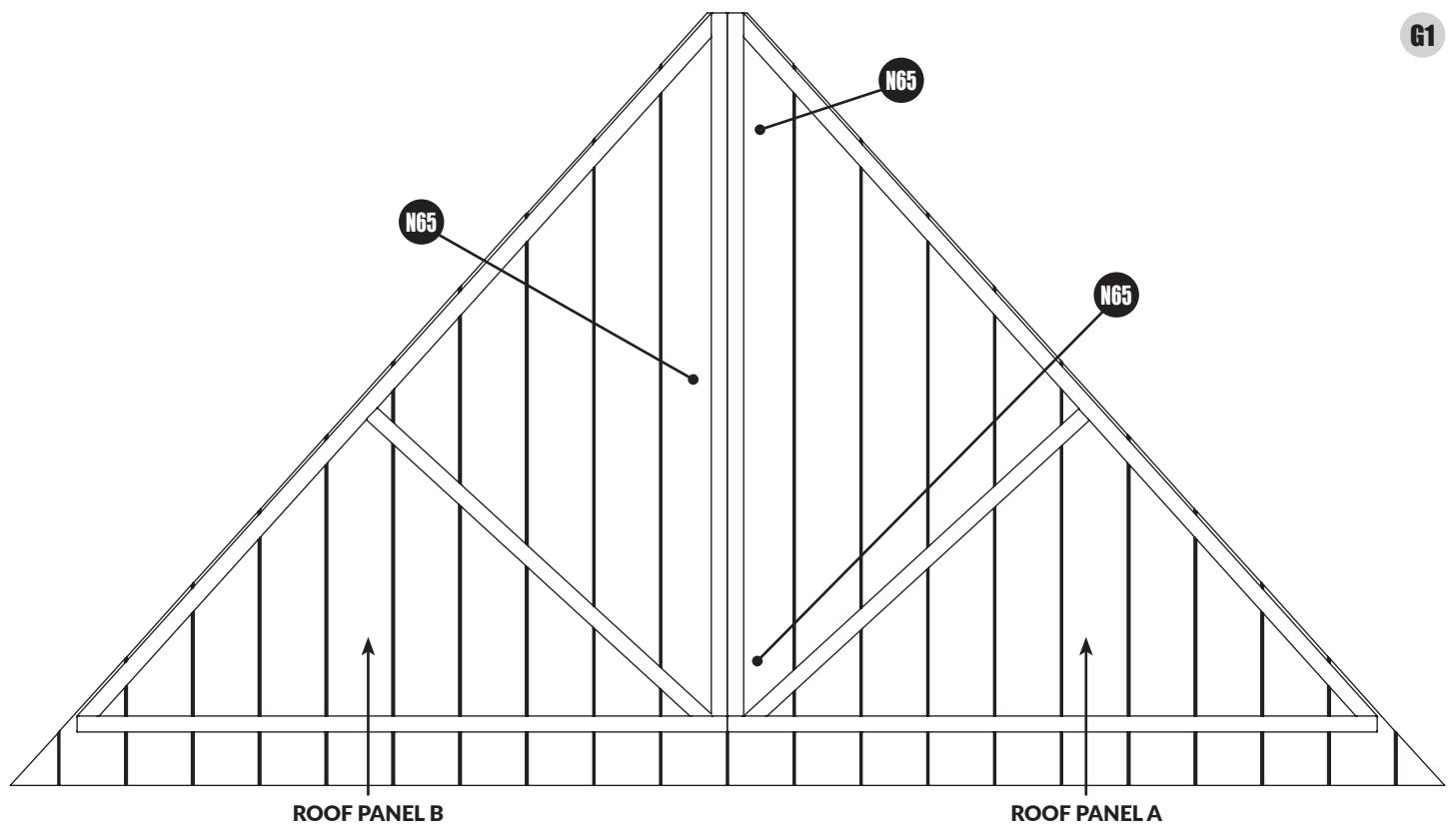
- For remaining roof panels, push acorn base upward, slightly loosening the roof and catch the new panel edge then lower to "lock in". **(Detail F3)** For order of panel installation. **(Detail F4)**
- Secure through acorn base using 2x N65 per joined roof panel. **(Detail F5)**
- Secure roof panels to wall panels using 6x N65 equally spaced per joined roof panel. **(Detail F6)**
- Secure roof panels to each other internally using 6x N65 evenly spaced per ridge. **(Detail F6)**



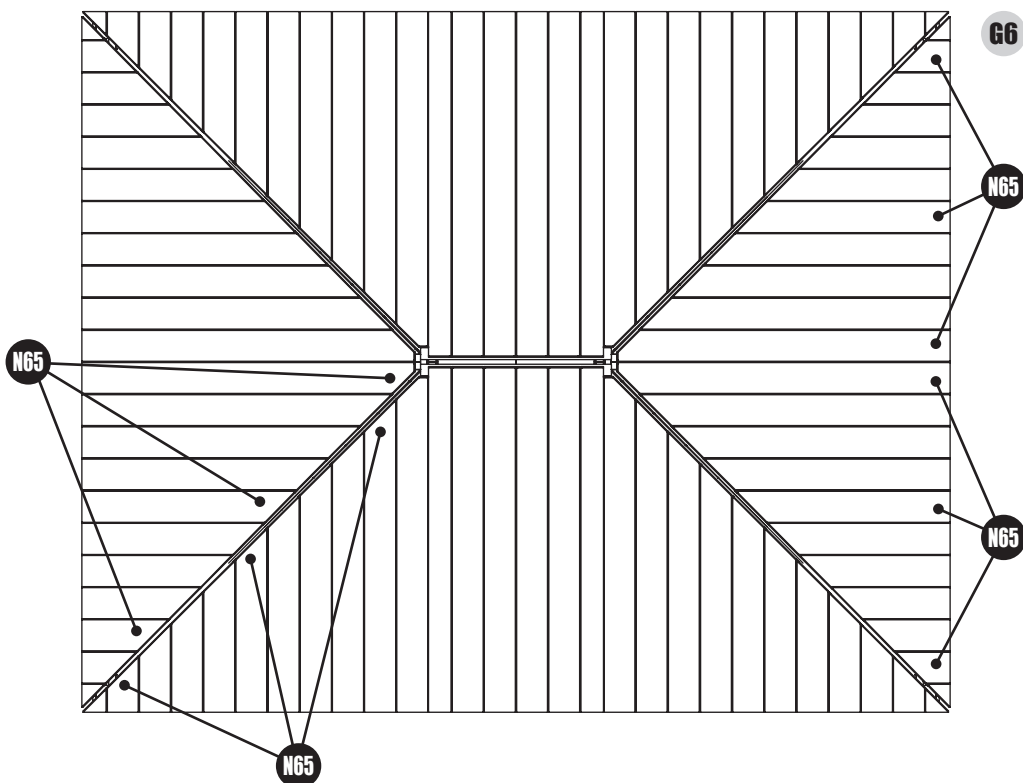
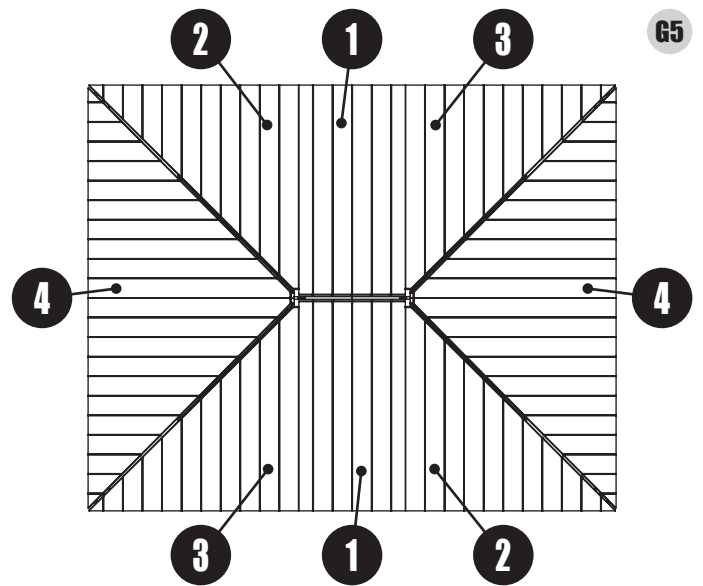
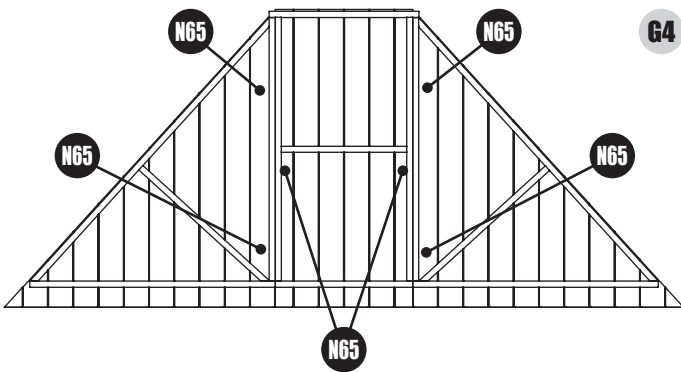
Step 6b:

10X8W & 12X8W ROOF INSTALLATION

- Fix 1x A & 1x B roof panels (AB) together using 3x N65 evenly spaced per section. *(Detail G1)*
- Repeat for one more set of panels. For extra strength, we recommend securing through both sides of the framing of each panel.
- Lower roof panel C onto the top of wall panels and truss. *(Detail G2 & G3)*
- Secure to truss using 2x N40 per panel per truss. Repeat for other side.



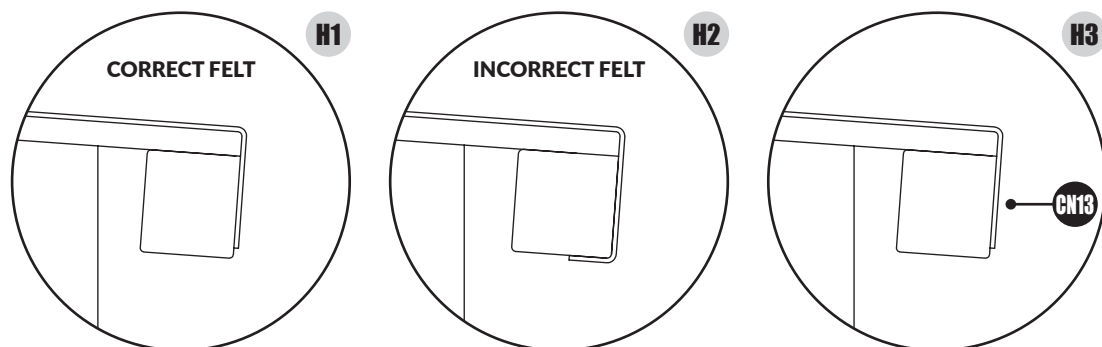
- Butt 1x roof panel A and 1x roof panel B roof to Panel C (ABC) and secure together using N65 evenly spaced per section. **(Detail G4)**
- Repeat for one more set of panels.
- For assembled AB roof panels, lower onto the top of wall panels and into gap between ABC panels.
- For order of panel installation. **(Detail G5)**
- Secure roof panels to each other internally using 6x N65 evenly spaced per ridge. **(Detail G6)**
- Secure roof panels to wall panels using 6x N65 equally spaced per joined roof panel. **(Detail G6)**



Step 7:

FELTING THE ROOF - MEASURE AND CUT BEFORE FITTING

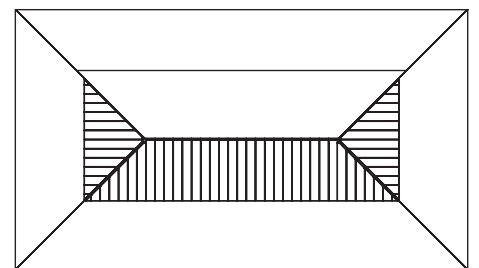
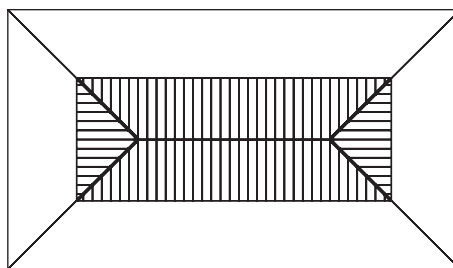
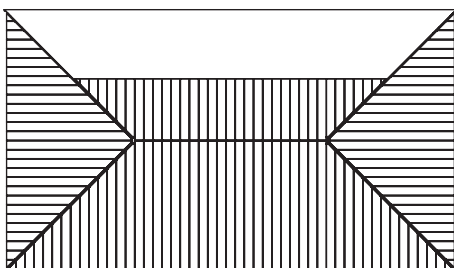
- Roll felt out onto a clean flat surface 30 minutes before you need it so it has a chance to flatten out.
- Measure length of roof and cut each strip of felt to size. Use a straight edge to guide cutting.
- Roll cut felt piece along low side of roof, Section 1, leaving sufficient overhang to fold down onto roof edge. Do not fold underneath roof. **(Detail H1 & H2)**
- Once felt is rolled out, fix to roof using CN13 both ends, making sure felt is straight. Secure through skirting using CN13 at approx. 100mm intervals. **(Detail H2)**
- Ensure the felt is =tight, secure the top side of felt using CN13 at approx. 100mm intervals. **(Detail H3)**
- Trim felt to match roof ridge. **(See Step 7-1)**
- Repeat for remaining felt, working from the low side of roof to the high side, overlapping the felt by 75mm until the roof is fully covered. **(Detail H3 / See Step 7-2 - 7-4)**
- Cut 10m length supplied into 4x lengths of 2.5m Use the 2.5m pieces to cover the ridges where the felt overlaps. Secure using CN13 along edges of the felt at 100mm intervals. **(See Step 7-5)**
- Use 4m to cover all felt pieces at apex of summerhouse. Secure using CN13 at 100m intervals. **(See Step 7-6)**



STEP 7-1

STEP 7-2

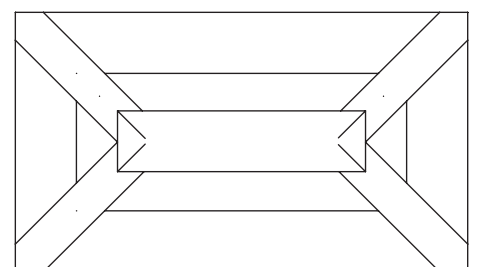
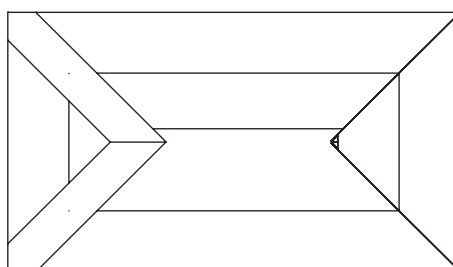
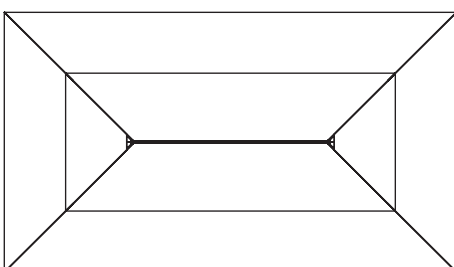
STEP 7-3



STEP 7-4

STEP 7-5

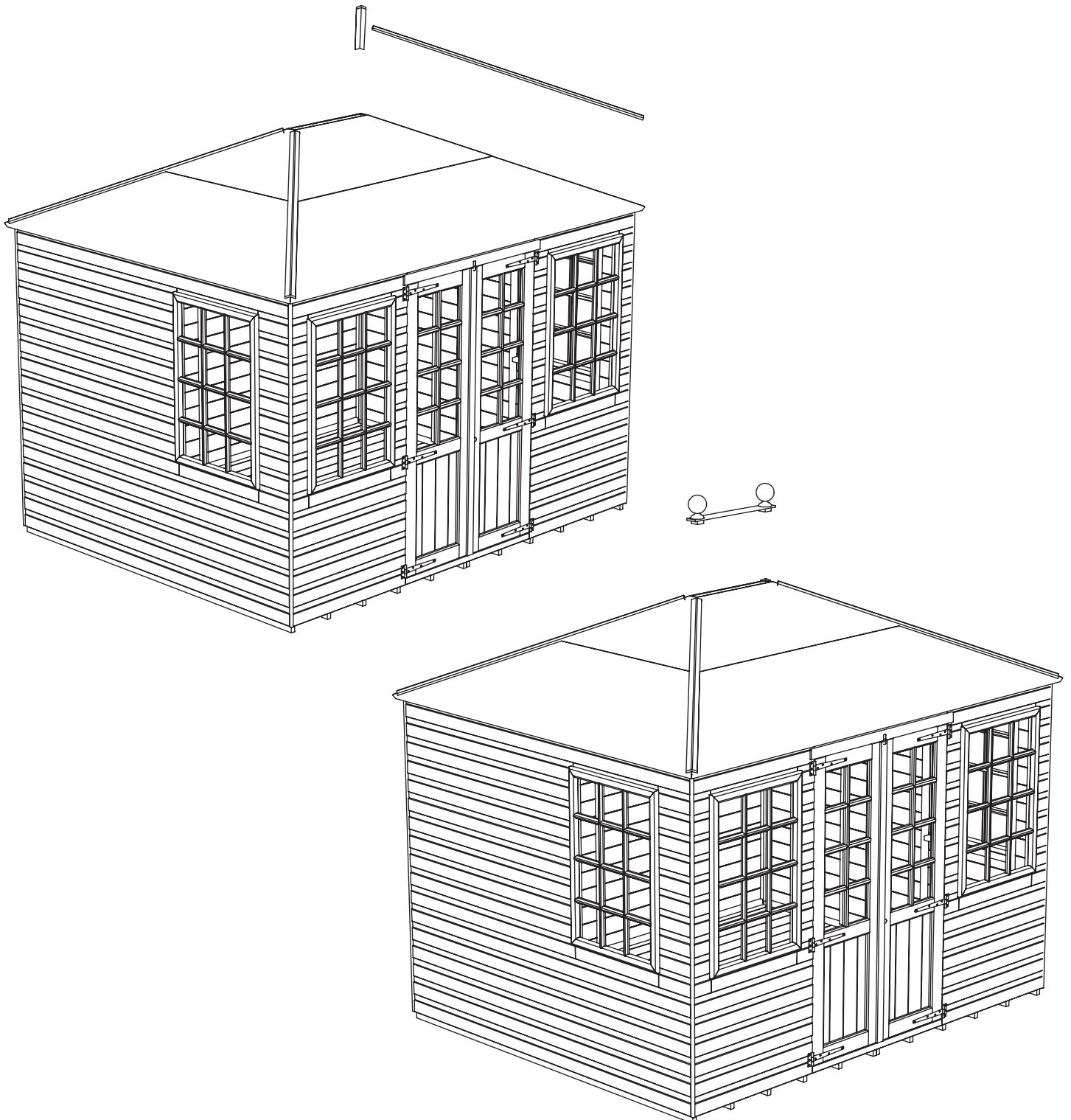
STEP 7-6



Step 8:

FITTING WOODEN RIDGE COVERS AND ACORN(S)

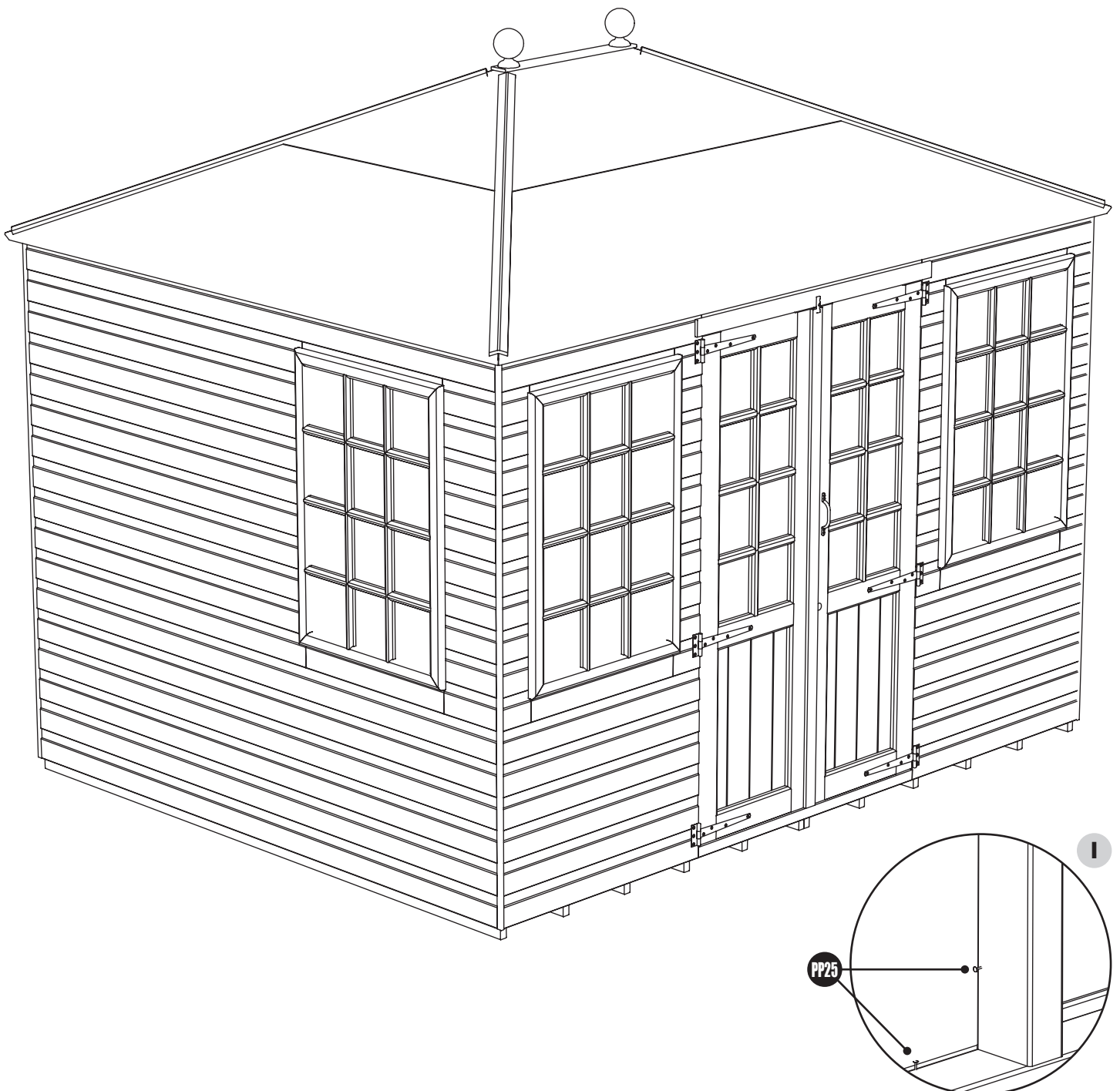
- Fit wooden ridge covers as shown. Secure through roof into framing using 6x N40 per ridge.
NOTE: THERE ARE NO BARGEBOARDS SUPPLIED FOR LOW SIDE OF ROOF AS THIS WILL PREVENT EFFECTIVE WATER DRAINAGE.
- Fit wooden top piece and acorns as shown. Secure through roof into framing using 4x N40.
NOTE: 8x8w MODEL HAS ONLY ONE ACORN.



Step 9:

INSTALL GLAZING

- Glaze windows by securing glass/styrene with PP25 supplied, from the inside. *(Detail I)*
NOTE: ALL WINDOWS MUST BE SEALED INSIDE AND OUT WITH SILICONE, PUTTY, OR ANY OTHER WATER-TIGHT SOLUTION. (NOT SUPPLIED)
NOTE: PLEASE DO NOT CONFUSE YOUR CORNER STRIPS WITH WINDOW BEADING. WE DO NOT SUPPLY WINDOW BEADING AS STANDARD WITH OUR BUILDINGS UNLESS ORDERED.
- Contact our friendly customer support team to order a standard window glazing kit, complete with beading and sealant.





Head Office

Calverley Lane,
Rodley,
Leeds,
West Yorkshire,
LS13 1NP

Telephone: 0113 205 4189
Website: tigersheds.com
Email: customersupport@tigersheds.com



SCAN CODE!
TO SEE GENERAL ACCESSORY &
INSTALLATION VIDEO LIBRARY

