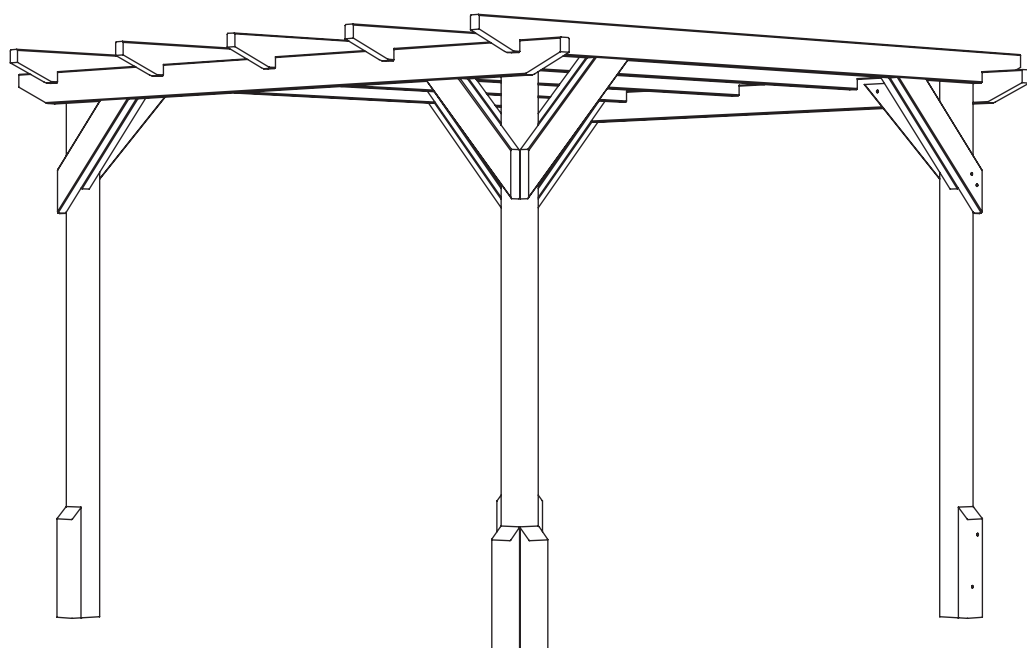


TIGER STANDARD PERGOLA

GENERAL ASSEMBLY INSTRUCTIONS



BEFORE YOU GET STARTED

PLEASE READ INSTRUCTIONS CAREFULLY

- Check the pack and make sure you have all the parts listed.
- When you are ready to start, make sure you have the right tools at hand (not supplied).
- Ensure there is plenty of space and a clean dry area for assembly.

TIMBER

As with all natural materials, timber can be affected during various weather conditions. For the duration of heavy or extended periods of rain, swelling of the wood logs may occur. Warping of the wood may also occur during excessive dry spells due to an interior moisture loss. Unfortunately, these processes cannot be avoided but can be mitigated. It is suggested that the outdoor building is sprayed with water during extended periods of warm sunshine and sheltered as much as possible during rain or snow.



SUMMER
CONTRACTION



WINTER
EXPANSION



WOOD WARPING
MAY OCCUR

Please do not paint or treat your pergola timbers before assembly as they must stay dry for a snug tongue and groove fit. To validate your guarantee and ensure longevity of the product, it is ESSENTIAL that your building is treated with an appropriate high-quality oil or solvent based preservative AFTER assembly, both internally and externally, then annually thereafter.

BUILDING A BASE

Care must be taken to ensure the product is placed on a suitable base. When thinking about where the building and base is going to be constructed, ensure that there will be access to all sides for maintenance work and annual treatment.

Ensure the base is firm and level and is built on firm ground, to prevent distortion.

The constructed base must be at least the size of framing as referenced in supplied construct diagram.

RECOMMENDED TYPES OF BASE

- Concrete 75mm laid on top of 75mm hard-core.
- Slabs laid on 50mm of sharp sand.
- Timber base - Self constructed/Buy pre-made.



CONCRETE BASE



SLAB BASE



TIMBER BASE



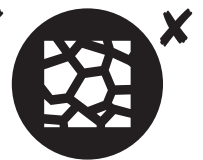
PLASTIC BASE



BROKEN SLABS



BARE SOIL



LOOSE GRAVEL

CAUTION:

All buildings should be erected by two competent adults.



CAUTION:

It is advisable to wear safety gloves during building installation.



Whilst all products manufactured are made to the highest standards of safety, we cannot accept responsibility for your safety whilst erecting or using this product.



The mark of responsible forestry

FSC® C125286



MADE IN THE UK SINCE 1913.

We have been making our high quality, great value garden buildings here in Britain for decades.

GO WITH THE PRO!:

We understand how busy life can be. Our Pro-Installation service can take the stress and strain out of assembling your quality Tiger building for you. We recommend using professional and dedicated installers to erect your building. With their knowledge and experience, they will ensure that your cabin is put properly in place ready for you to enjoy your space for years to come.

If you have not booked our Pro-Installation service and would like to arrange an installation, please contact our friendly customer support team on **0113 205 4189** (Mon – Fri 9am-5pm) or email **sales@tigersheds.com**.

- The pro-install team will contact you to arrange a suitable time and date for the fitting.
- Sit back, relax and let our professional home installation service do all the hard work for you!
- Please view our Pro Installation page on our website for full terms and conditions.

BEFORE YOU GET STARTED

TOOLS REQUIRED

We recommend using the following tools (not supplied):



HAMMER



RUBBER Mallet



DRILL



LADDER



TAPE MEASURE



SHARP KNIFE



SPIRIT LEVEL



SCREWDRIVER +



WOOD SAW

FIXING KIT CONTENTS:



S70 Screws (70mm - QTY 55)



S100 Screws (100mm - QTY 10)

ASSEMBLY

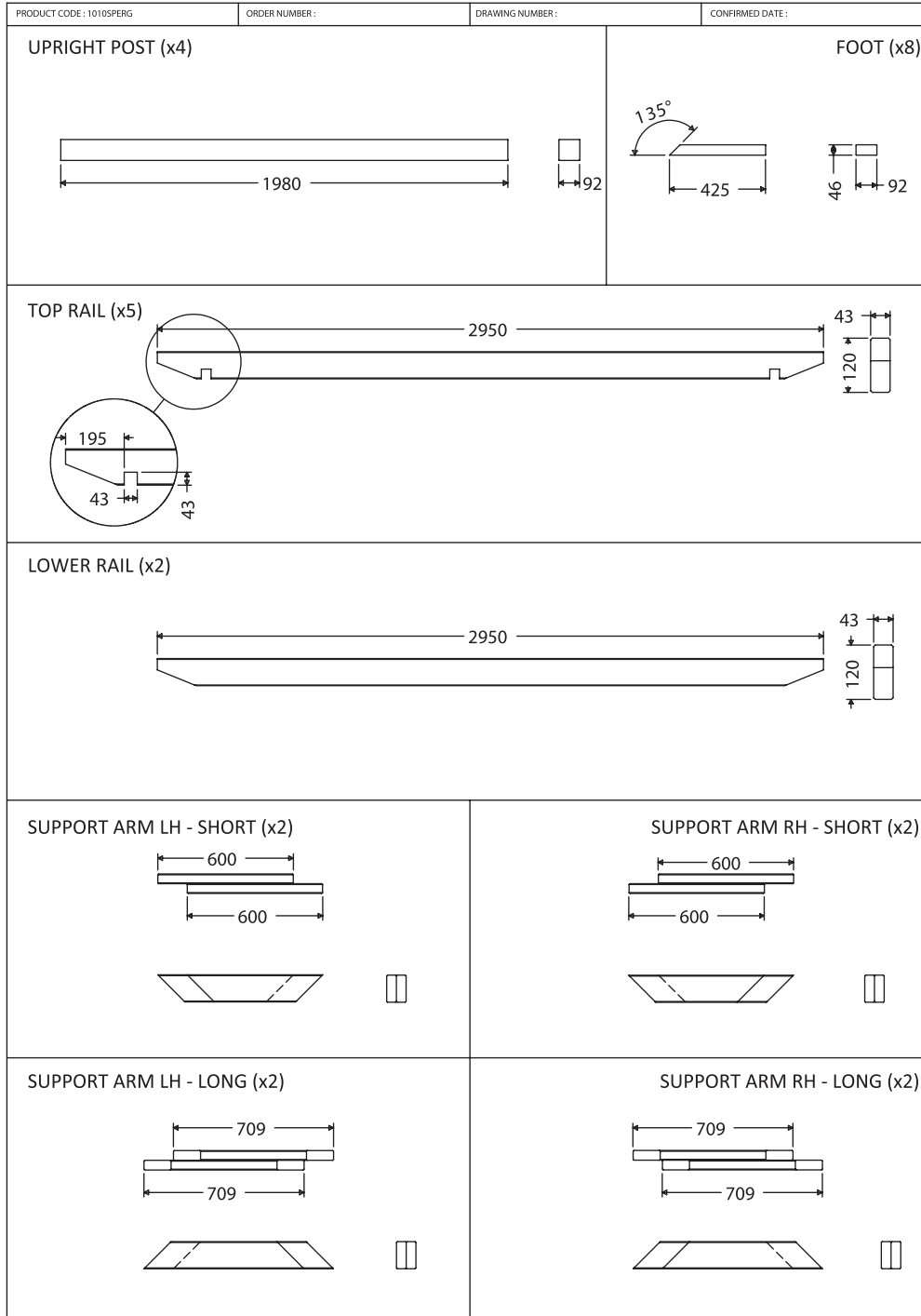
- Assembly is straight forward if you follow these step-by-step instructions.
- We recommend getting everything aligned properly before screwing together and that screw holes should be pre-drilled to avoid splitting the timber. (Do not come pre-drilled).

IMPORTANT

- Before assembly, please make sure you have a suitable base ready to erect your building on.
- Your base **MUST** be firm and level to ensure that the building is assembled properly and is square.
- Please carefully remove the packaging and unpack the components in your delivery.
- **DO NOT** start your build until you have checked that all the parts of your building are present and in a suitable condition.
- If you are organising a third party to install your building, it is best practice not to schedule this immediately on receipt of your order, to give you time to check your delivery.

BUILDING PACK CONTENTS:

For full details of what should be included please see the Module Pack List that is supplied with the delivery. They are also available on request in pdf form from our helpful Customer Support team – please call **0113 205 4189** for Customer Support or use the Items Delivered Query form at tigersheds.com/contact.



Unpacking The Pergola.

- Carefully remove all packaging and remove the pergola components.
NOTE: PARTS MAY HAVE BECOME LOOSE OR MOVED DURING TRANSPORTATION.
- Lay components on a dry, horizontal surface.

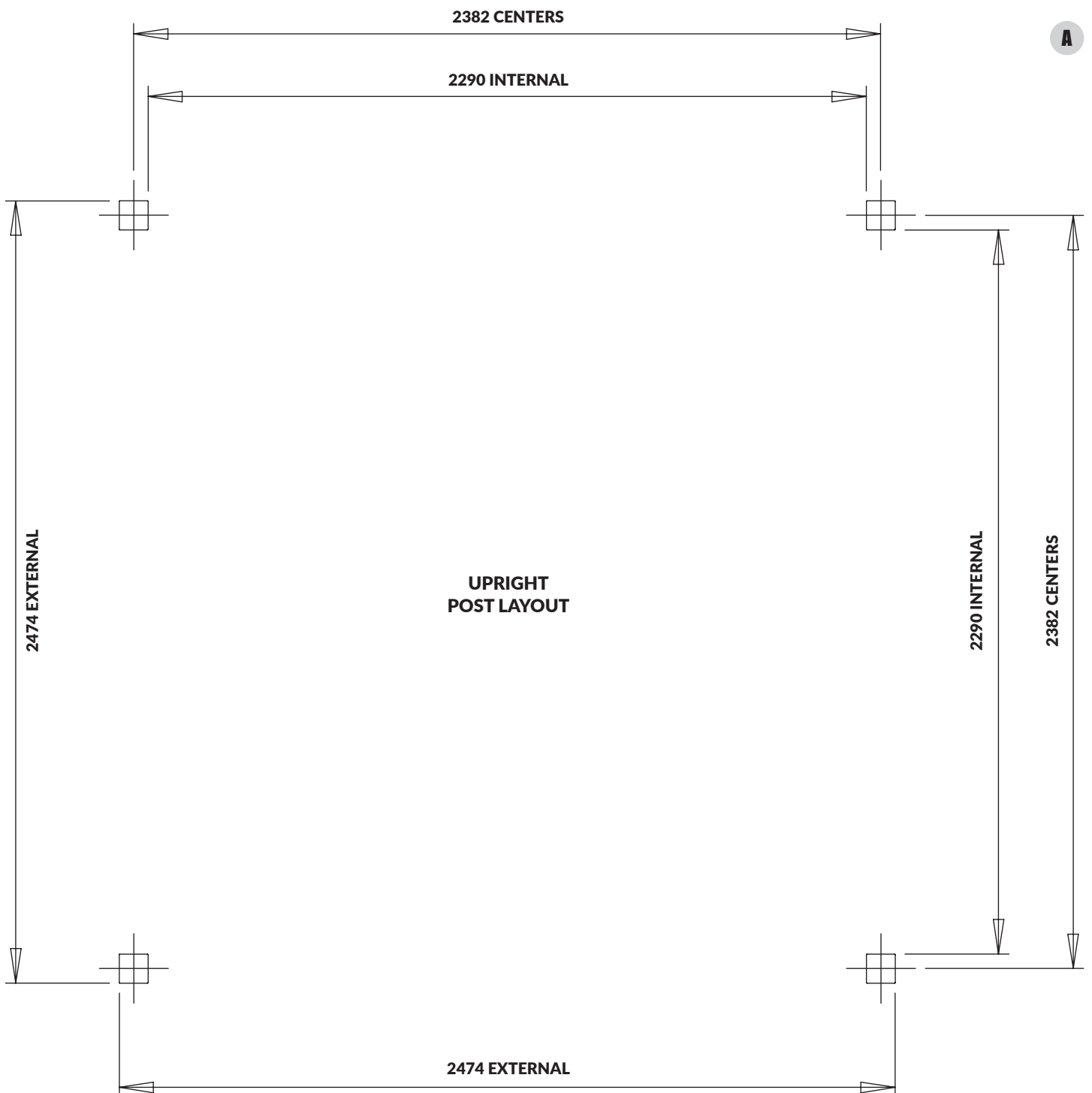
TIGER STANDARD PERGOLA GENERAL INSTRUCTIONS

IMPORTANT:

Customer to supply own fixings
for type of ground.
Posts 92mm square.



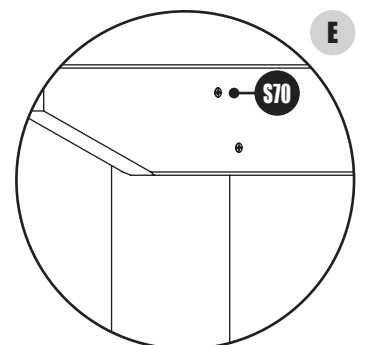
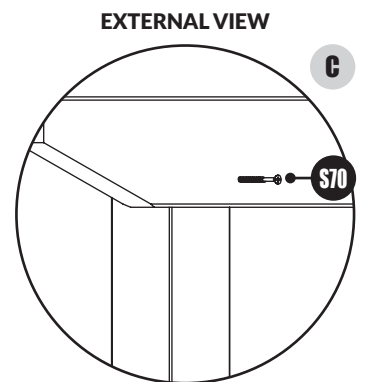
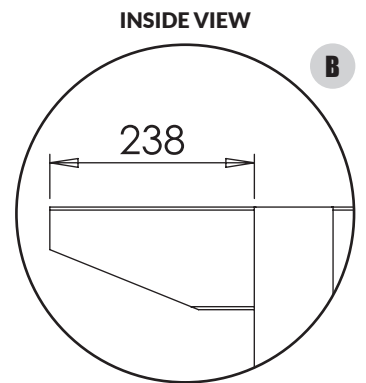
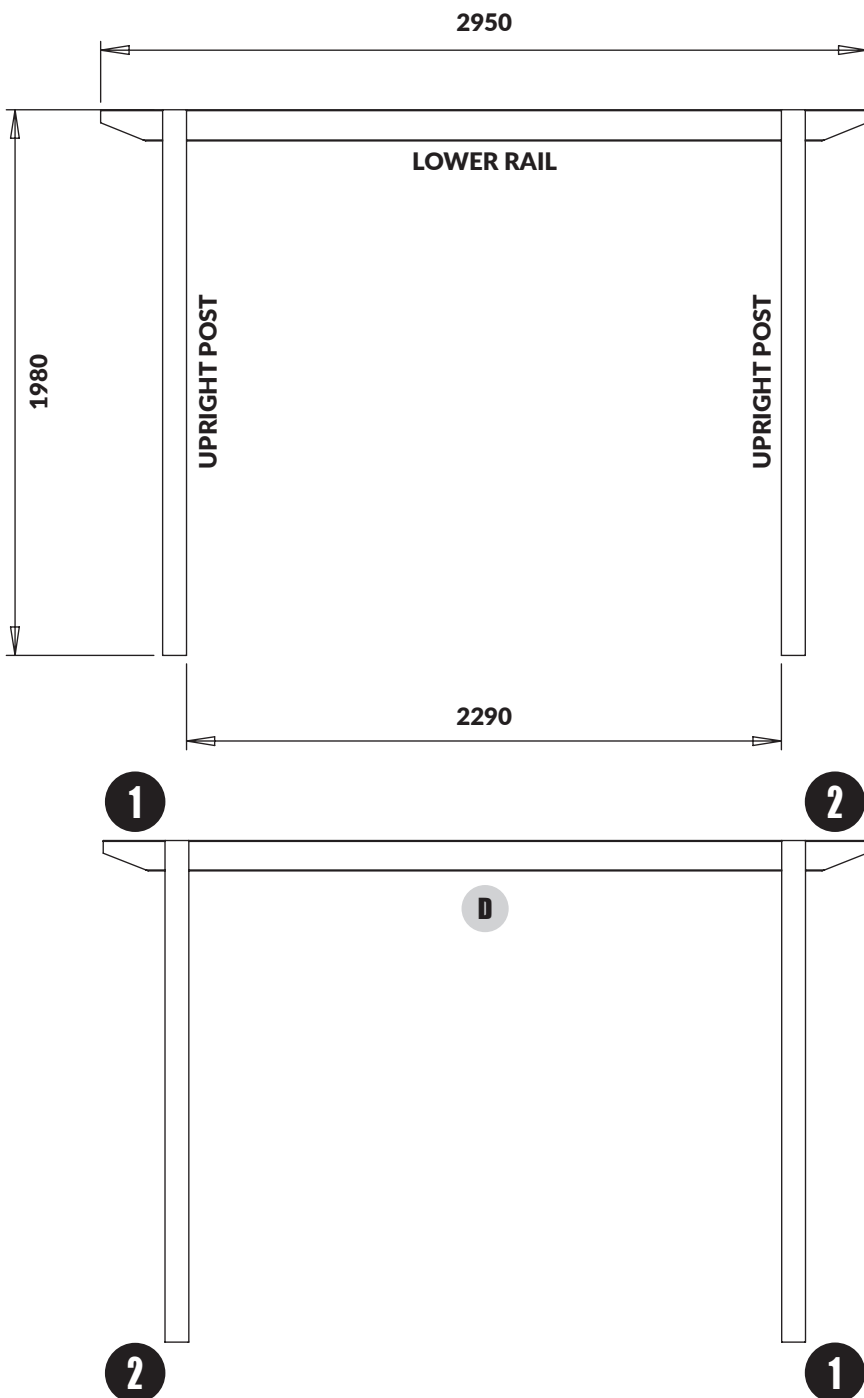
**NOTE - Make sure that customer supplied fixings
are in place before building commences - For post layout. (Detail A)**



Step 1:

UPRIGHT FRAME ASSEMBLY

- Layout upright posts and lower rails (un-notched) as shown. **(Detail B)**
- Secure together using 1x S70 per join. **(Detail C)**
NOTE: DO NOT TIGHTEN FULLY.
- Check frame is square by measuring between points. If measurements are the same, your frame is square. **(Detail D). Manually adjust if required.**
- Secure together with 1x S70 per join and tighten existing screw. **(Detail E)**
- Repeat for other side.

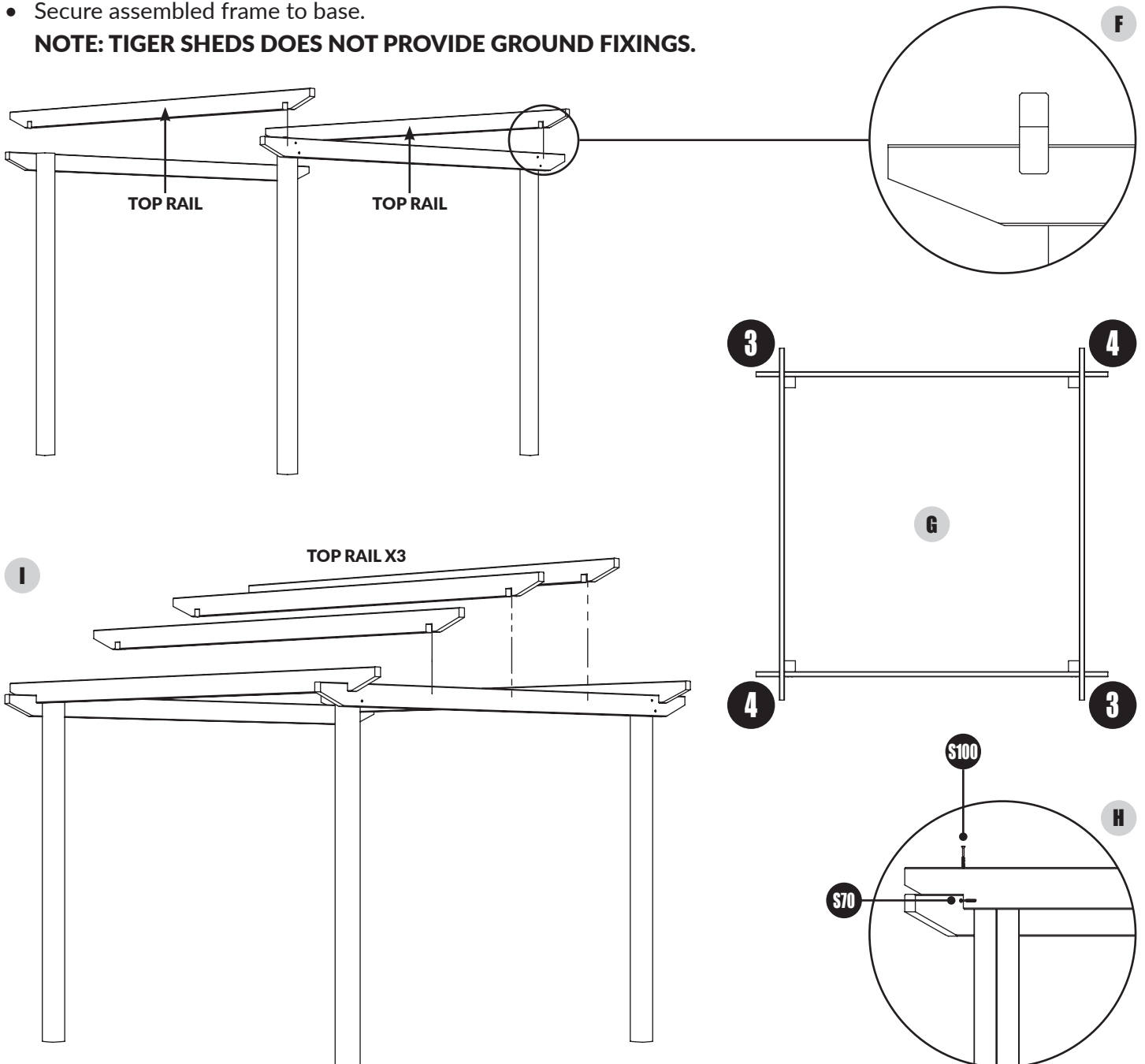


TIGER STANDARD PERGOLA GENERAL INSTRUCTIONS

Step 2:

FRAME ASSEMBLY

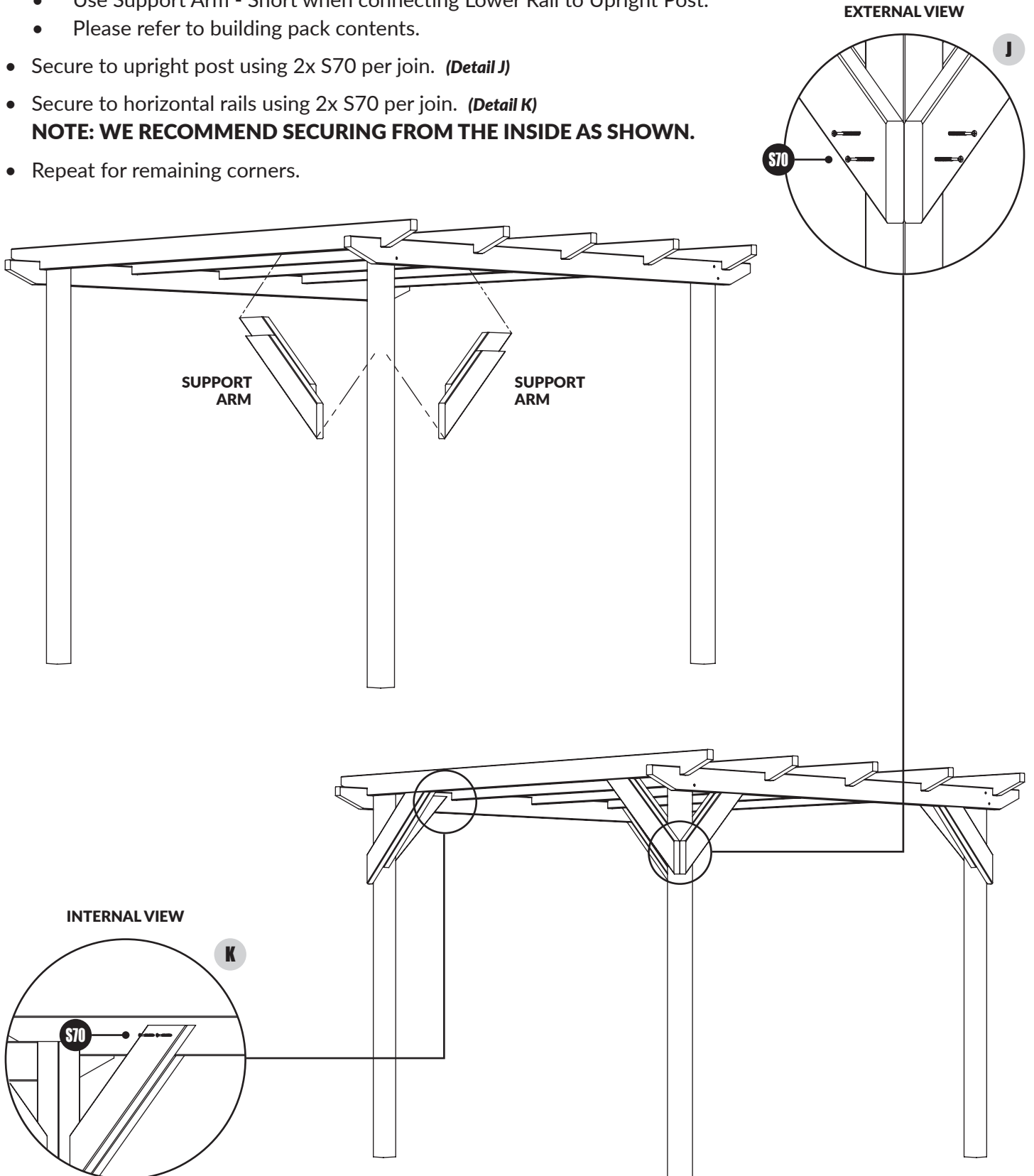
- Slot in outer top rails (notched) as shown. **(Detail F)**
- Check frame is square by measuring between points. If measurements are the same, your frame is square **(Detail G)**. **Manually adjust if required.**
- Secure top rail to lower rail using 1x S100 from top and 1x S70 from front into upright post. **(Detail H)**
- Repeat for remaining corners.
- Slot in remaining top rails as shown. **(Detail I)**
NOTE: WE RECOMMEND EQUAL SPACING.
- Secure to side rail using 1x S100 from top per top rail from each end.
- Secure assembled frame to base.
NOTE: TIGER SHEDS DOES NOT PROVIDE GROUND FIXINGS.



Step 3:

SUPPORT ARM ASSEMBLY

- Slot together pergola support arms into the corner of framework.
 - Use Support Arm - Long when connecting Top Rail to Upright Post.
 - Use Support Arm - Short when connecting Lower Rail to Upright Post.
 - Please refer to building pack contents.
 - Secure to upright post using 2x S70 per join. **(Detail J)**
 - Secure to horizontal rails using 2x S70 per join. **(Detail K)**
- NOTE: WE RECOMMEND SECURING FROM THE INSIDE AS SHOWN.**
- Repeat for remaining corners.

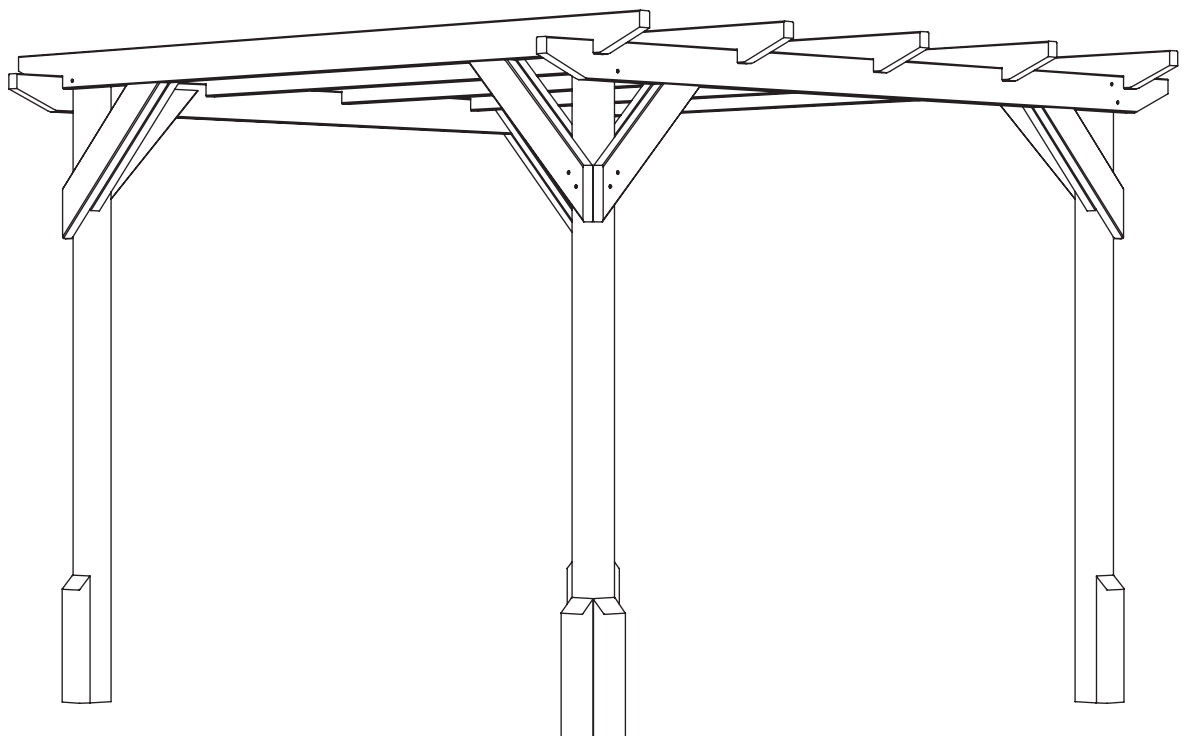
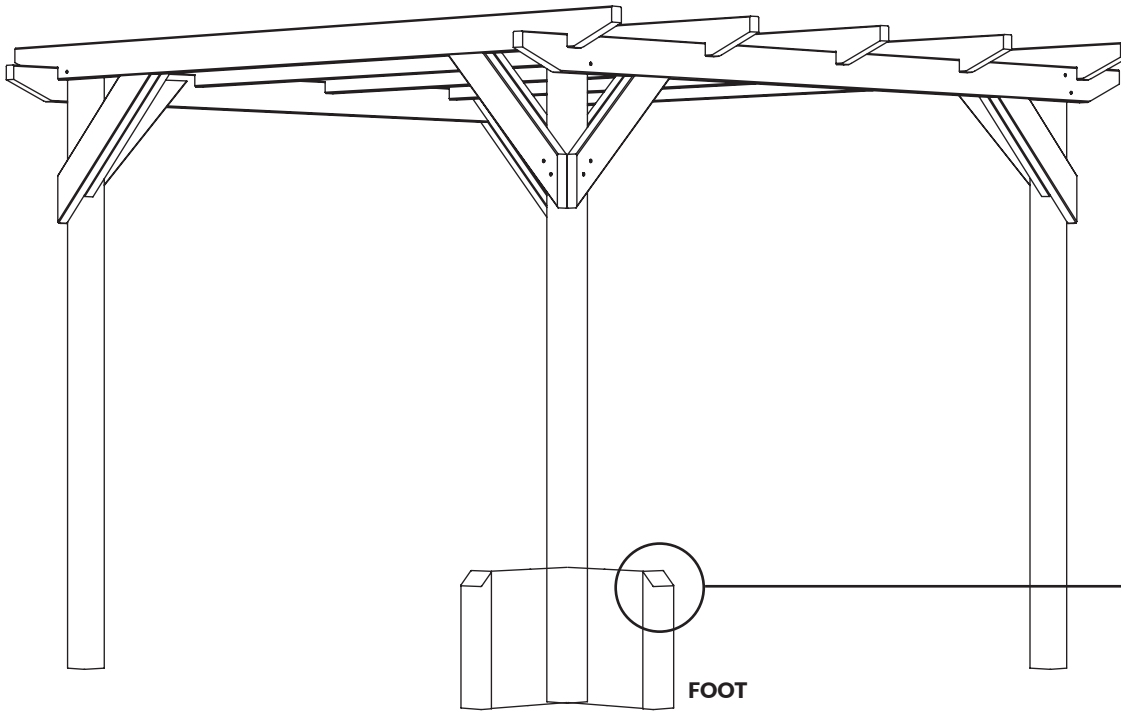
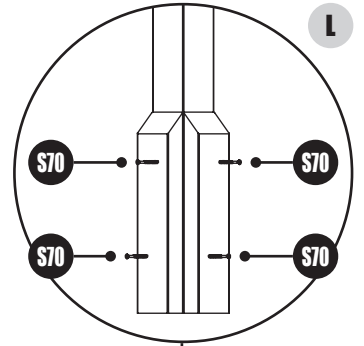


TIGER STANDARD PERGOLA GENERAL INSTRUCTIONS

Step 4:

FEET ASSEMBLY

- Secure feet to upright post using 2x S70 per foot.
2 feet supplied per post. *(Detail L)*
- Repeat for remaining corners.





Head Office

Calverley Lane,
Rodley,
Leeds,
West Yorkshire,
LS13 1NP

Telephone: 0113 205 4189
Website: tigersheds.com
Email: customersupport@tigersheds.com



SCAN CODE!
TO SEE GENERAL ACCESSORY &
INSTALLATION VIDEO LIBRARY

