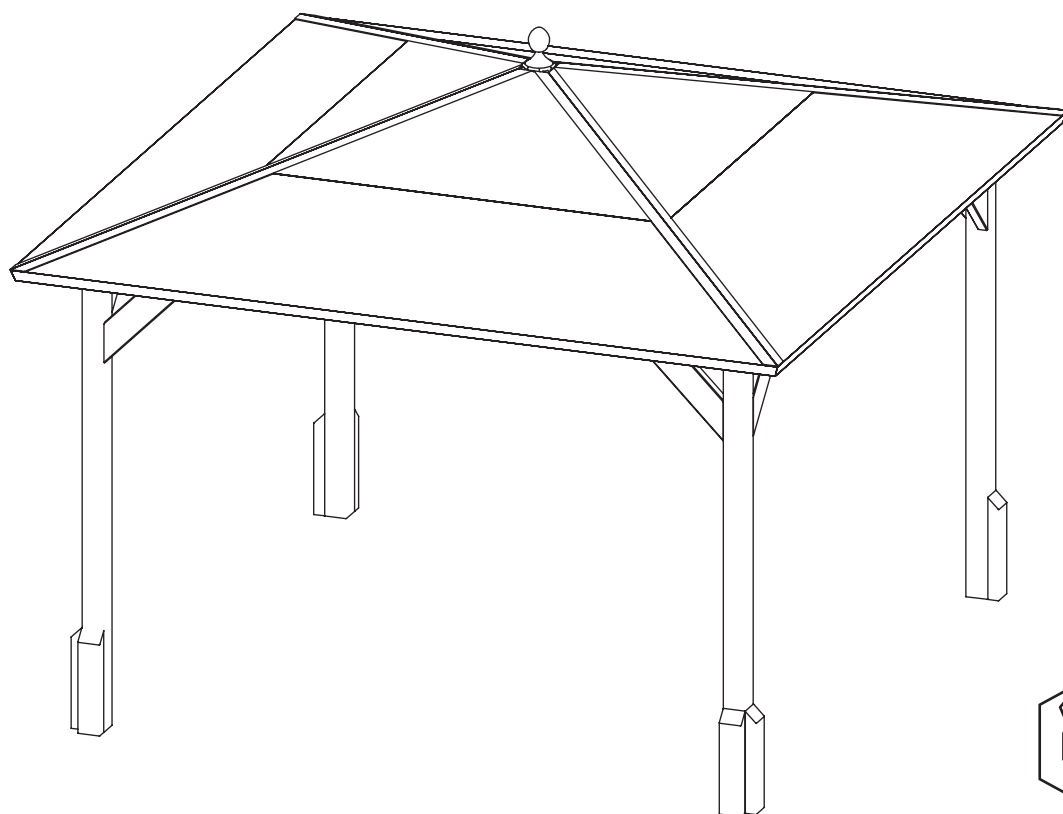


TIGER GARDEN PAVILION

GENERAL ASSEMBLY INSTRUCTIONS



BEFORE YOU GET STARTED

PLEASE READ INSTRUCTIONS CAREFULLY

- Check the pack and make sure you have all the parts listed.
- When you are ready to start, make sure you have the right tools at hand (not supplied).
- Ensure there is plenty of space and a clean dry area for assembly.

TIMBER

As with all natural materials, timber can be affected during various weather conditions. For the duration of heavy or extended periods of rain, swelling of the wood logs may occur. Warping of the wood may also occur during excessive dry spells due to an interior moisture loss. Unfortunately, these processes cannot be avoided but can be mitigated. It is suggested that the outdoor building is sprayed with water during extended periods of warm sunshine and sheltered as much as possible during rain or snow.



SUMMER
CONTRACTION



WINTER
EXPANSION



WOOD WARPING
MAY OCCUR

Please do not paint or treat your pavilion timbers before assembly as they must stay dry for a snug tongue and groove fit. To validate your guarantee and ensure longevity of the product, it is ESSENTIAL that your building is treated with an appropriate high-quality oil or solvent based preservative AFTER assembly, both internally and externally, then annually thereafter.

BUILDING A BASE

Care must be taken to ensure the product is placed on a suitable base. When thinking about where the building and base is going to be constructed. Ensure that there will be access to all sides for maintenance work and annual treatment.

Ensure the base is firm and level and is built on firm ground, to prevent distortion.

The constructed base must be at least the size of framing as referenced in supplied construct diagram.

RECOMMENDED TYPES OF BASE

- Concrete 75mm laid on top of 75mm hard-core.
- Slabs laid on 50mm of sharp sand.
- Timber base - Self constructed/Buy pre-made.



CONCRETE BASE



SLAB BASE



TIMBER BASE



PLASTIC BASE



BROKEN SLABS



BARE SOIL



LOOSE GRAVEL



The mark of
responsible forestry
FSC® C125286



MADE IN THE UK SINCE 1913.

We have been making our high quality, great value garden buildings here in Britain for decades.

CAUTION:

All buildings should be erected by three competent adults.



CAUTION:

It is advisable to wear safety gloves during building installation.



Whilst all products manufactured are made to the highest standards of safety, we cannot accept responsibility for your safety whilst erecting or using this product.

BEFORE YOU GET STARTED

TOOLS REQUIRED

We recommend using the following tools (not supplied):



HAMMER



RUBBER Mallet



DRILL



LADDER



TAPE MEASURE



SHARP KNIFE



SPIRIT LEVEL



SCREWDRIVER +



WOOD SAW

FIXING KIT CONTENTS:



Clout Nails (20mm Galvanised - QTY 240)



Screws (70mm - QTY 48)



Screws (40mm - QTY 60)

ALSO SUPPLIED IN PACK:

- 12x6 Roll Felt (1m wide - QTY 2)
- 10m Roll Felt (0.5m wide - QTY 1)
- Acorn Top (QTY 1)

ASSEMBLY

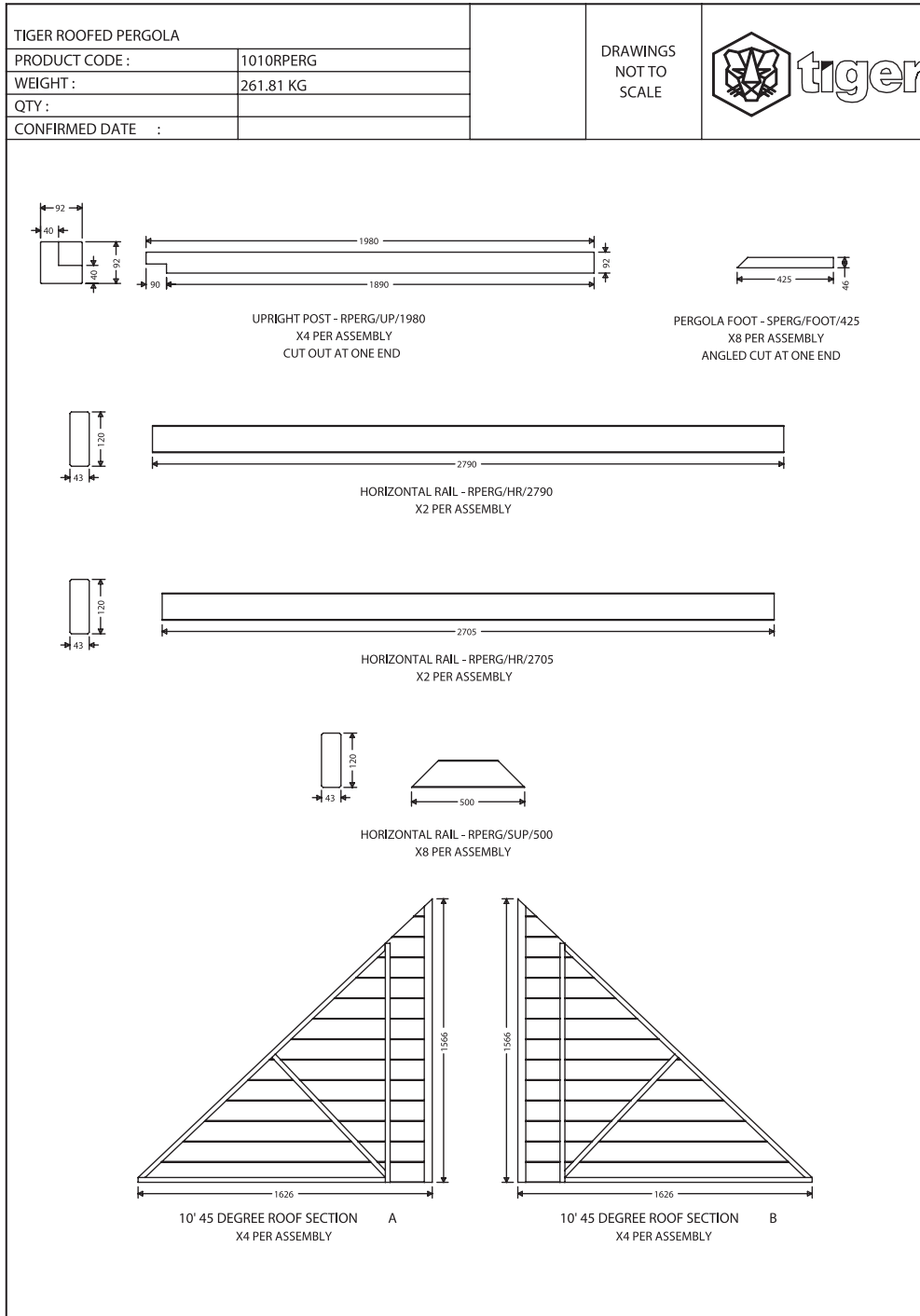
- Assembly is straight forward if you follow these step-by-step instructions.
- We recommend getting everything aligned properly before screwing together and that screw holes should be pre-drilled to avoid splitting the timber. (Do not come pre-drilled).

IMPORTANT

- Before assembly, please make sure you have a suitable base ready to erect your building on.
- Your base MUST be firm and level to ensure that the building is assembled properly and is square.
- Please carefully remove the packaging and unpack the components in your delivery
- DO NOT start your build until you have checked that all the parts of your building are present and in a suitable condition.
- If you are organising a third party to install your building, it is best practice not to schedule this immediately on receipt of your order, to give you time to check your delivery.

BUILDING PACK CONTENTS:

For full details of what should be included please see the Module Pack List that is supplied with the delivery. They are also available on request in pdf form from our helpful Customer Support team – please call **0113 205 4189** or use the Items Delivered Query form at tigersheds.com/contact.



Unpacking The Garden Pavilion.

- Remove packaging and the pavilion components.
NOTE: PARTS MAY HAVE BECOME LOOSE OR MOVED DURING TRANSPORTATION.
- Lay components on a dry, horizontal surface.

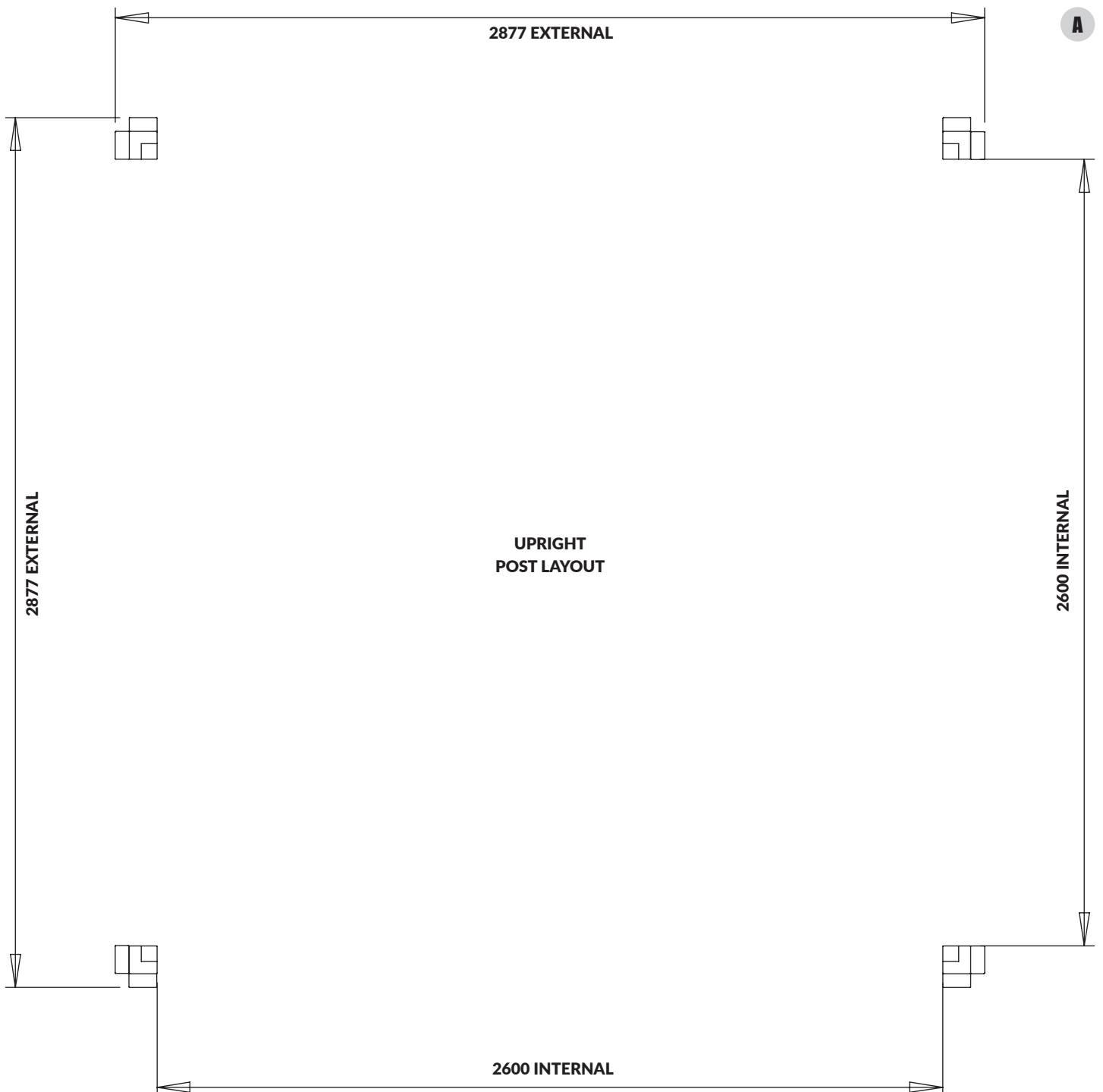
TIGER GARDEN PAVILION GENERAL INSTRUCTIONS

IMPORTANT:

Customer to supply own fixings
for type of ground.
Posts 92mm square.



**NOTE - Make sure that customer supplied fixings
are in place before building commences - For post layout. (Detail A)**

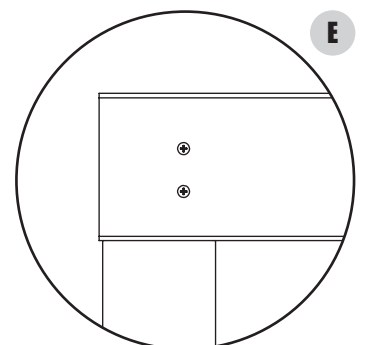
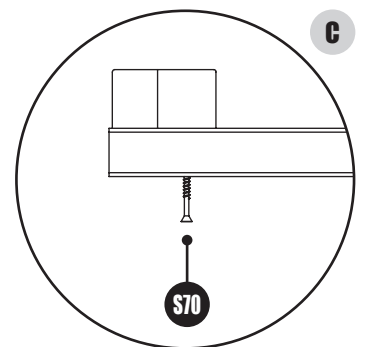
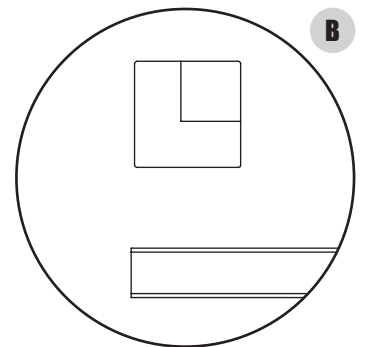
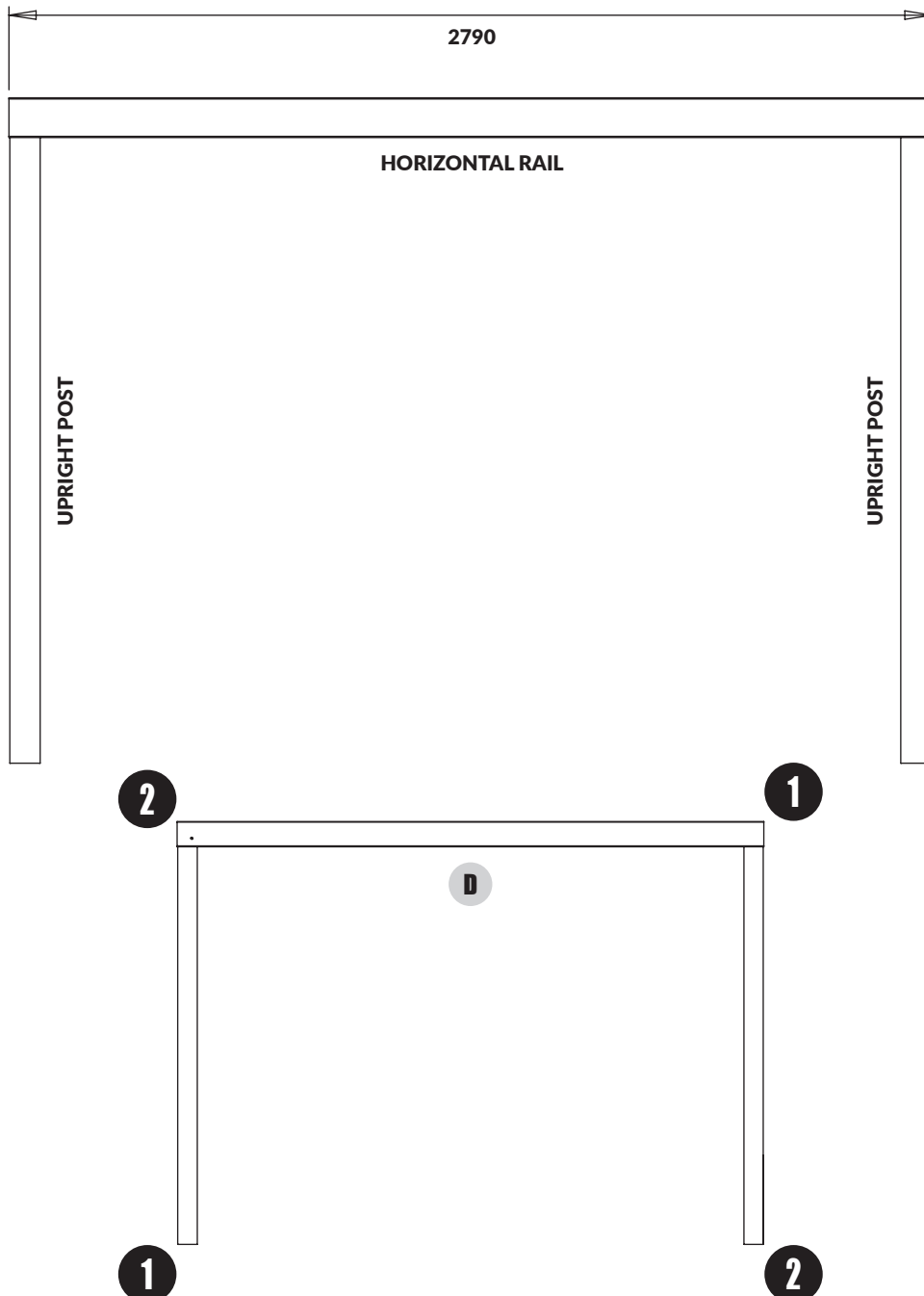


Step 1:

ASSEMBLE UPRIGHT FRAMES

(CHECK WHAT SIZE YOU HAVE AND THE MODULES SUPPLIED)

- Layout upright posts and longer horizontal rails (2790 mm) as shown. **(Detail B)**
- Secure together using 1x S70 per join. **(Detail C)**
NOTE: DO NOT TIGHTEN FULLY.
- Check frame is square by measuring between points. If measurements are the same, your frame is square.
Manually adjust if required. (Detail D).
- Secure together with 1x S70 per join and tighten existing screw. **(Detail E)**
- Repeat for other side.

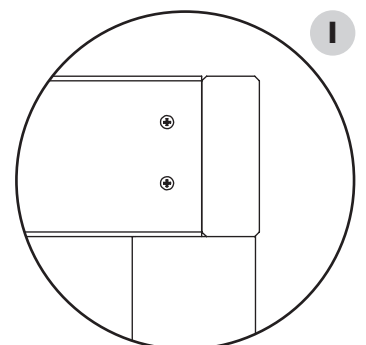
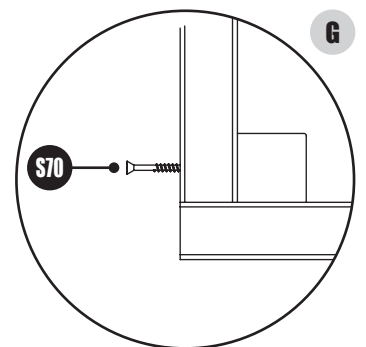
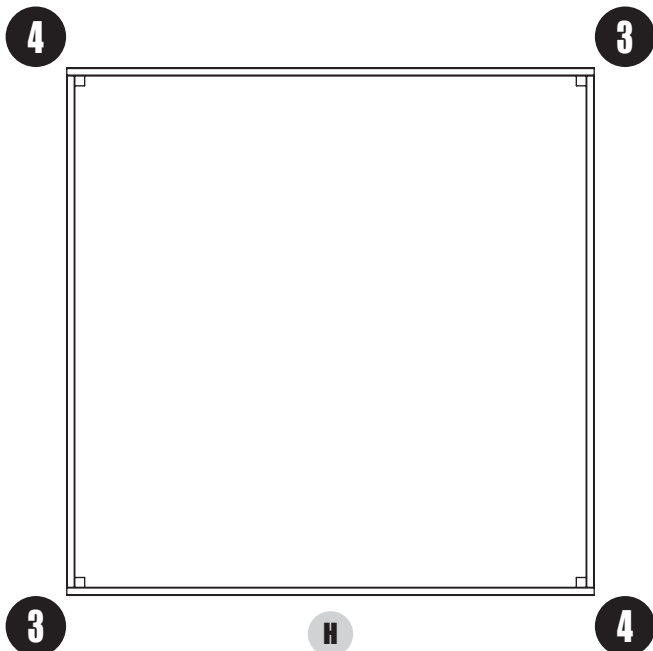
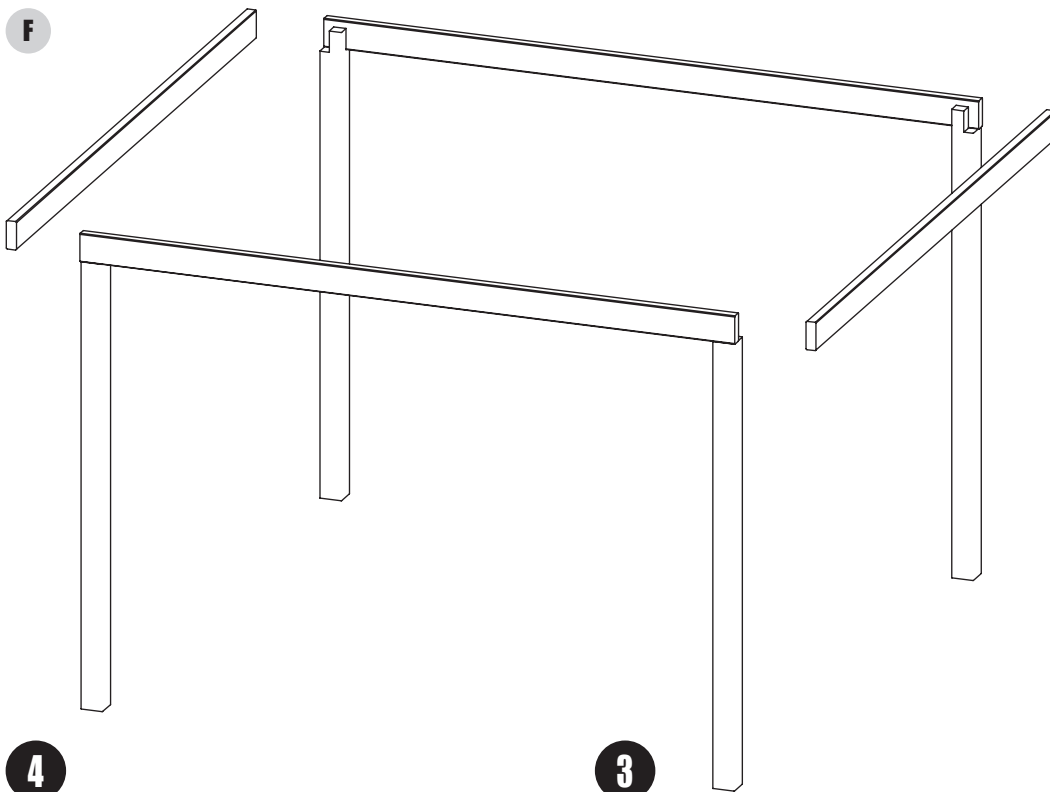


TIGER GARDEN PAVILION GENERAL INSTRUCTIONS

Step 2:

ASSEMBLE FRAME

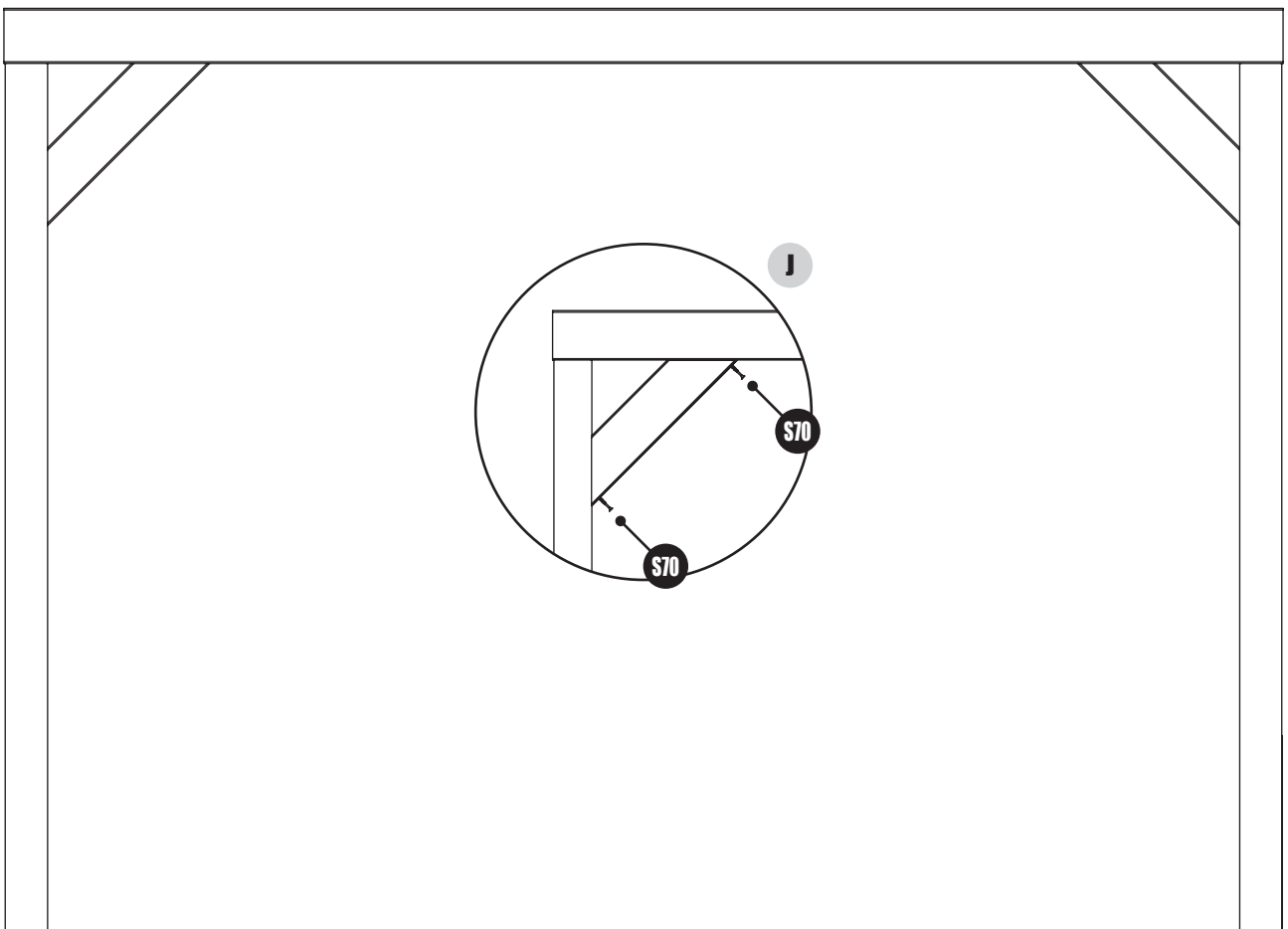
- Slot in shorter horizontal rails (2705mm) as shown. **(Detail F)**
- Secure to upright post using 1x S70 per join. **(Detail G)**
NOTE: DO NOT TIGHTEN FULLY.
- Check frame is square by measuring between points. If measurements are the same, your frame is square.
Manually adjust if required. (Detail H)
- Secure together with 1x S70 per join and tighten existing screw. **(Detail I)**
- Repeat for remaining corners.



Step 3:

INSTALL SUPPORT ARMS

- Install support arms as shown.
- Secure to upright post using 1x S70 per arm. **(Detail J)**
- Secure to horizontal rail using 1x S70 per arm. **(Detail J)**
- Check frame is square by measuring between points. **(See Step 1 - Detail D)**
If measurements are the same, your frame is square. **Manually adjust if required.**
- Repeat for remaining support arms.



Step 4:

FIXING TO BASE

- Secure the garden pavilion to your desired base before fitting the roof.
NOTE: TIGER SHEDS DOES NOT PROVIDE GROUND FIXINGS.
- Again, check frame is square.

IMPORTANT:

Customer to supply own fixings for type of ground.
Posts 92mm square.

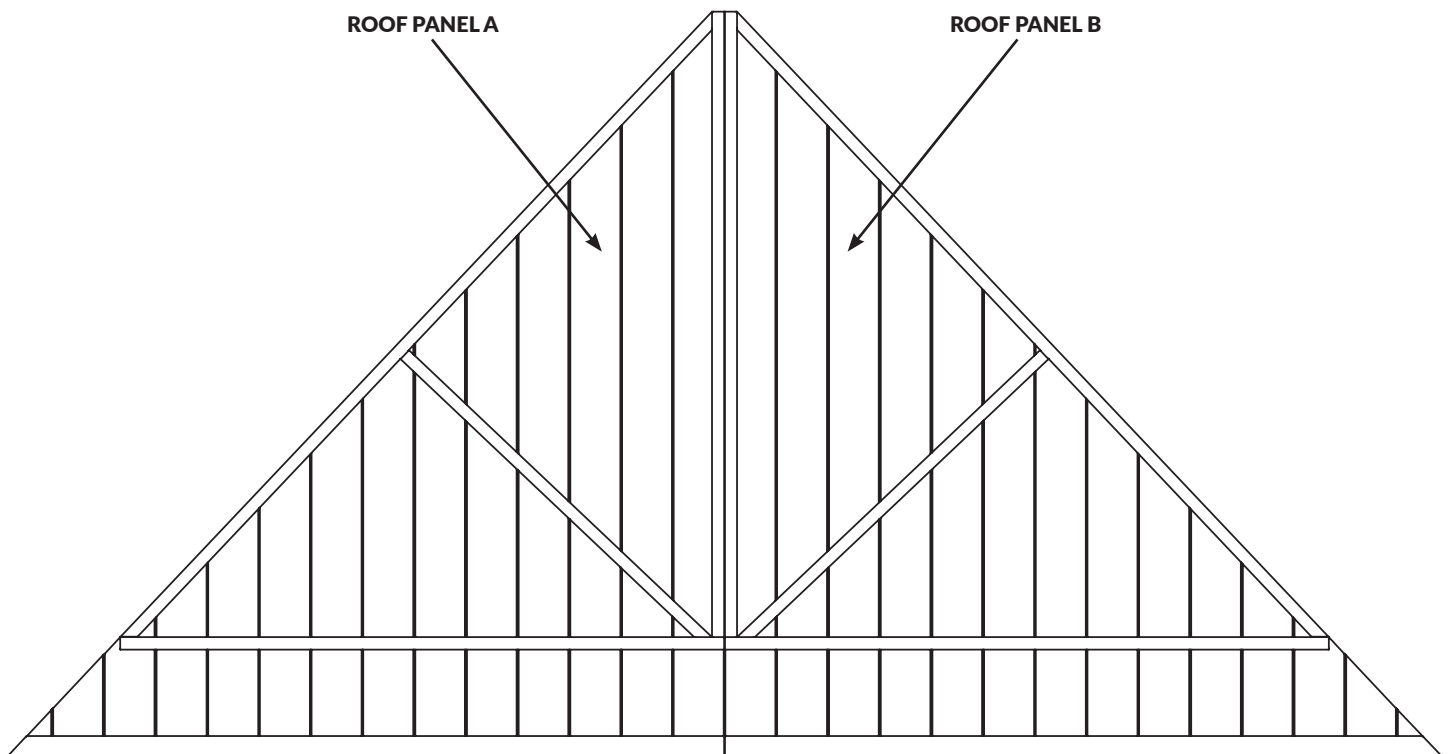
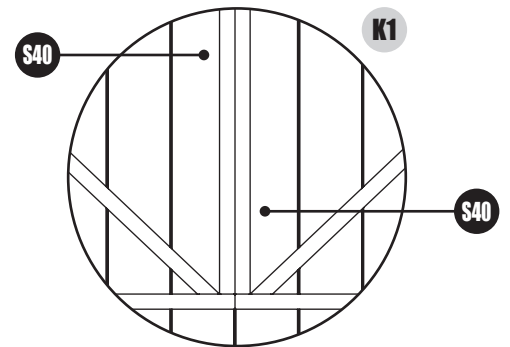


TIGER GARDEN PAVILION GENERAL INSTRUCTIONS

Step 5:

ASSEMBLING ROOF PANELS

- Fix 1x A & 1x B roof panels together using 2x S40 equally spaced per section.
- For extra strength, we recommend securing through both sides of the framing of each panel. **(Detail K1)**



Step 6:

PREPARING THE ROOF FELT

- We recommend measuring and cutting roof felt against assembled roof panels on a level surface.
- Roll felt out onto a clean flat surface 30 minutes before you need it so it has a chance to flatten out.
- Take 1x 12x6 roll of felt. Measure length of roof and cut 2 lower strips of felt to size (Piece 1). Use a straight edge to guide cutting. The offcut (Piece 2) will be used in Step 9.

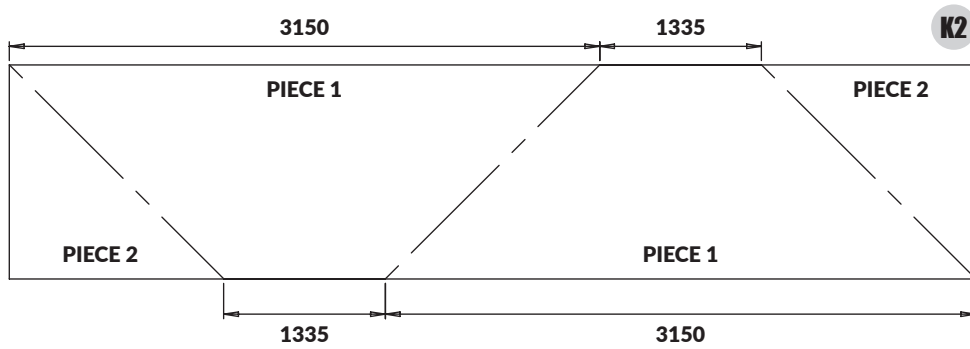
NOTE: USE THE SAME ANGLE CUT FOR BOTH PIECES. (Detail K2)

NOTE: THE EDGE OF THE FELT (PIECE 2) WILL NOT BE FLUSH WITH THE RIDGE.

THIS WILL BE COVERED BY CUT FELT IN STEP 9.4. (Detail K2)

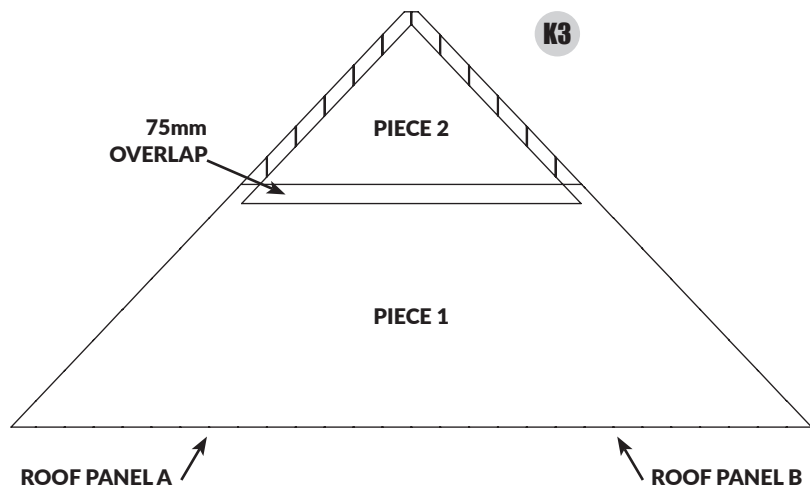
- Repeat for second 12x6 roll of felt.
- Cut 10m roll into 4 equal lengths. (2.5m)

NOTE: DO NOT FELT THE ROOF PANELS AT THIS STAGE.



FOR REFERENCE ONLY - NOT TO SCALE

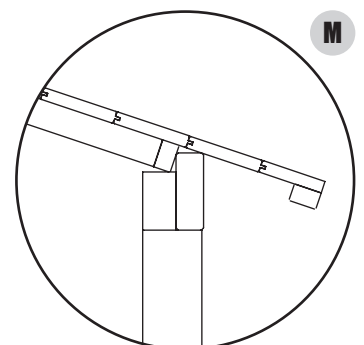
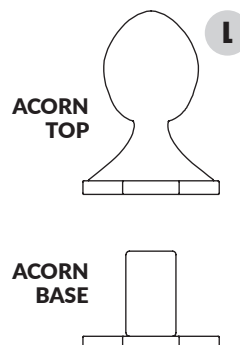
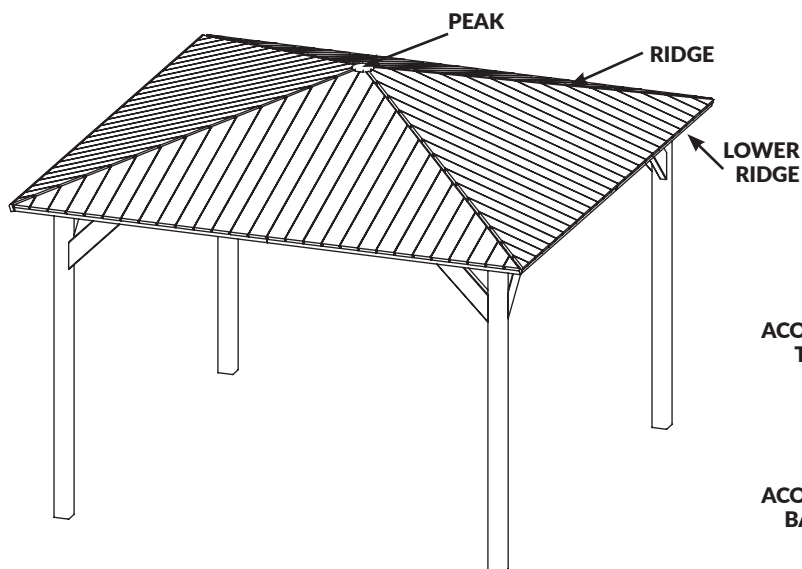
FOR REFERENCE ONLY - NOT TO SCALE



Step 7:

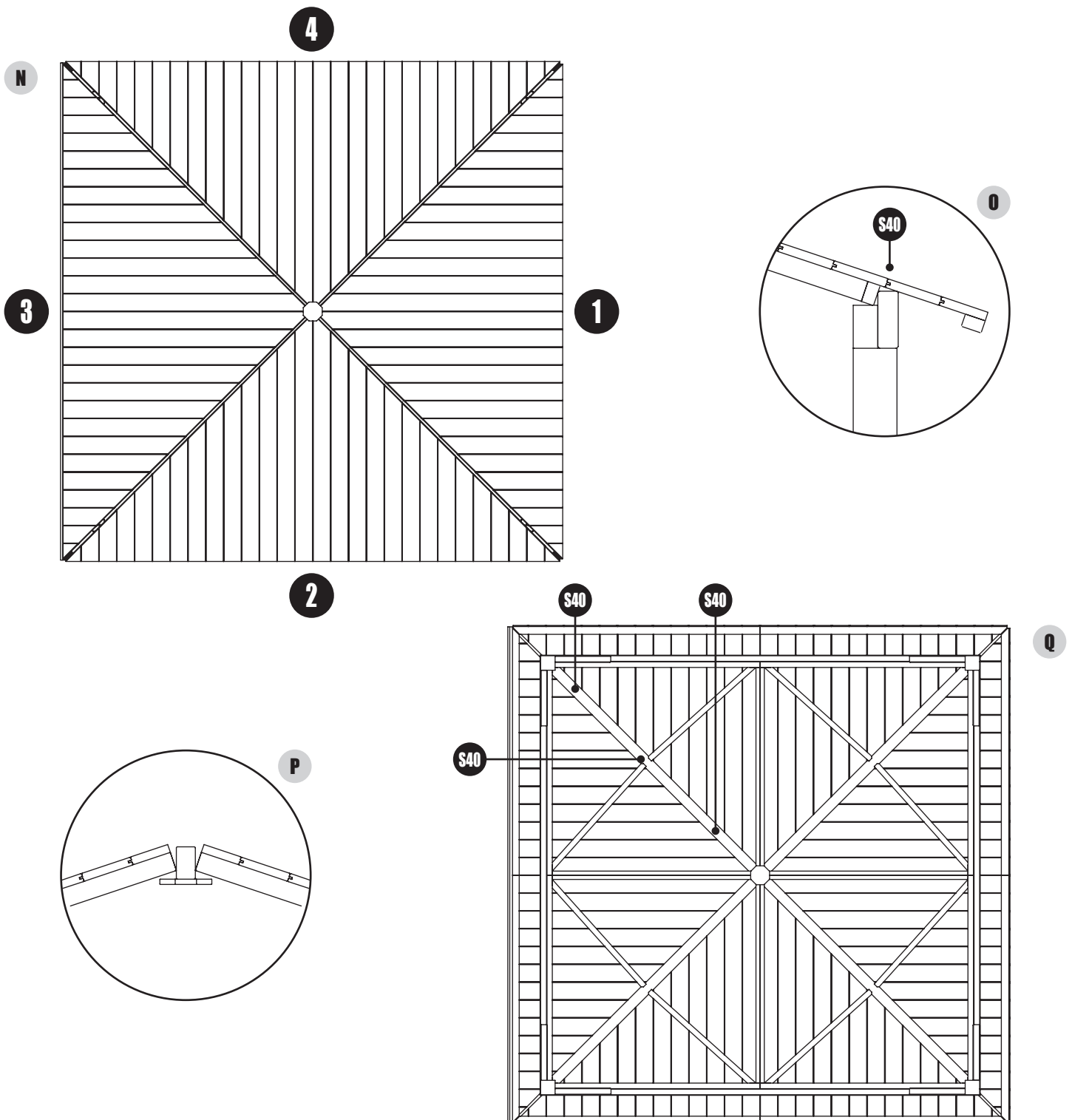
INSTALLING ROOF PANELS

- Unscrew top piece of acorn. *(Detail L)*
- Hook the joined roof panels onto the horizontal rails. *(Detail M)*
Guide top of joined roof panels into acorn base and lower until panels are “locked in” place.



TIGER GARDEN PAVILION GENERAL INSTRUCTIONS

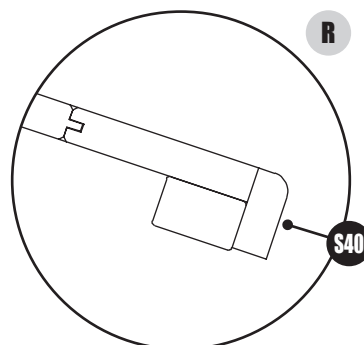
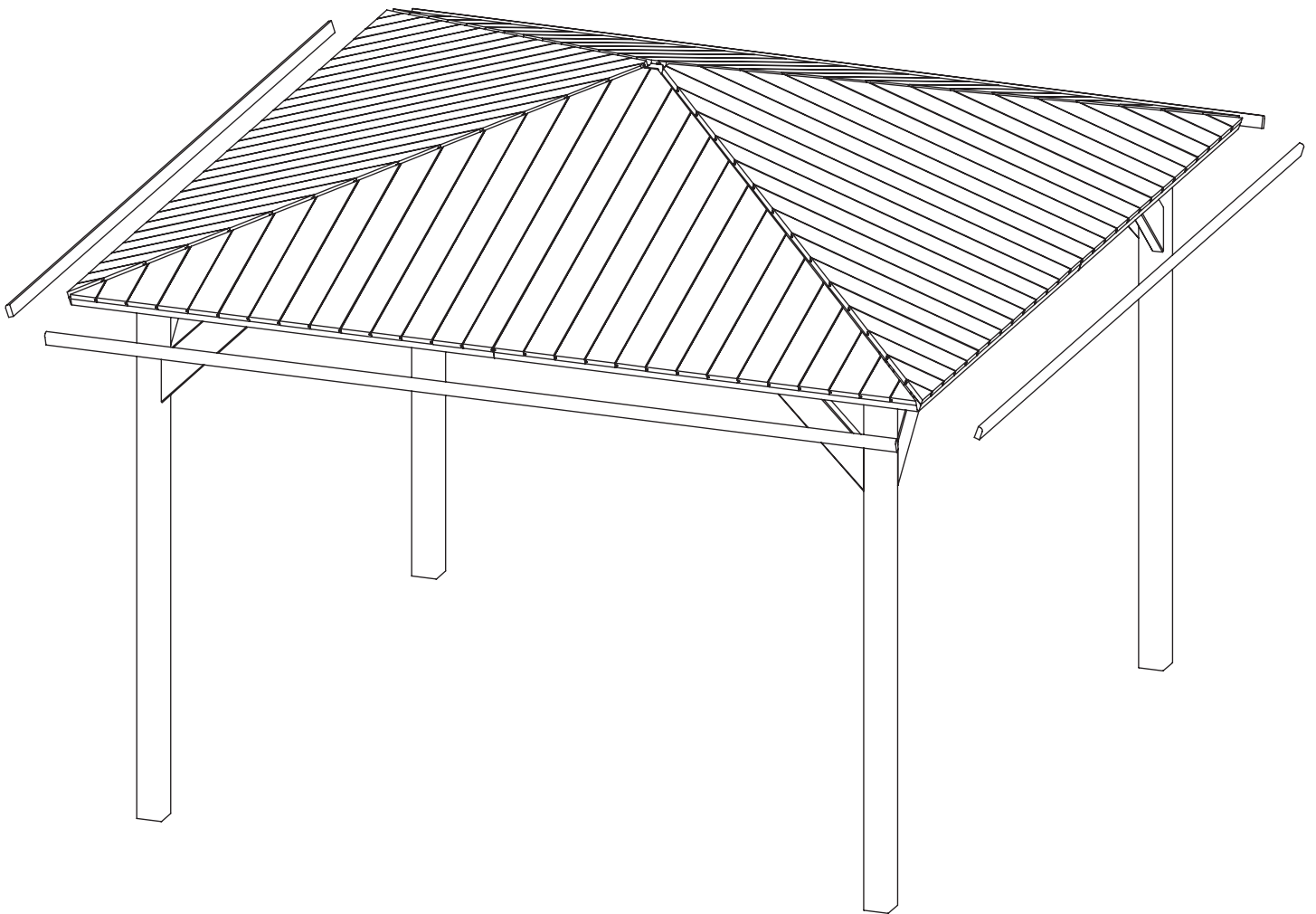
- For remaining roof panels, push acorn base upward, slightly loosening the roof and catch the new panel edge then lower to “lock in”. For order of panel installation. **(Detail N)**
- Secure through acorn base using 2x S40 per joined roof panel. **(Detail O)**
NOTES: CHECK GARDEN PAVILION IS SQUARE BY MEASURING POINTS SHOWN IN STEP 2. IF MEASUREMENTS ARE THE SAME, THE FRAME IS SQUARE. Manually adjust if required.
- Secure roof panels to horizontal rails using 4x S40 equally spaced per joined roof panel. **(Detail P)**
- Secure roof panels to each other internally using 3x S40 equally spaced per ridge. **(Detail Q)**



Step 8:

ATTACHING ROOF SKIRTING

- Secure skirting to bottom of roof panels using 4x S40 equally spaced per skirting. (*Detail R*)
- Repeat for remaining roof panels. 4 roof sections in total.



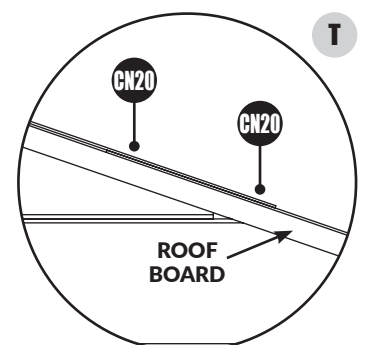
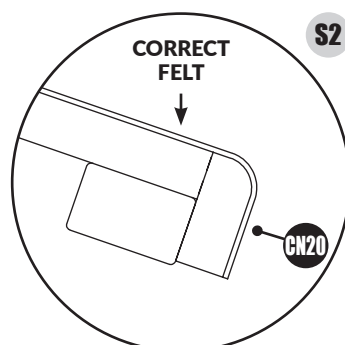
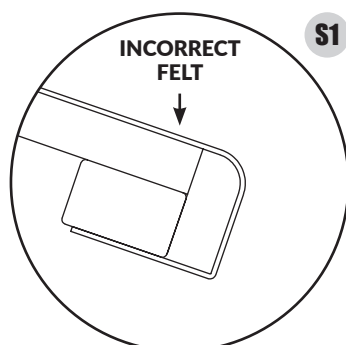
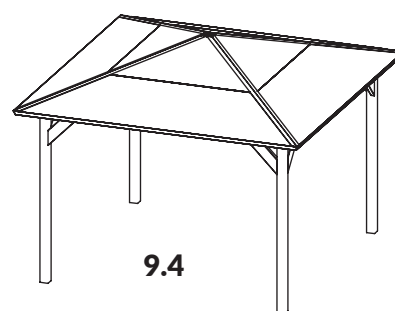
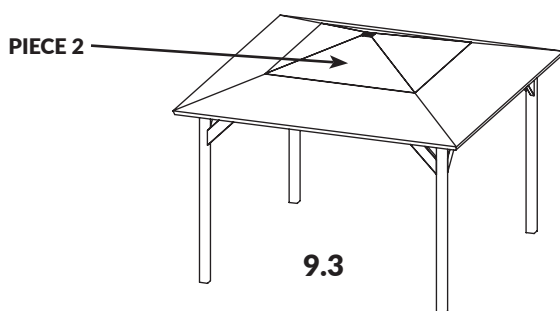
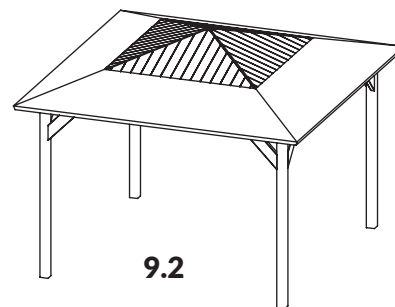
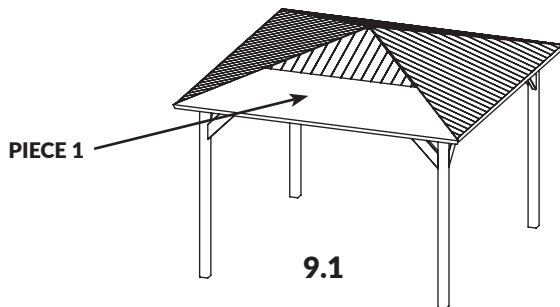
TIGER GARDEN PAVILION GENERAL INSTRUCTIONS

Step 9:

FELTING THE ROOF

(MEASURE AND CUT BEFORE INSTALLING THE FELT)

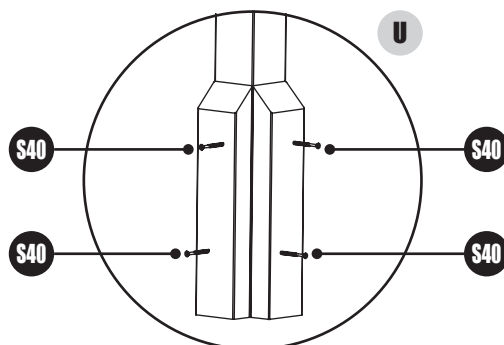
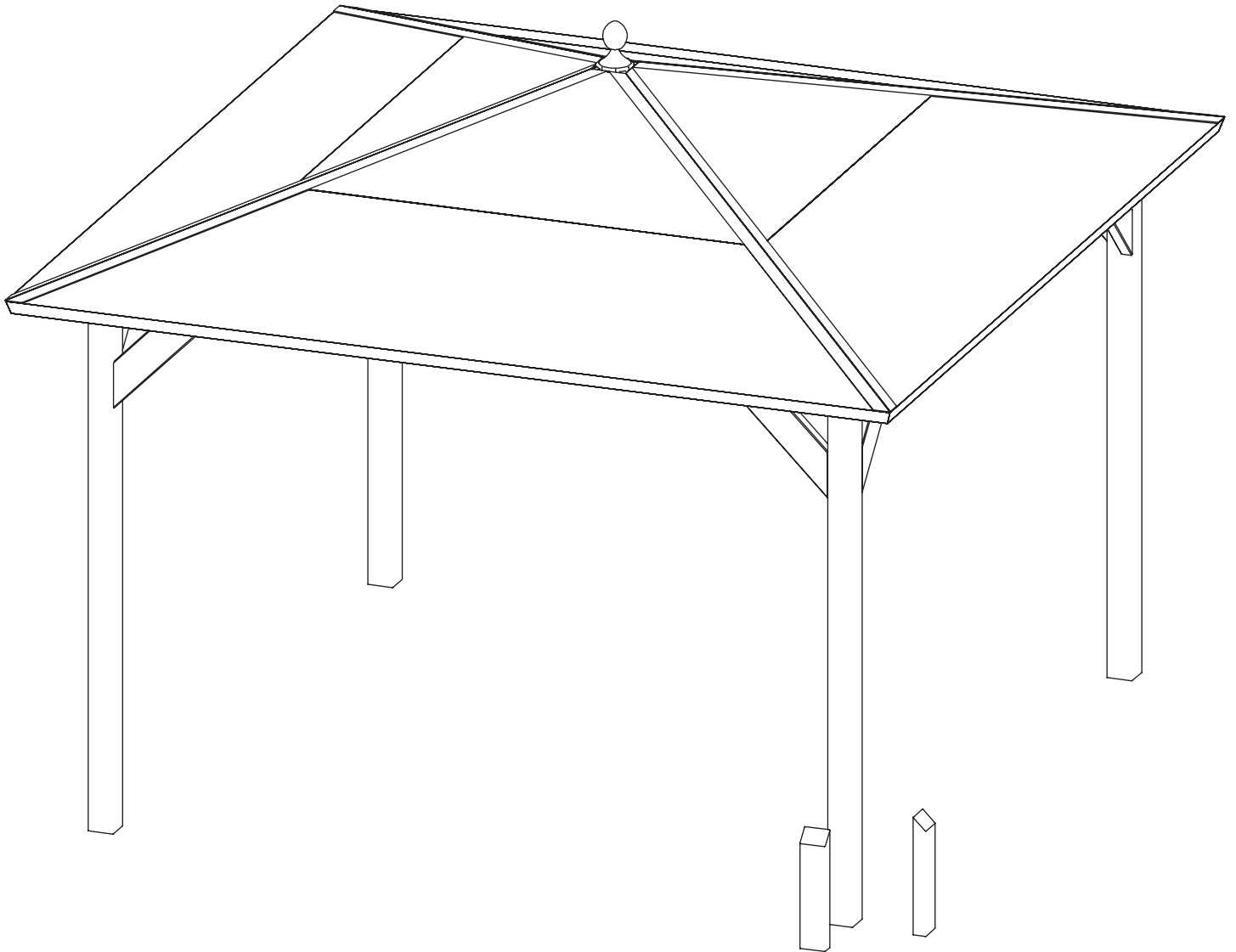
- **9.1:** Roll large angle cut felt piece along low side of roof (Piece 1) leaving sufficient overhang to fold down onto lower edge. Do not fold underneath roof. **(Detail S1 & S2)**
Secure to roof skirting using CN20 at approx 100mm intervals. **(Detail S2)**
Ensure the felt is tight, then secure the top edge of felt using CN20 at approx. 100mm intervals along the full length. Secure along ridges using 5x CN20.
- **9.2:** Repeat process for all lower sections of felt.
- **9.3:** Place smaller angle cut felt (Piece 2) as shown. Overlap the top piece of felt with the bottom piece by approx. 75mm. **(Detail T)**
NOTE: THE EDGE OF THE FELT WILL NOT BE FLUSH WITH THE RIDGE. THIS WILL BE COVERED BY CUT FELT IN STEP 9.4.
- **9.4:** Use 2.5m cut pieces of felt cover the ridges where the felt overlaps. Secure using CN20 along edges of felt at 100mm intervals.
- **9.5:** Reattach acorn top, trapping felt at peak in between the acorn top and roof board.



Step 10:

INSTALLING PAVILION FEET

- Secure the garden pavilion feet to outside of upright post using 2x S70 per foot, 2 feet per post. **(Detail U)**
- Repeat for all remaining corners.





Head Office

Calverley Lane,
Rodley,
Leeds,
West Yorkshire,
LS13 1NP

Telephone: 0113 205 4189
Website: tigersheds.com
Email: customersupport@tigersheds.com



SCAN CODE!
TO SEE GENERAL ACCESSORY &
INSTALLATION VIDEO LIBRARY

