

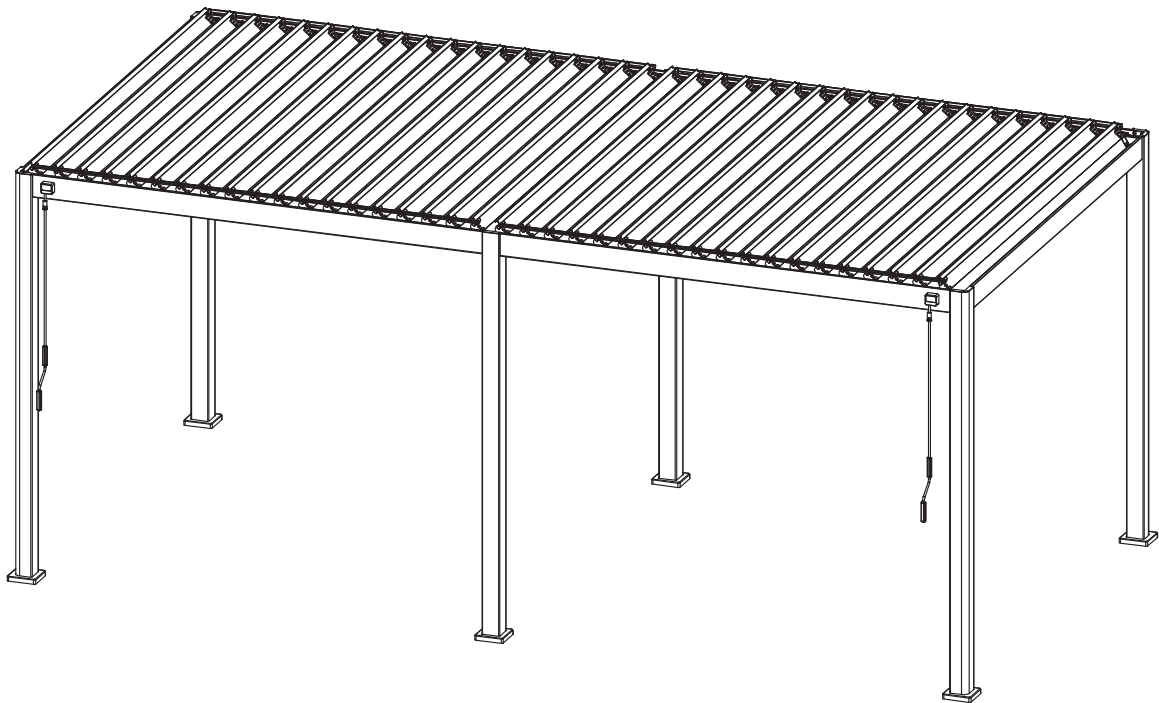


tiger[®]

MODULAR

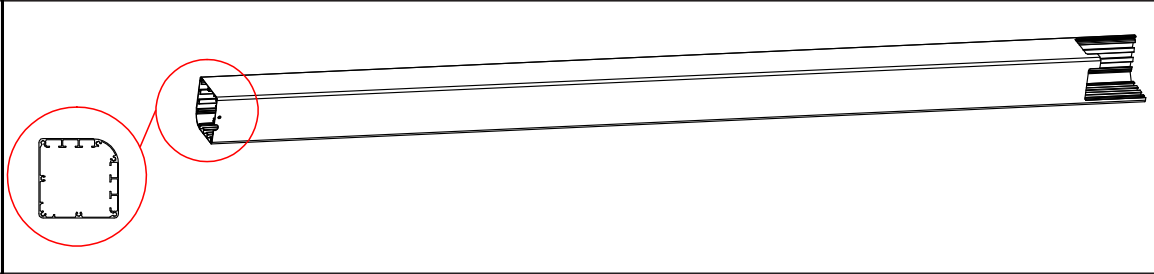
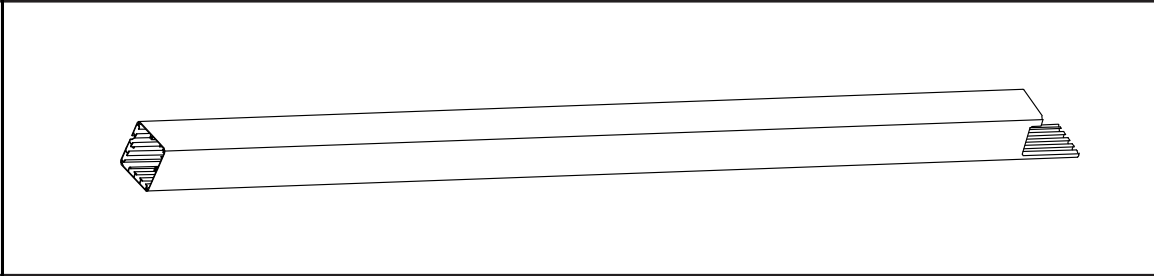
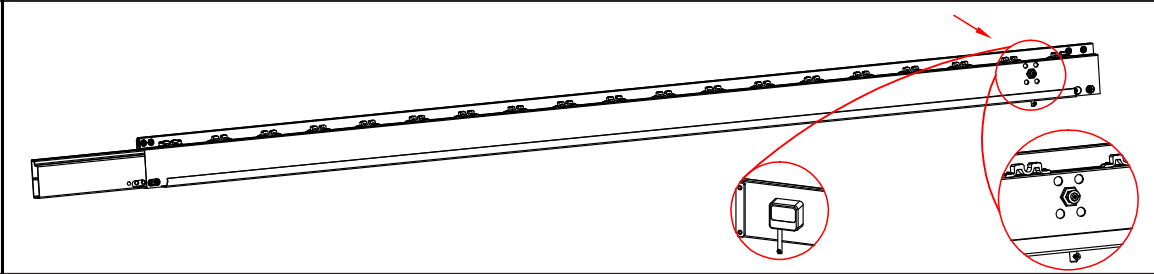
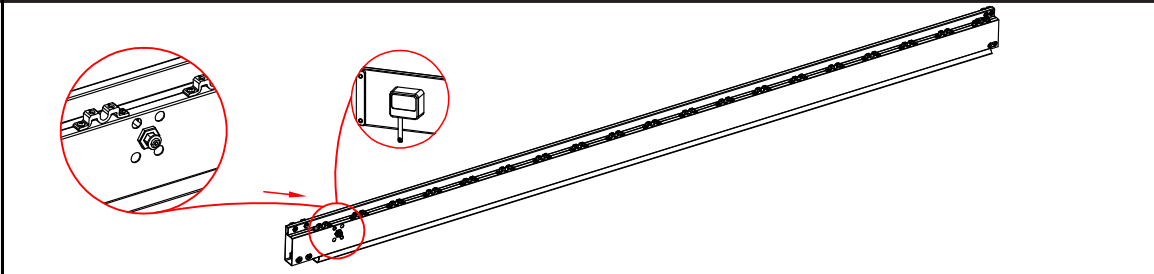
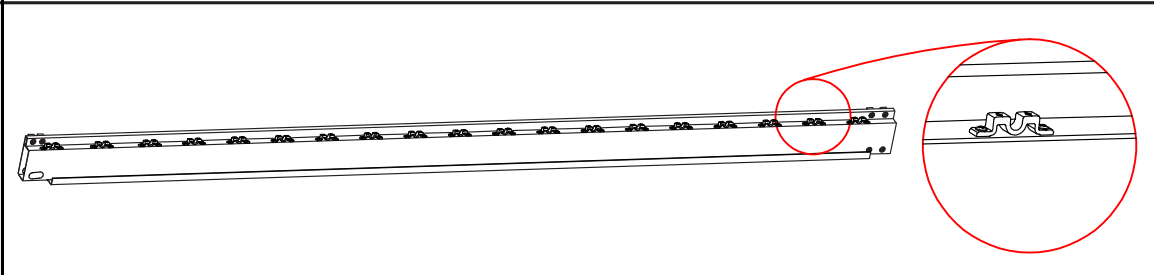
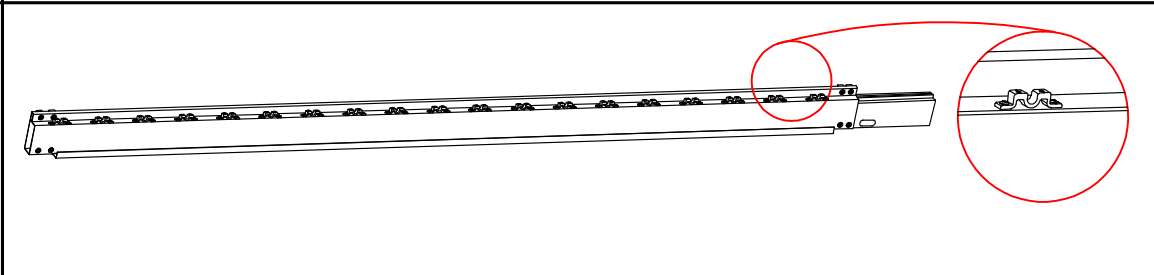
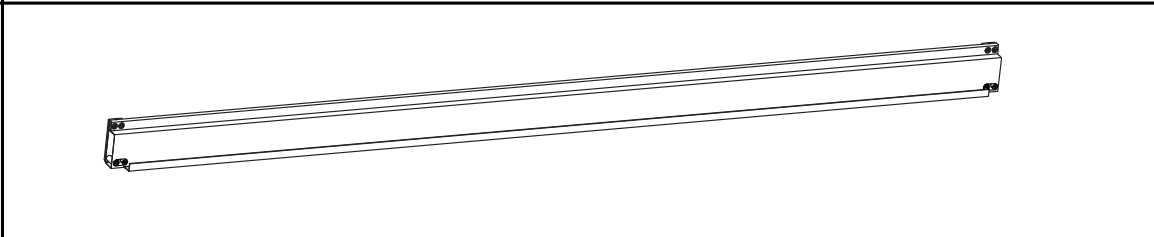
PERGOLA 6X3

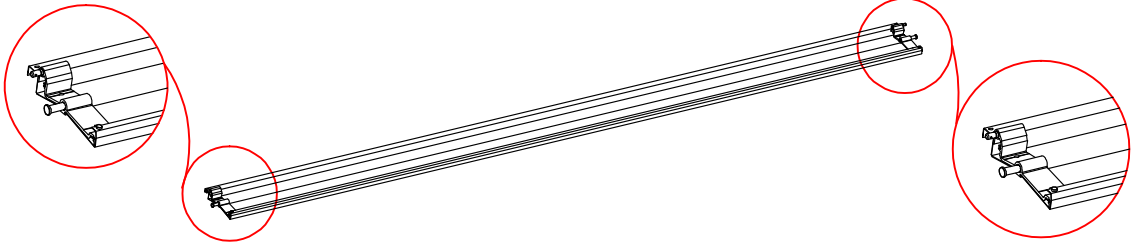
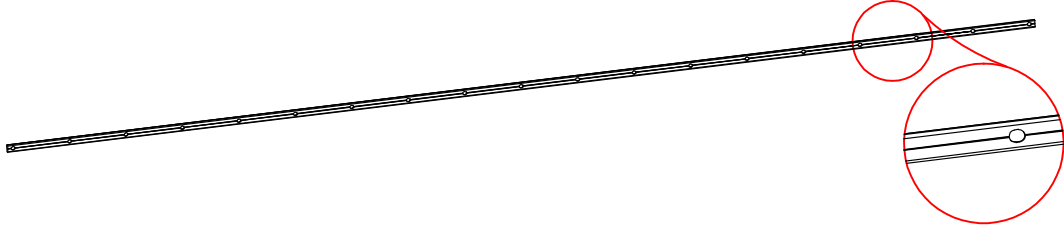

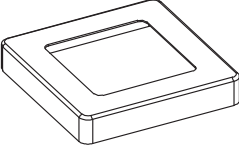
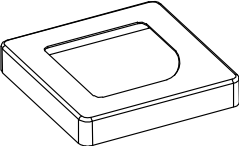
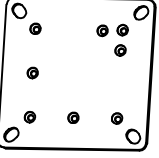
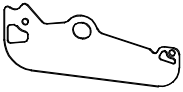
User Manual

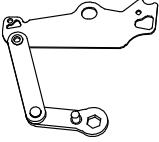
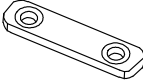
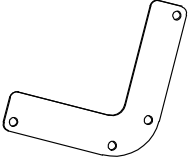

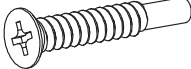
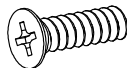
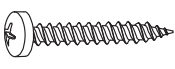



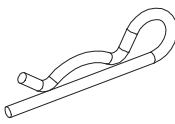
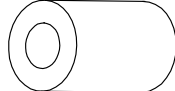

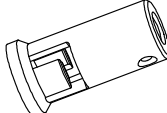
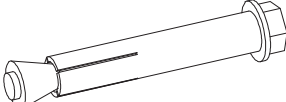


tigermodular.com

	REF	QTY		REF	QTY		REF	QTY
Carton 1/5	(A)	4PCS		(A1)	2PCS			
Carton 2/5	(B)	1PC		(B1)	1PC		(B2)	1PC
	(B3)	1PC		(C)	2PCS		(G)	4PCS
	(H)	2PCS		(I)	2PCS		(I1)	4PCS
	(J)	6PCS		(K)	77PCS		(L)	2PCS
	(M)	79PCS		(N)	4PCS		(N1)	2PCS
	(O)	40PCS		(P)	158PCS		(Q)	158PCS
	(R)	20PCS		(S)	82PCS		(T1)	4PCS
	(U1)	4PCS		(V)	2PCS		(W)	24PCS
	(X)	1PC		(Y)	2PCS			
		User Manual	1SET					
Carton 3/5	(D)	13PCS						
Carton 4/5	(D)	13PCS						
Carton 5/5	(D)	12PCS						

REF	PICTURE	QTY
A		4PCS
A1		2PCS
B		1PC
B1		1PC
B2		1PC
B3		1PC
C		2PCS

REF	PICTURE	QTY
D		38PCS
G		4PCS
H		2PCS
I		2PCS
I1		4PCS
J		6PCS
K		77PCS

REF	PICTURE	QTY
(L)		2PCS
(M)		79PCS
(N)		4PCS
(N1)		2PCS
(O)		40PCS
(P)	 M5x12mm	158PCS
(Q)	 4.2x25mm	158PCS
(R)	 5.5x19mm	20PCS

REF	PICTURE	QTY
(S)		82PCS
(T1)		4PCS
(U1)	 M8x45mm	4PCS
(V)		2PCS
(W)		24PCS
(X)		1PC
(Y)		2PCS

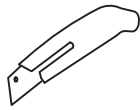
Warning

In snow season or in case of snow forecast open up your shutters in vertical position to avoid any damaging on your pergola.

What you need?



Glove



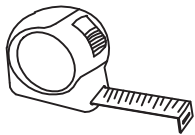
Knife



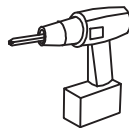
Hammer



Safety hat



Tapeline

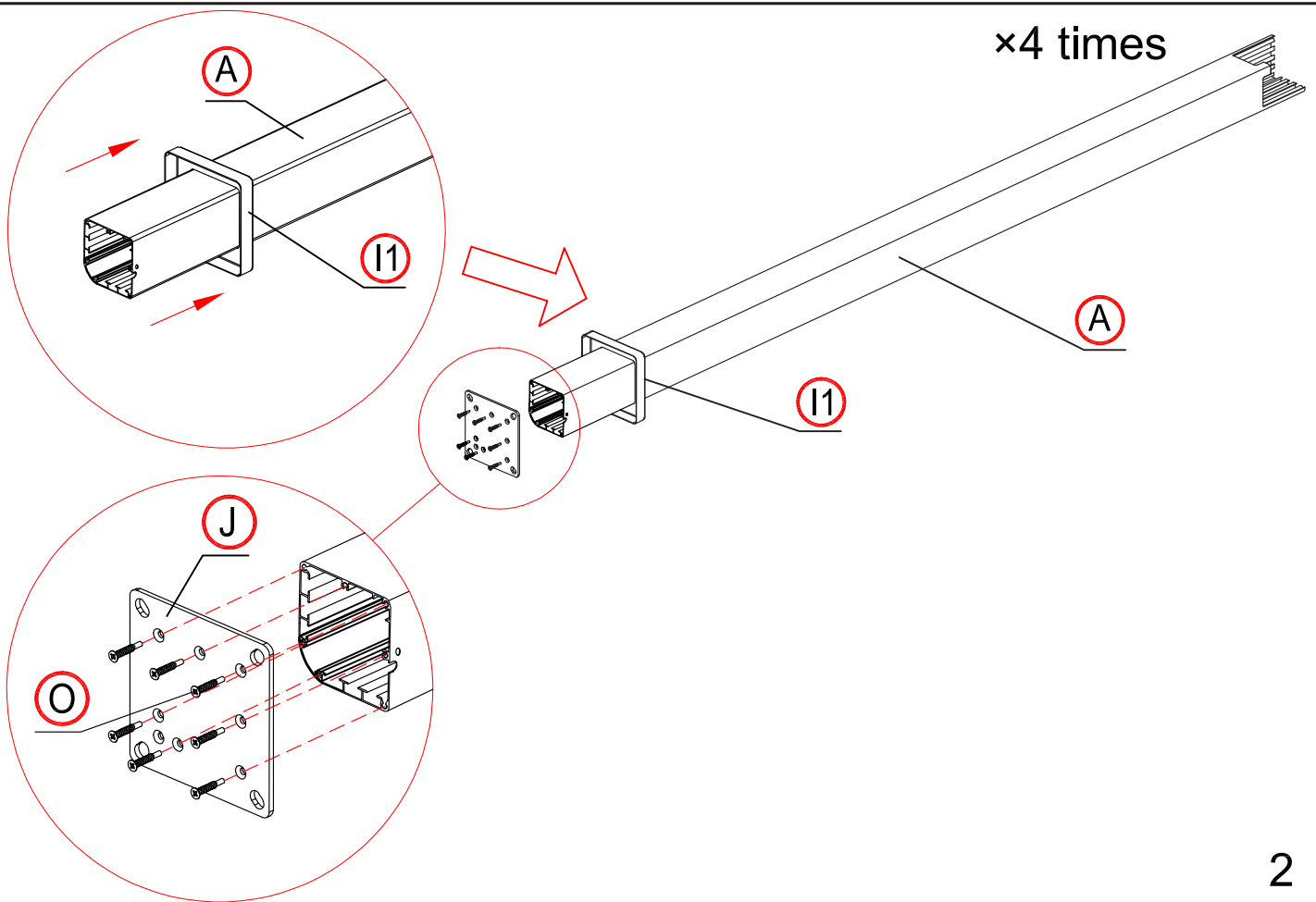


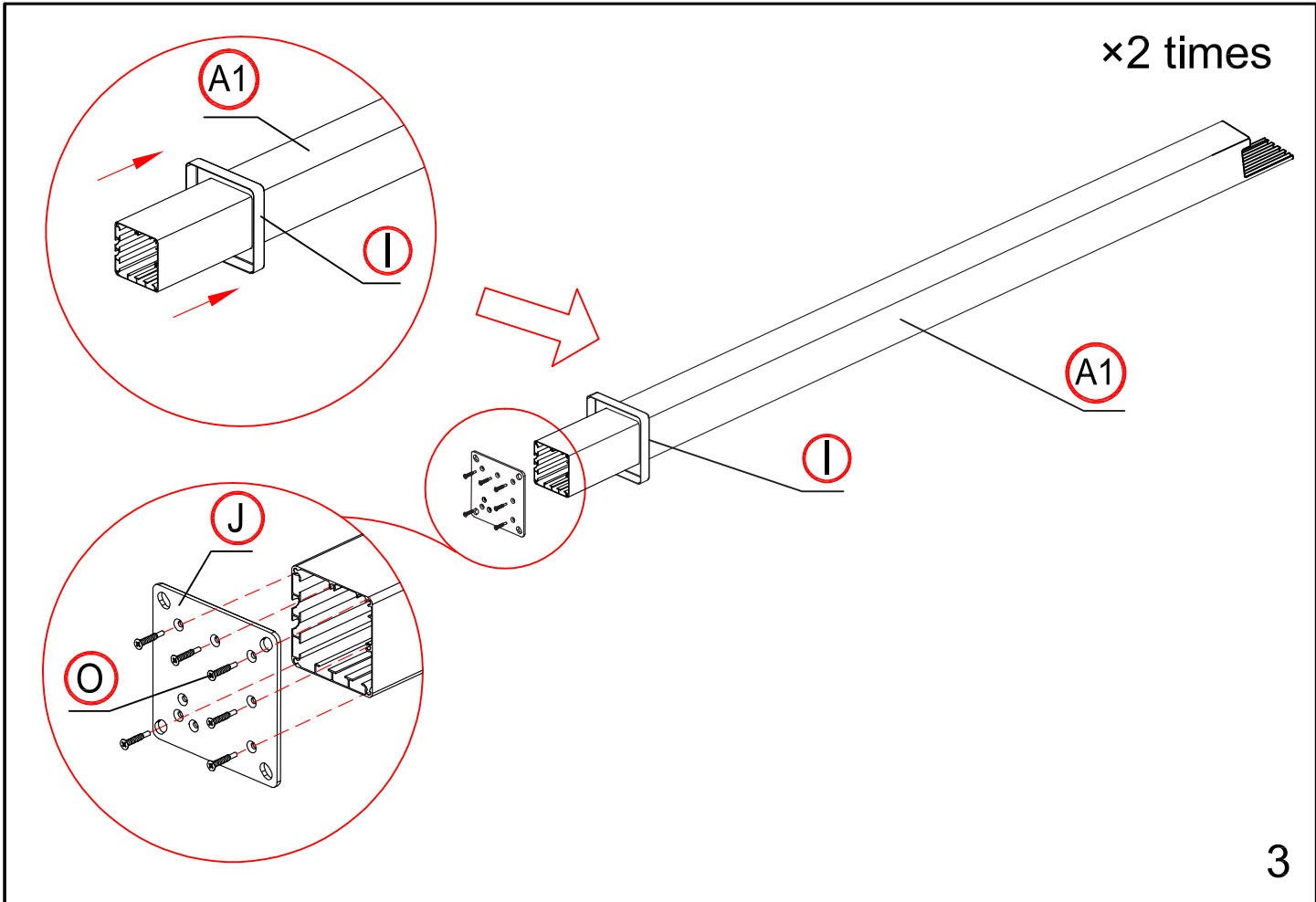
Electric screw driver



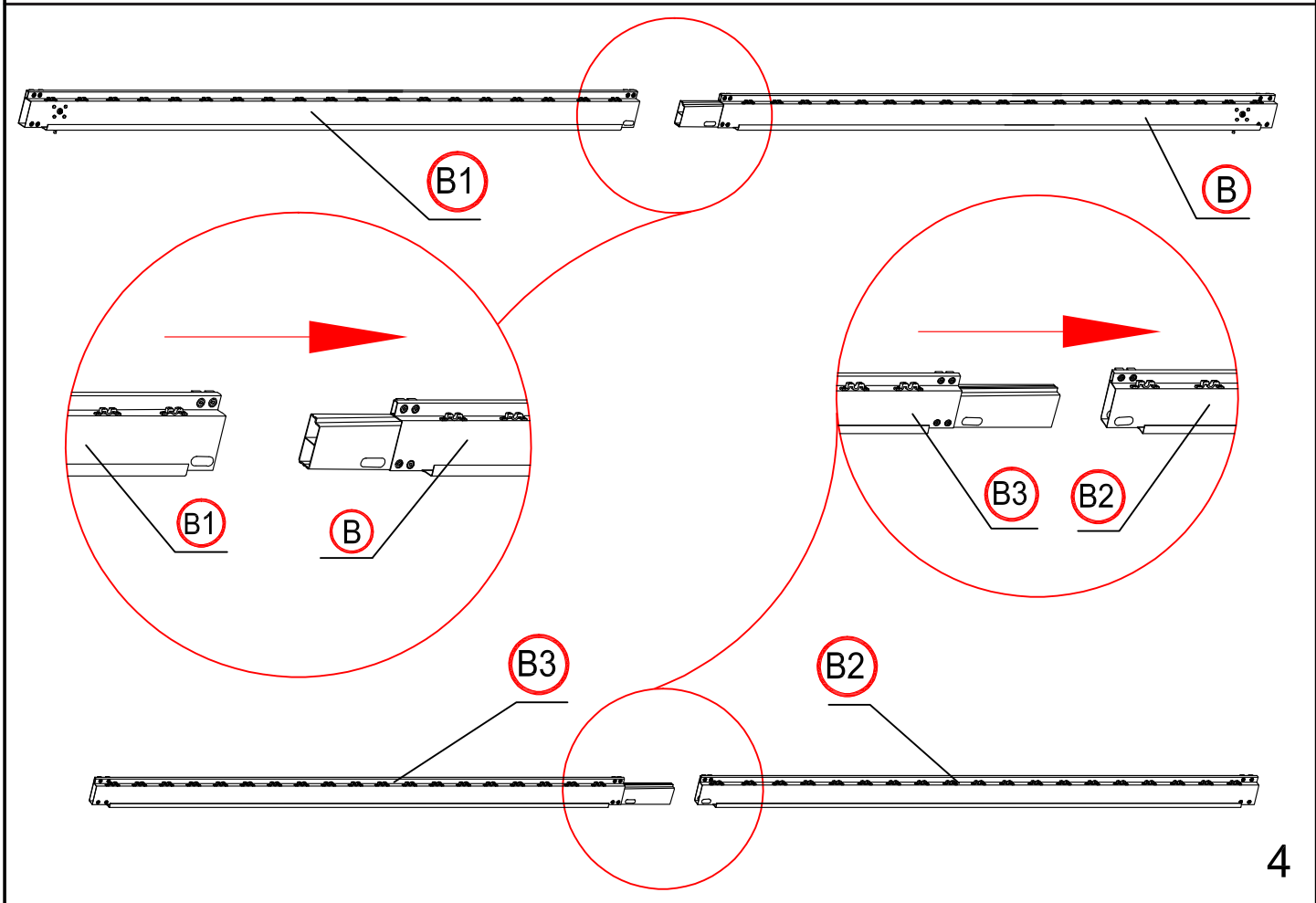
Ladder

1



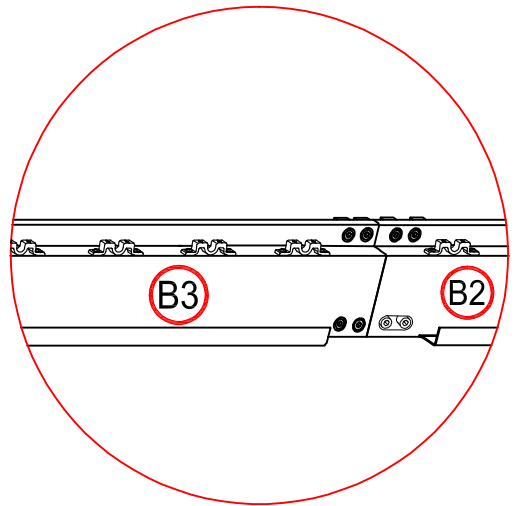
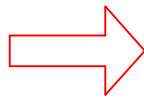
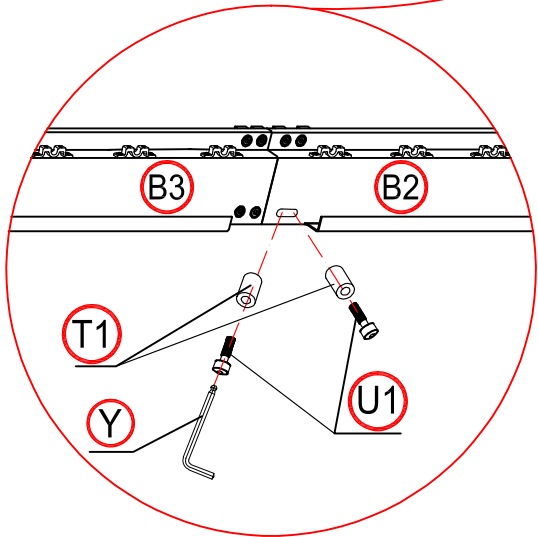
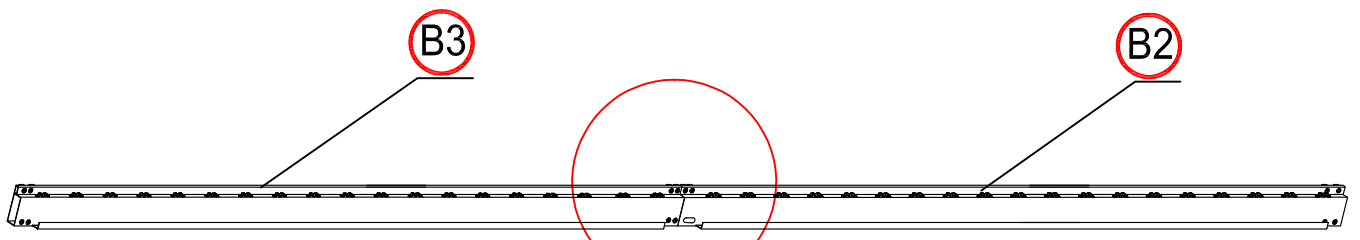
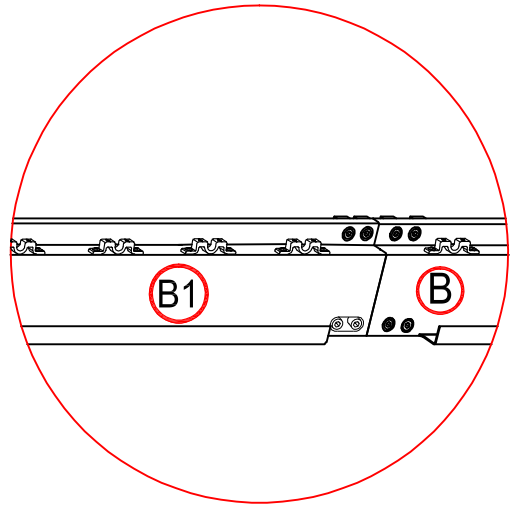
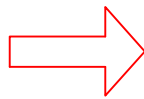
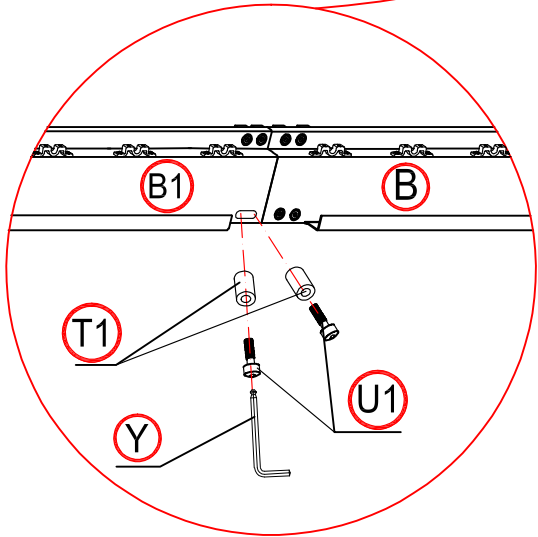
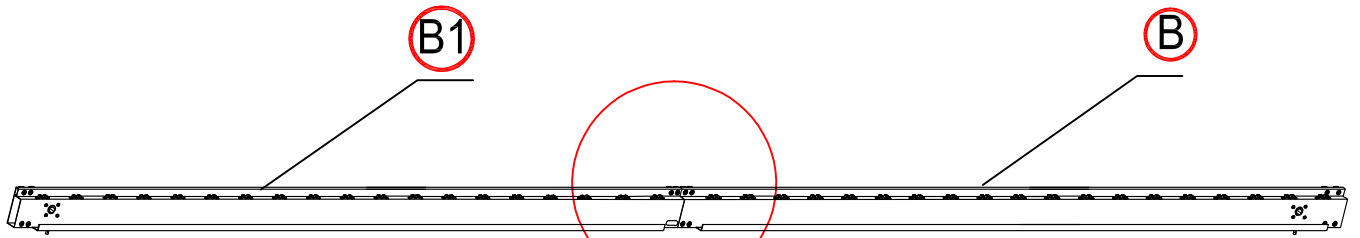


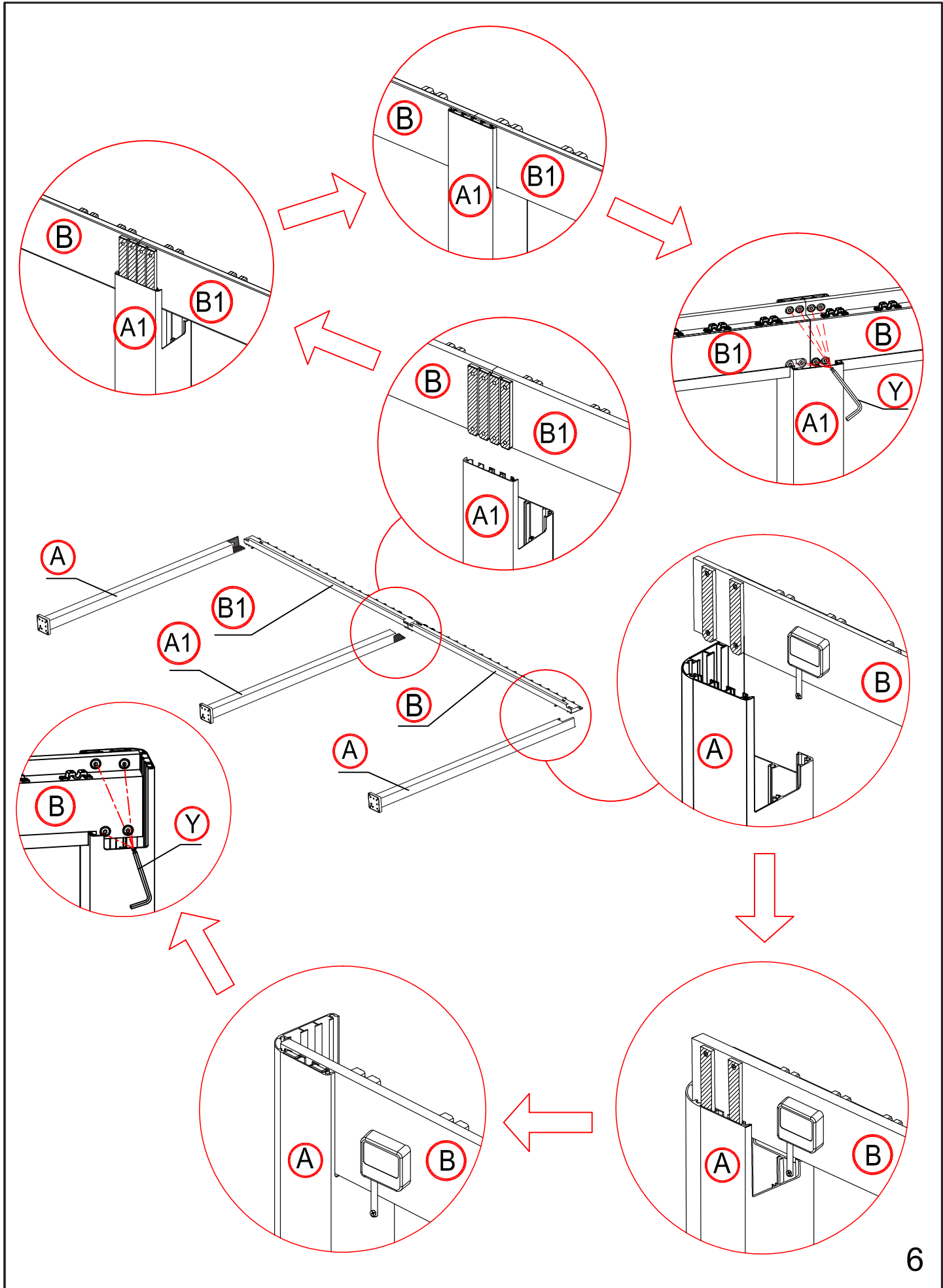
3

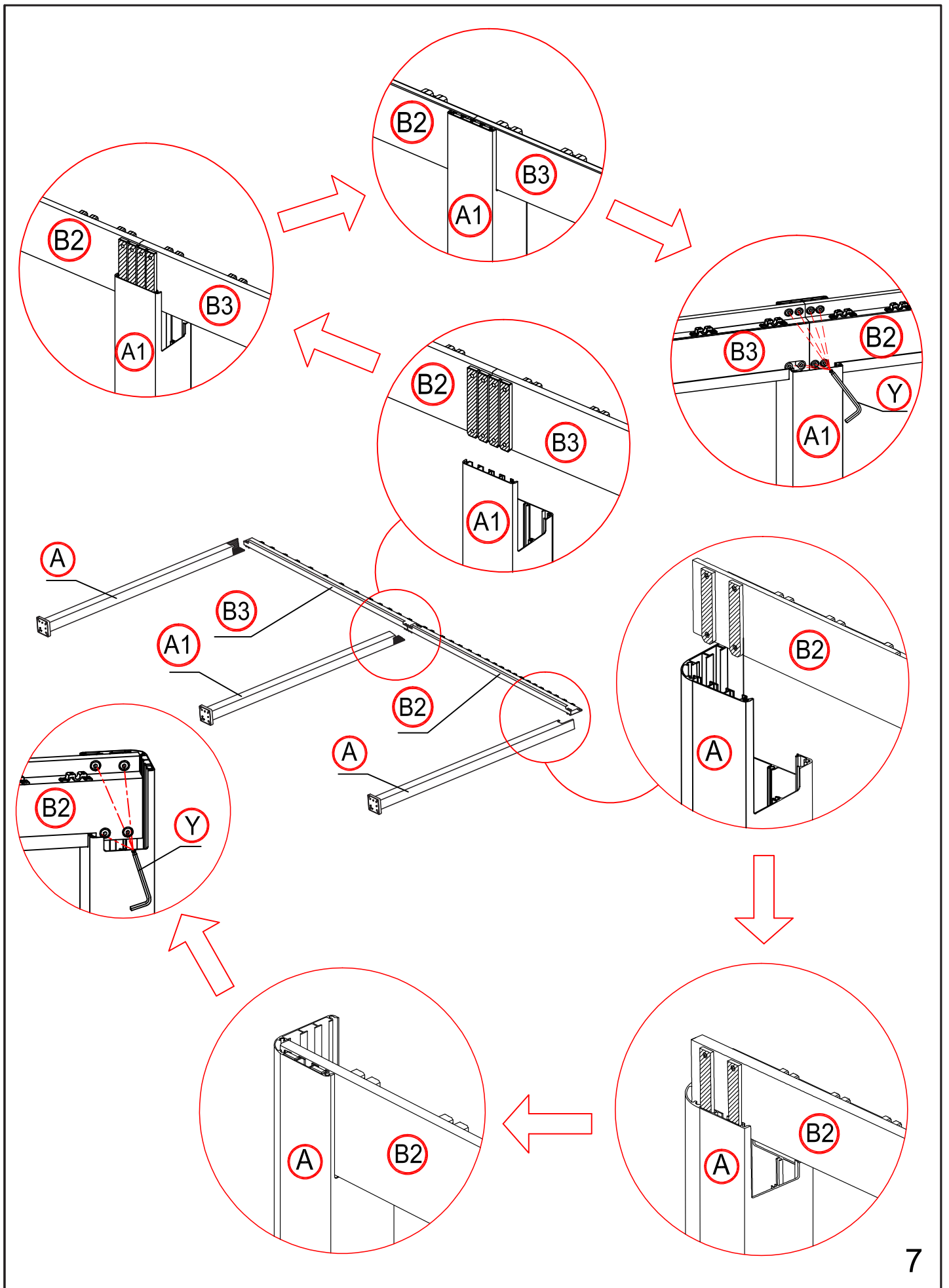


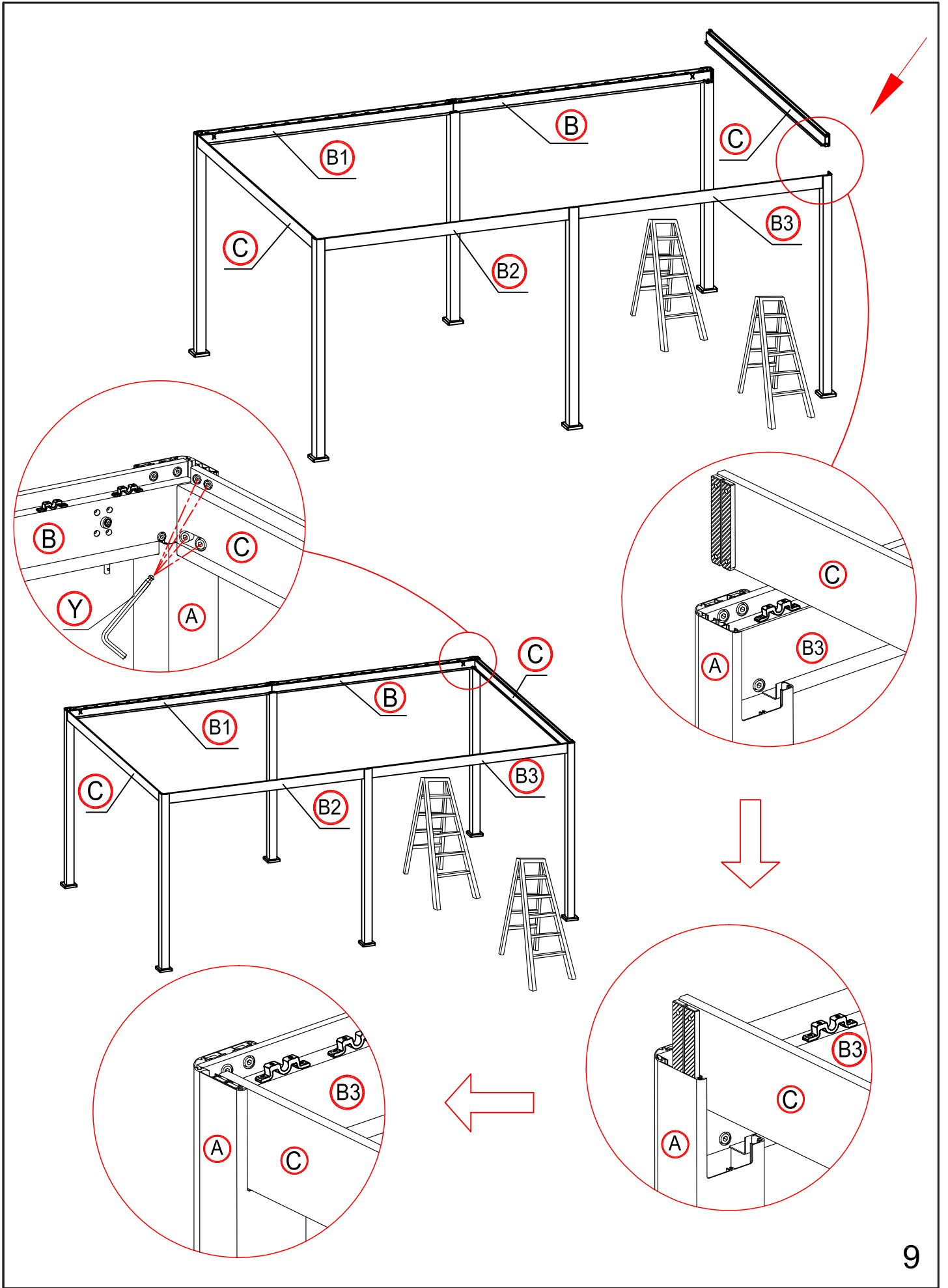
4

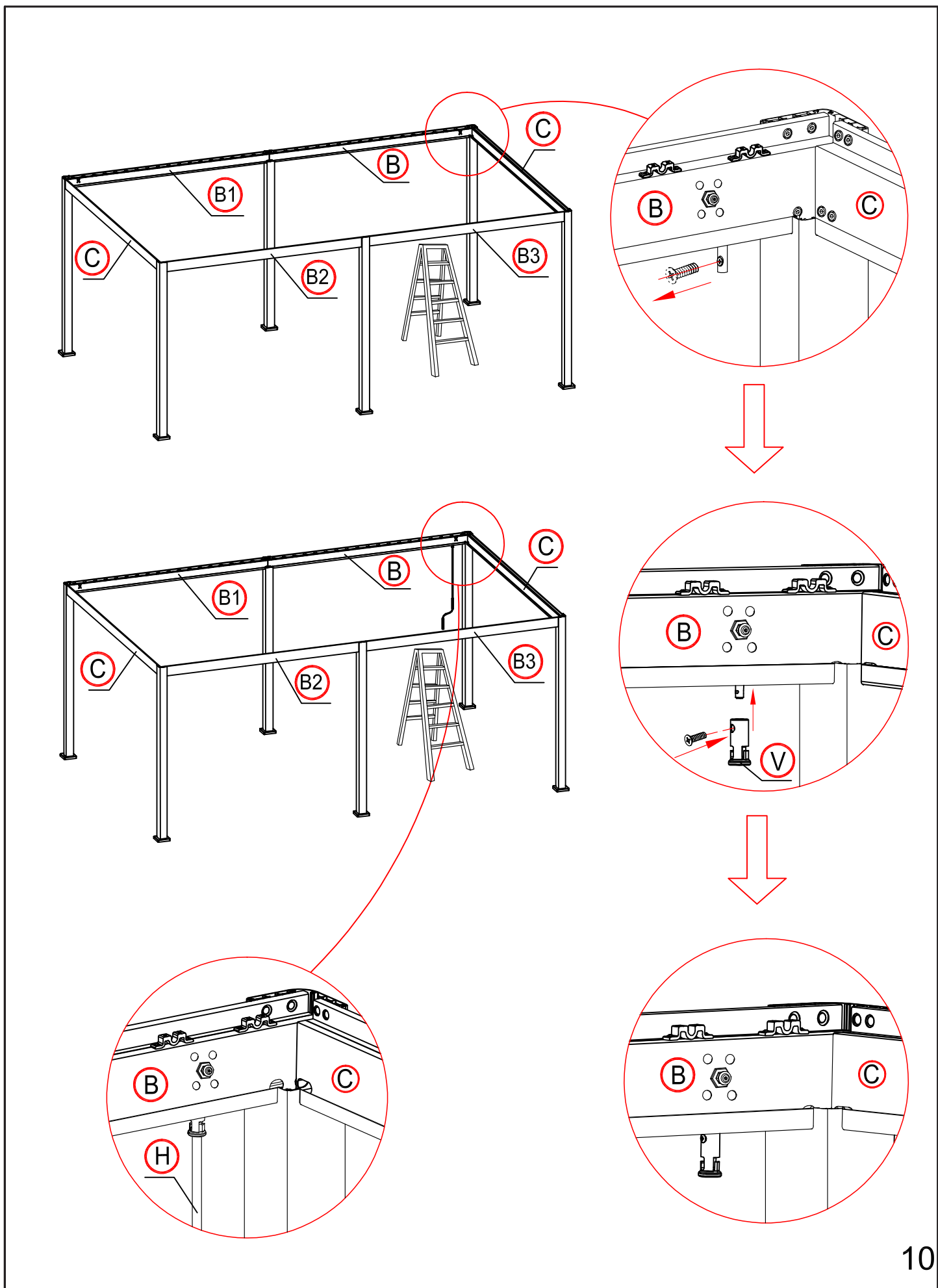
5



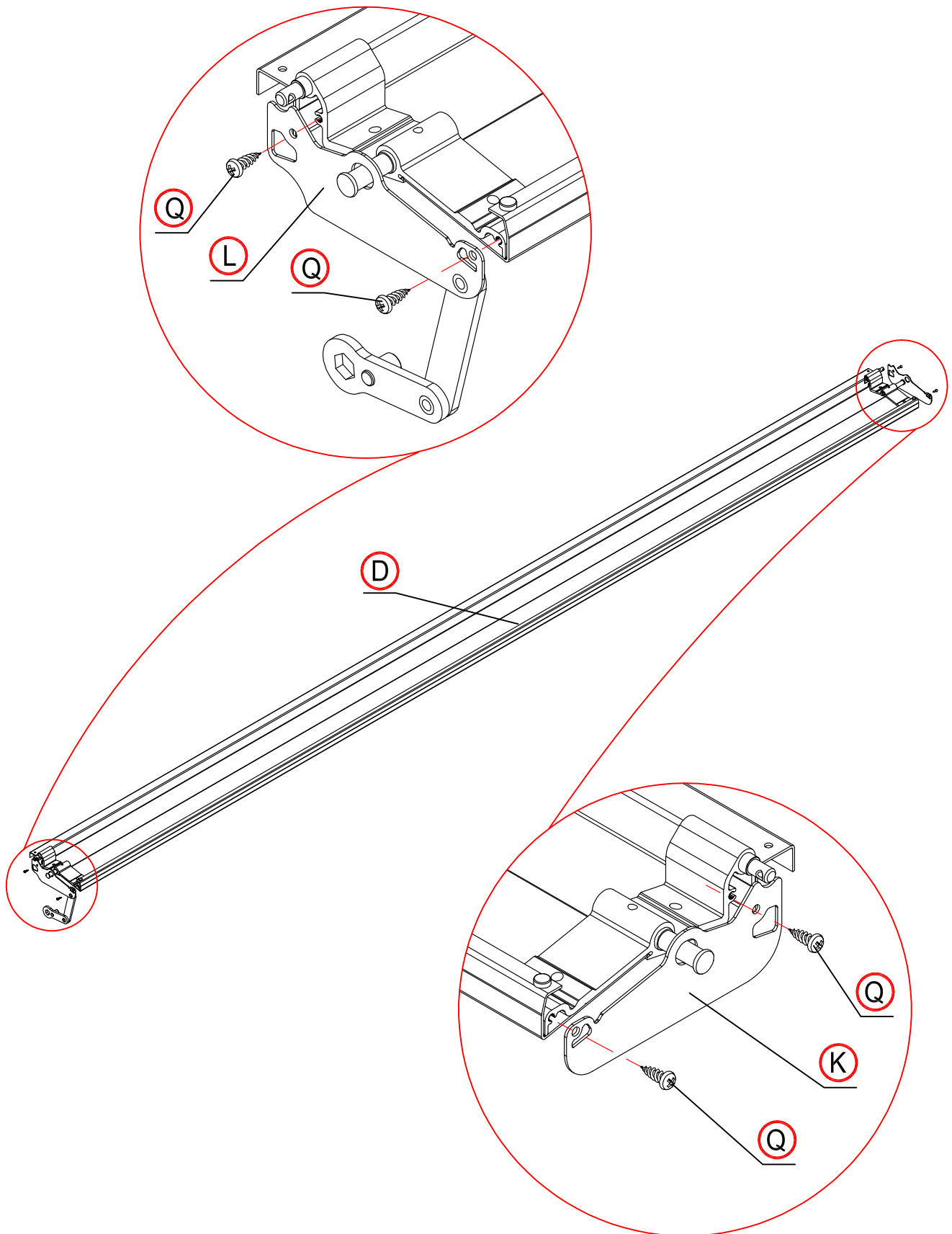




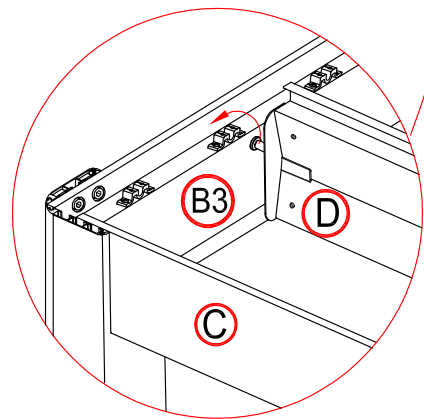
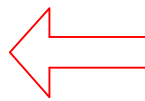
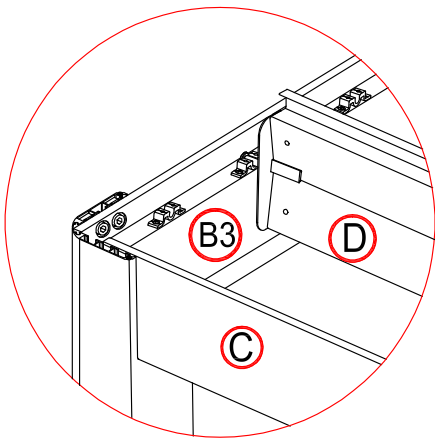
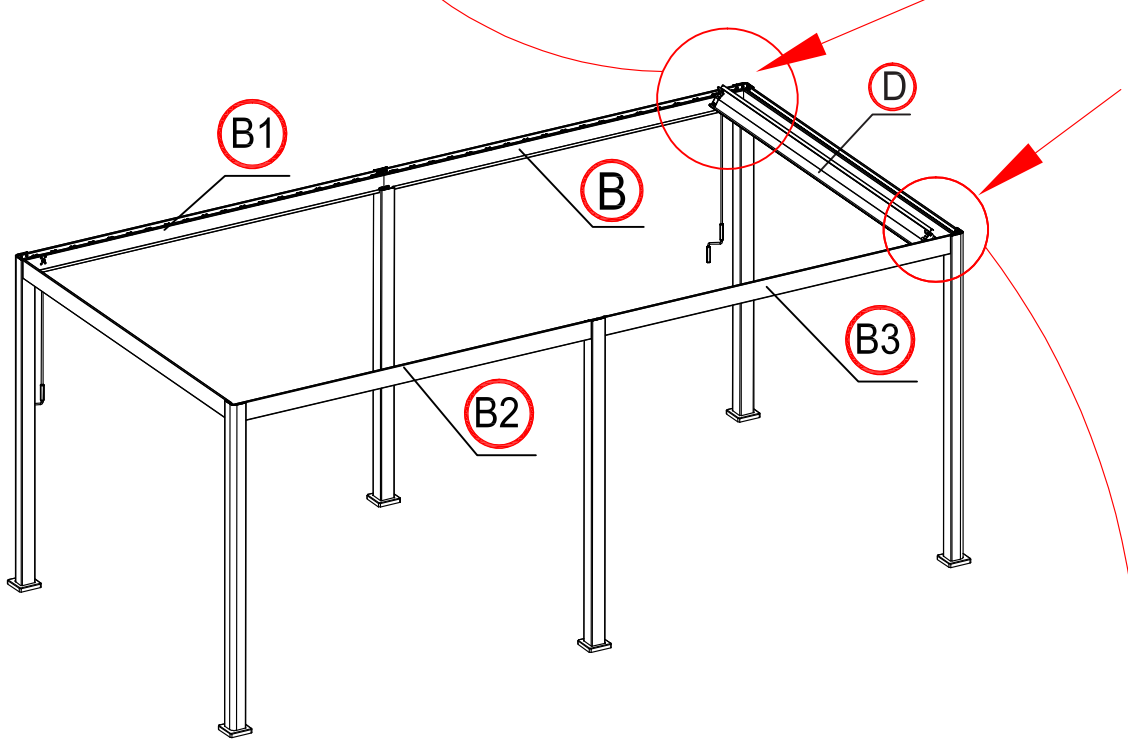
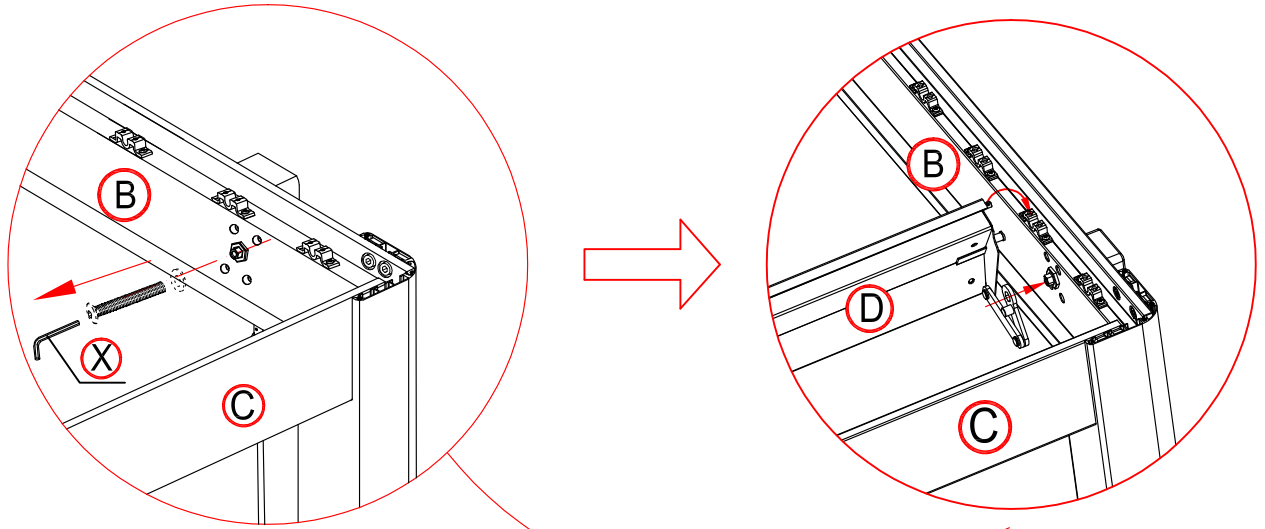


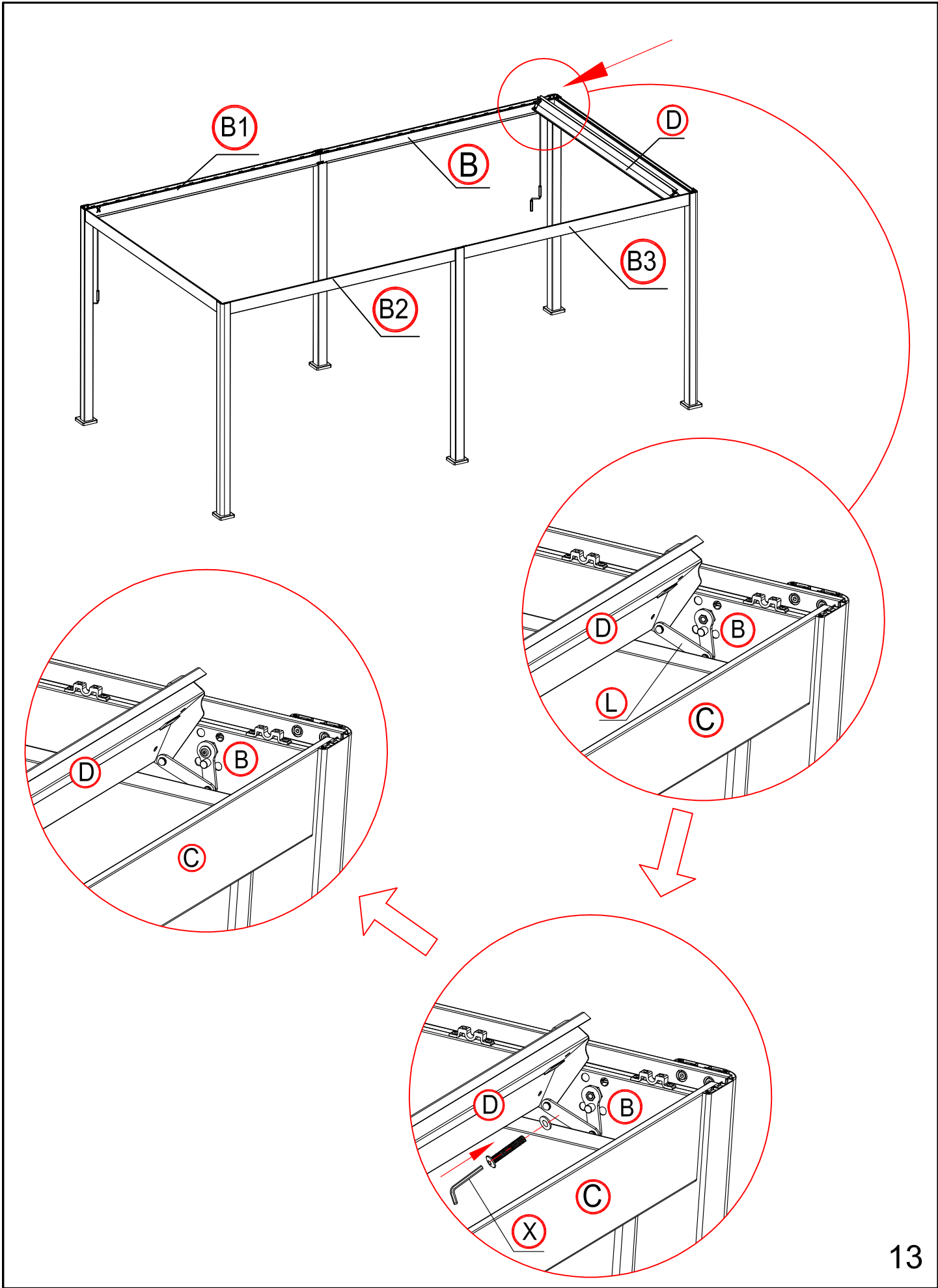


×2 time

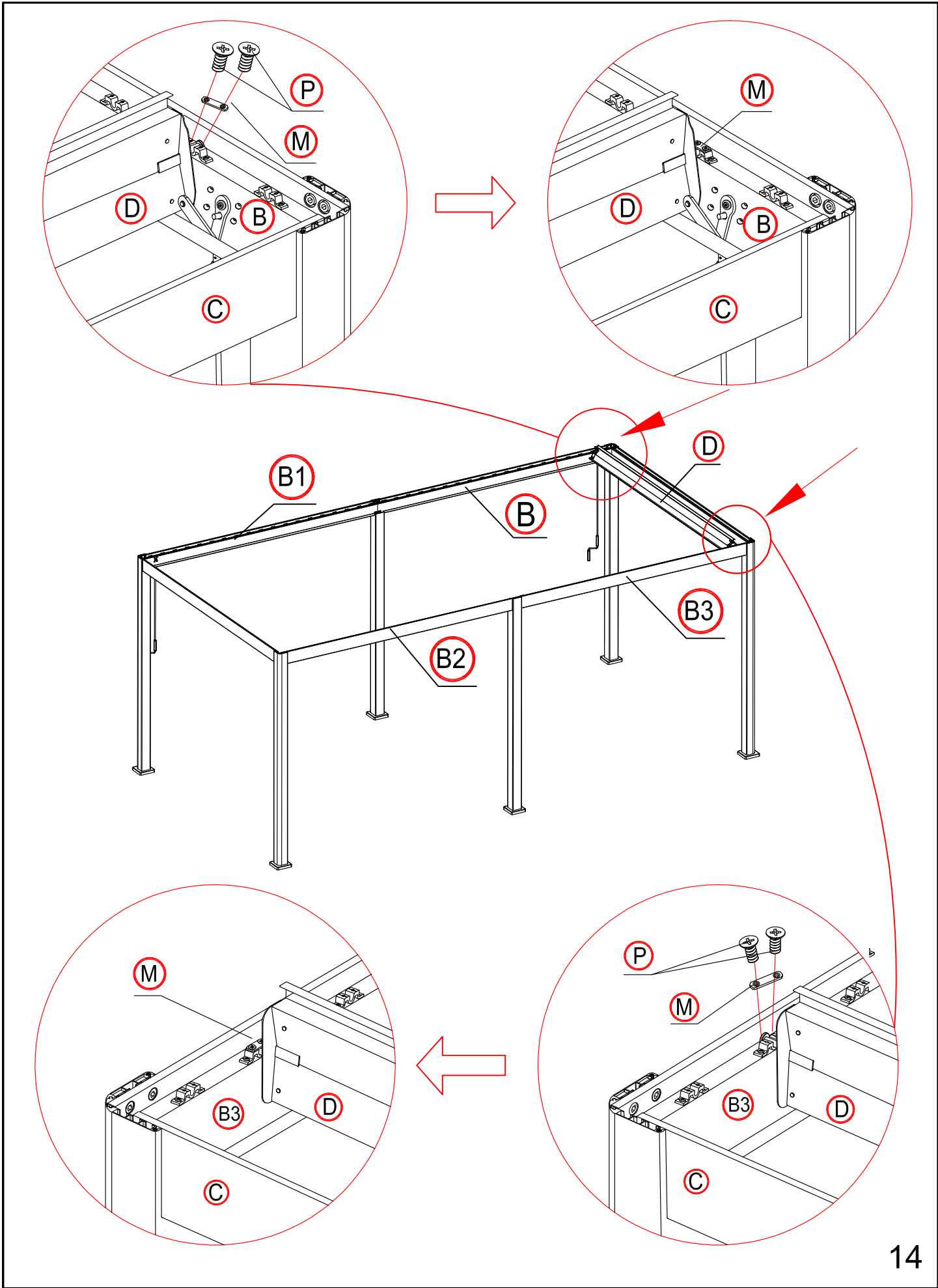


Assemble the second slice to the right.

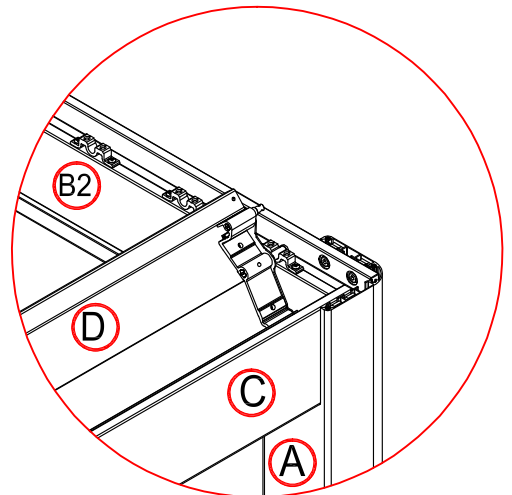
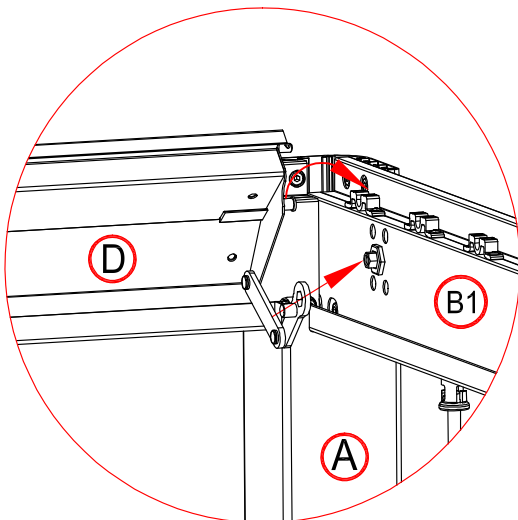
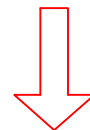
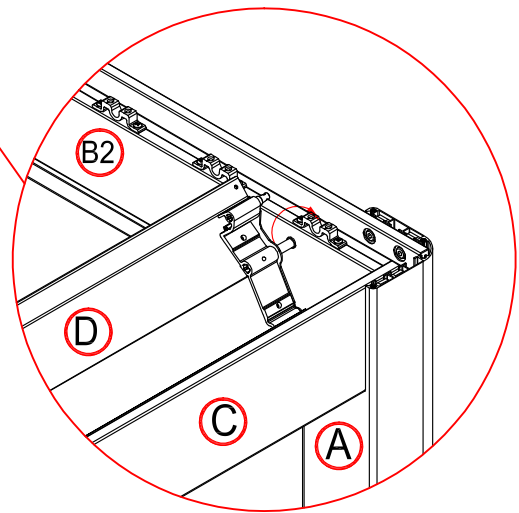
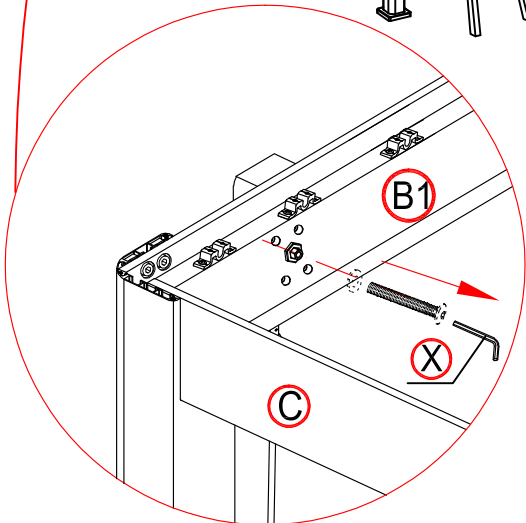
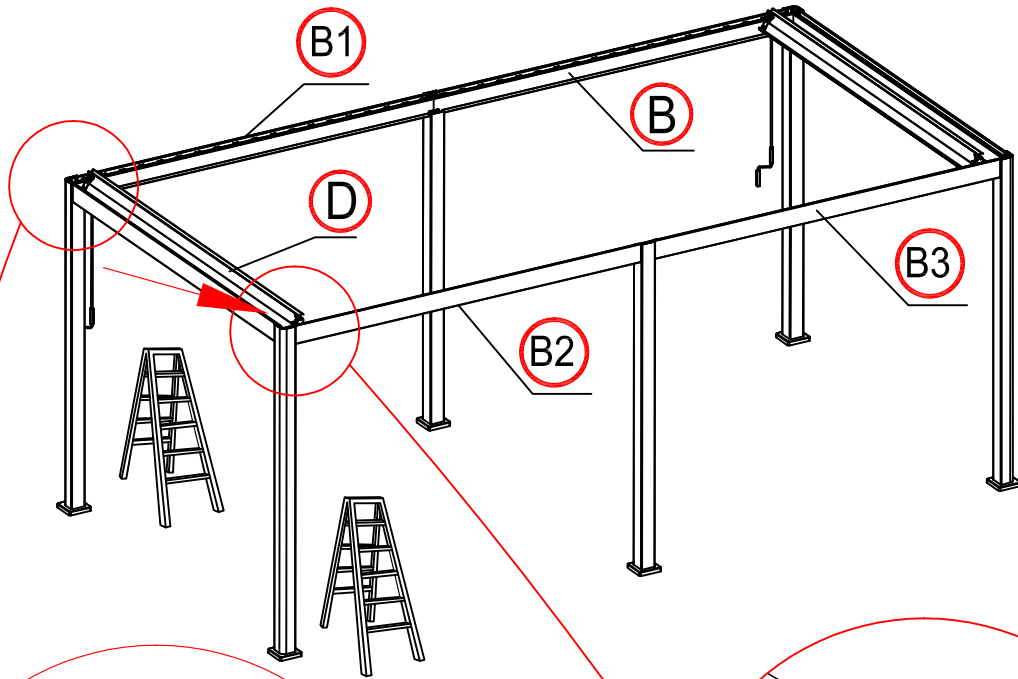


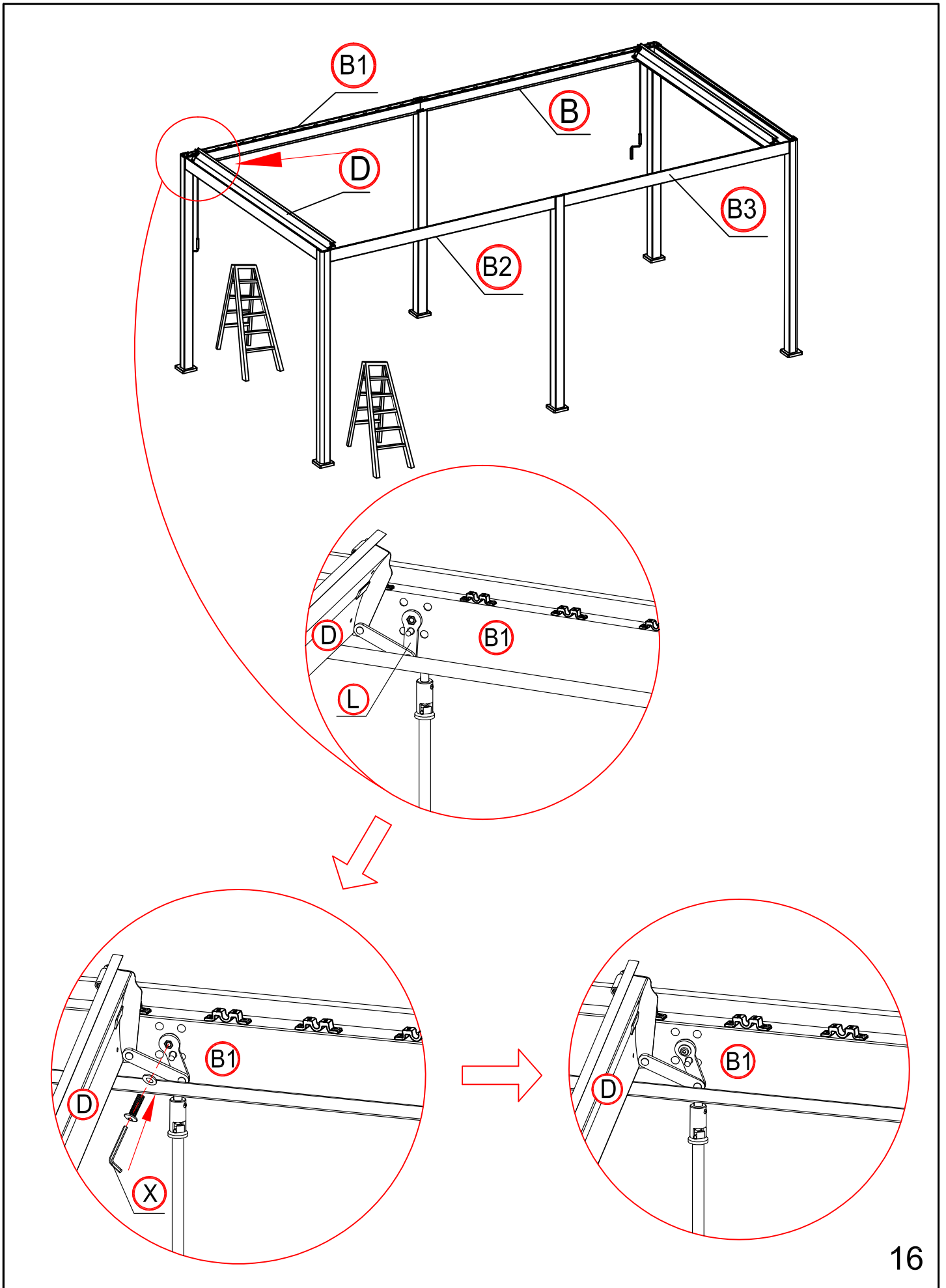


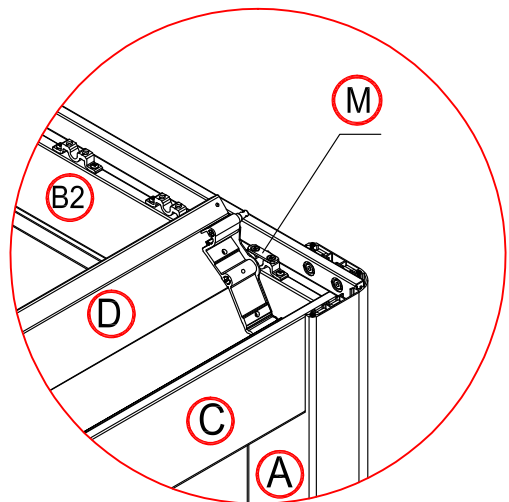
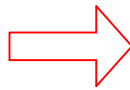
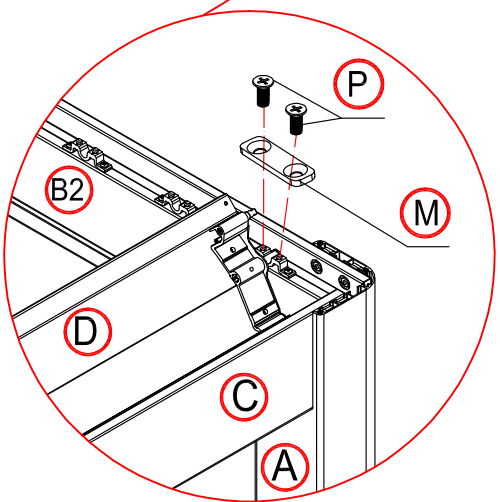
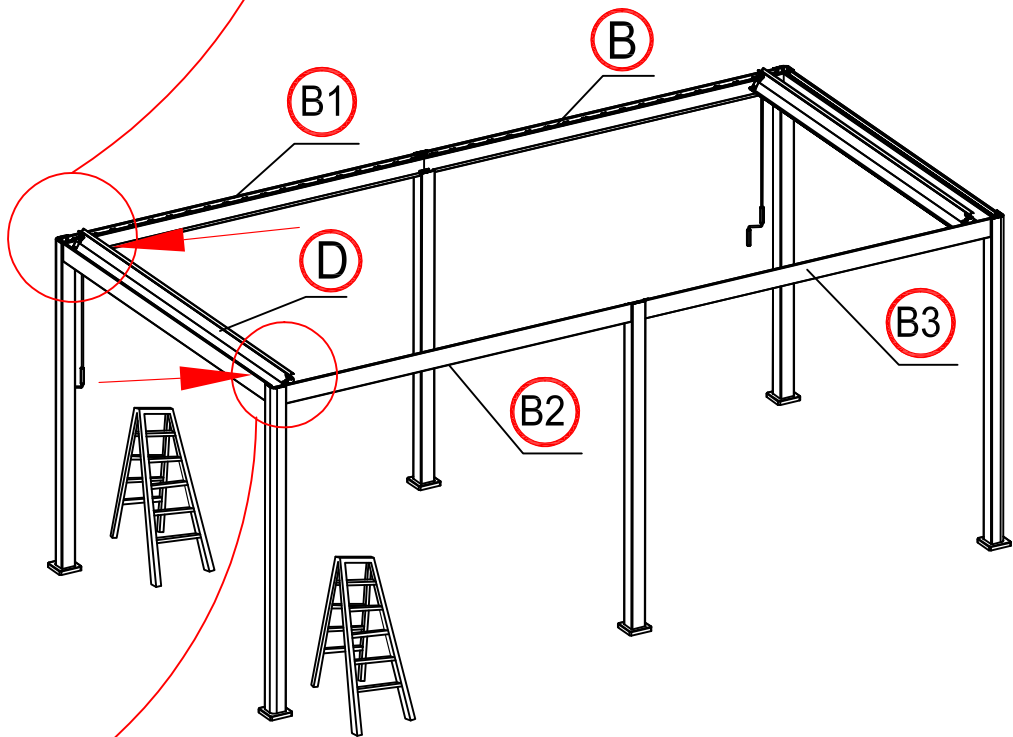
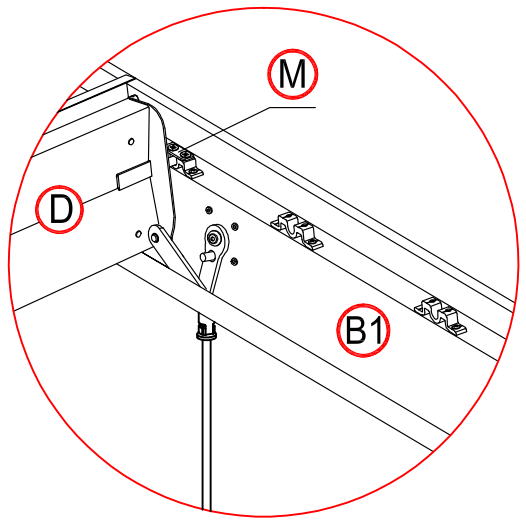
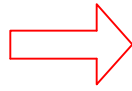
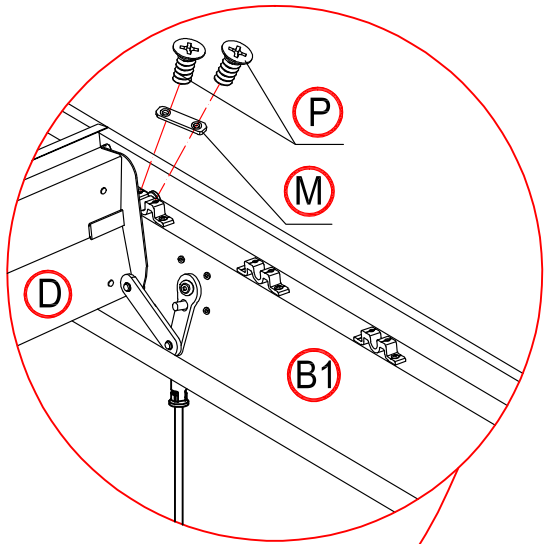
14



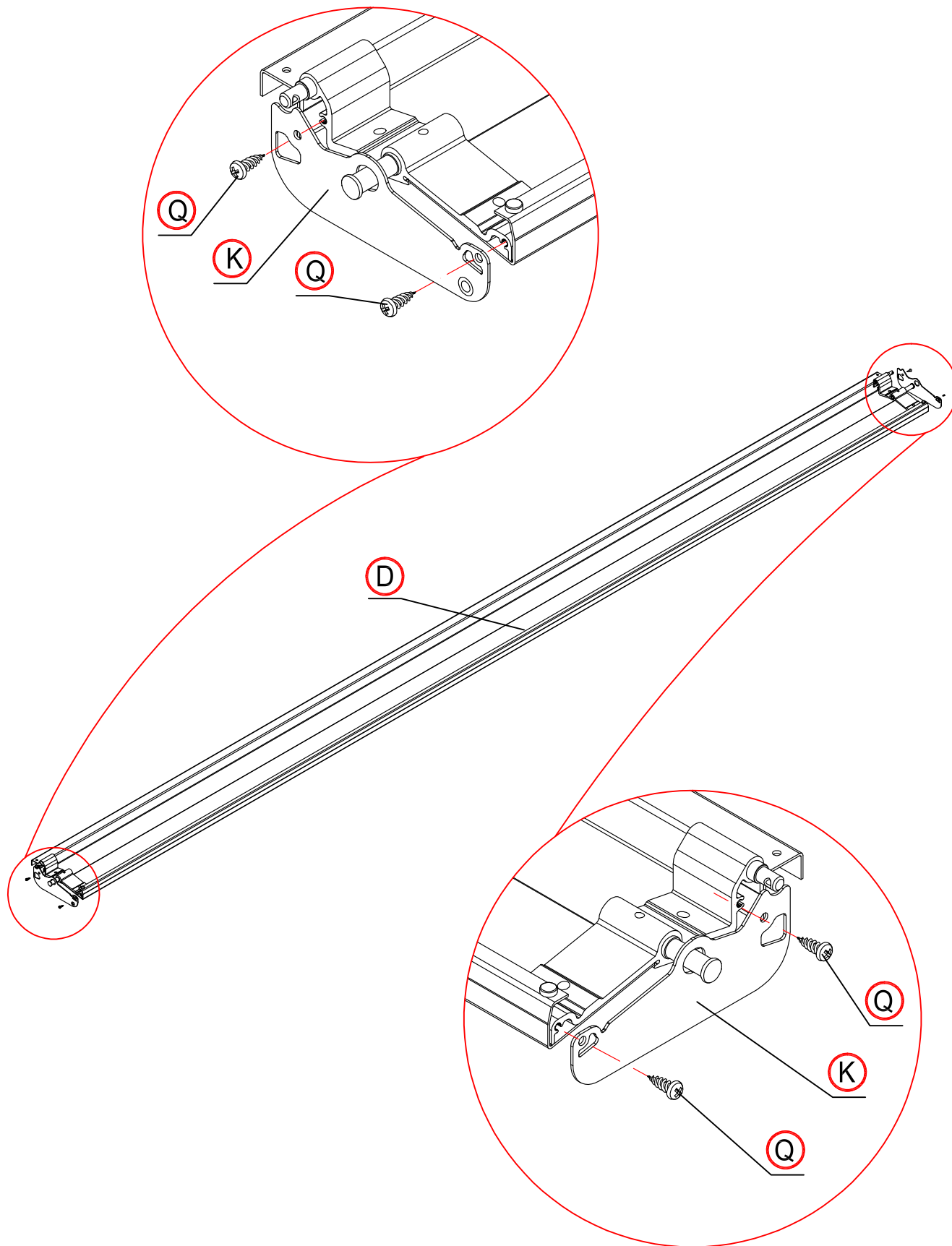
Assemble the first slice to the left.

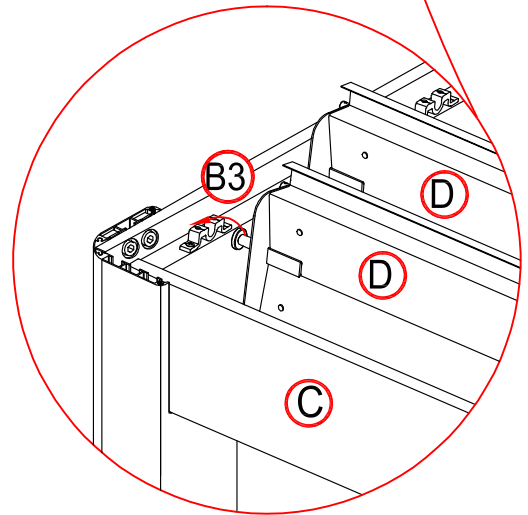
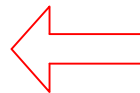
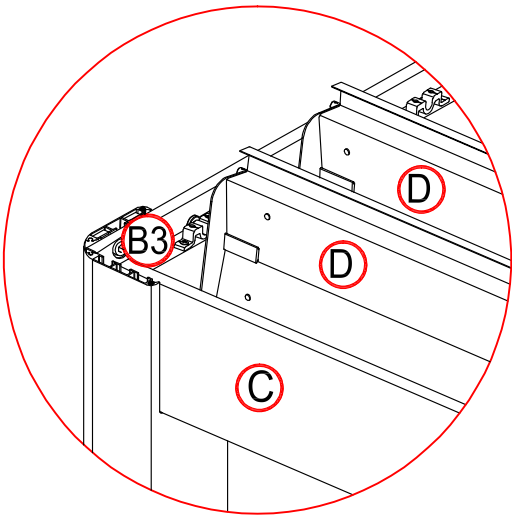
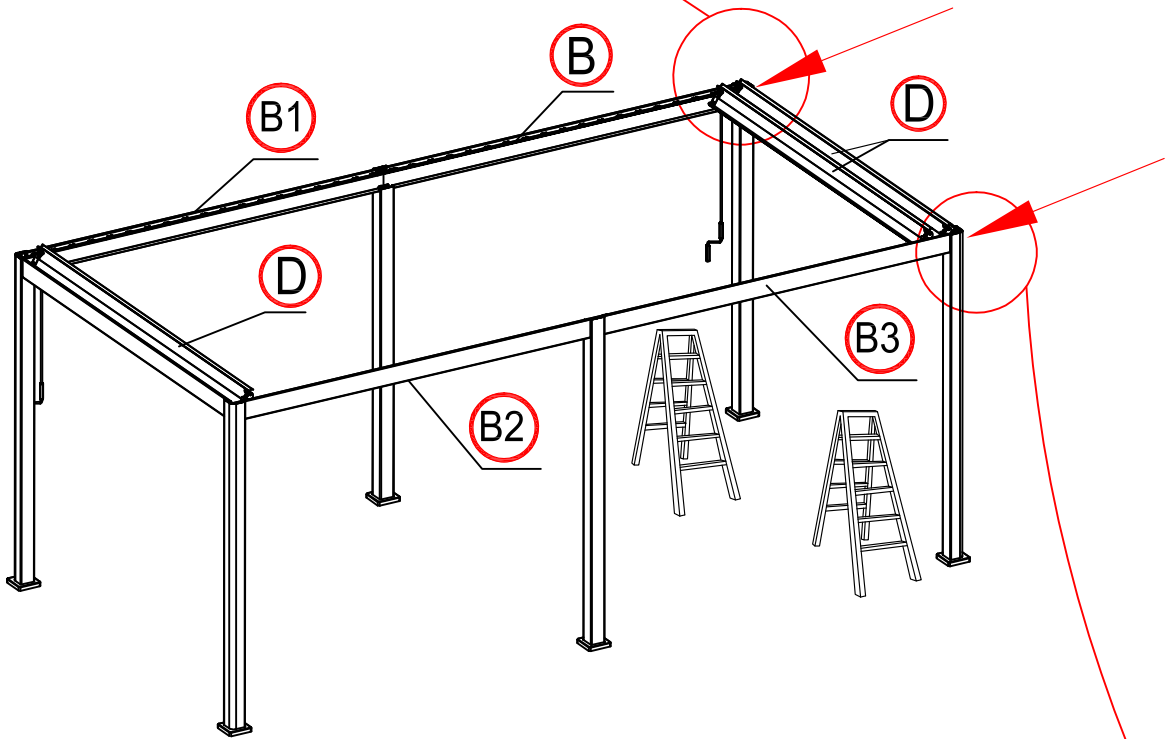
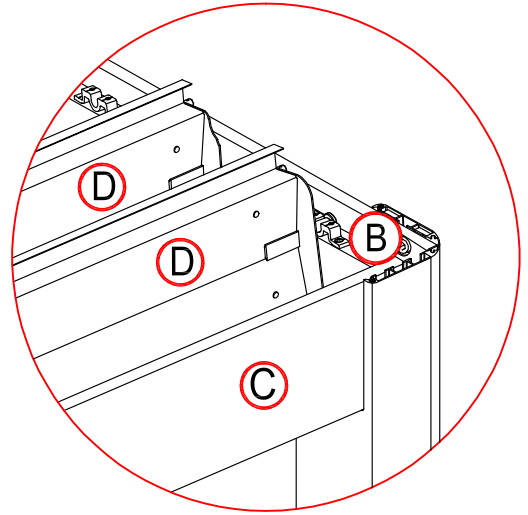
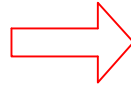
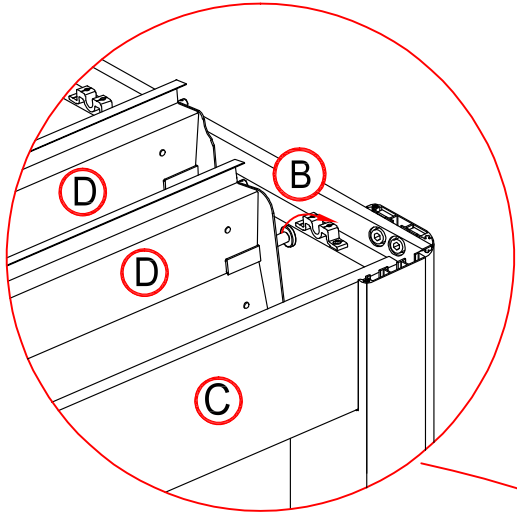


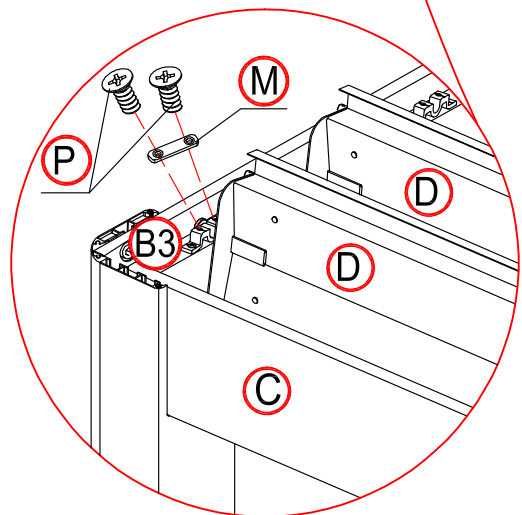
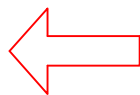
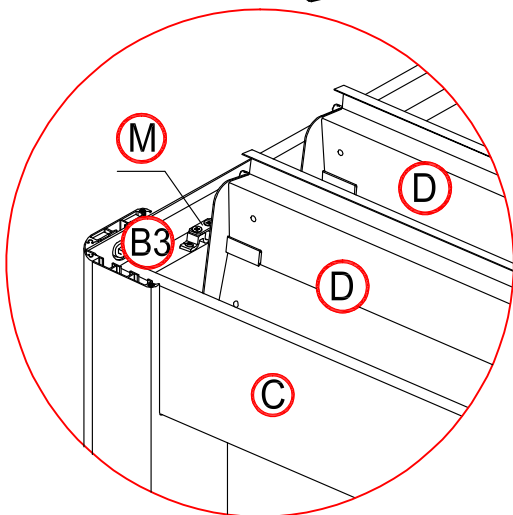
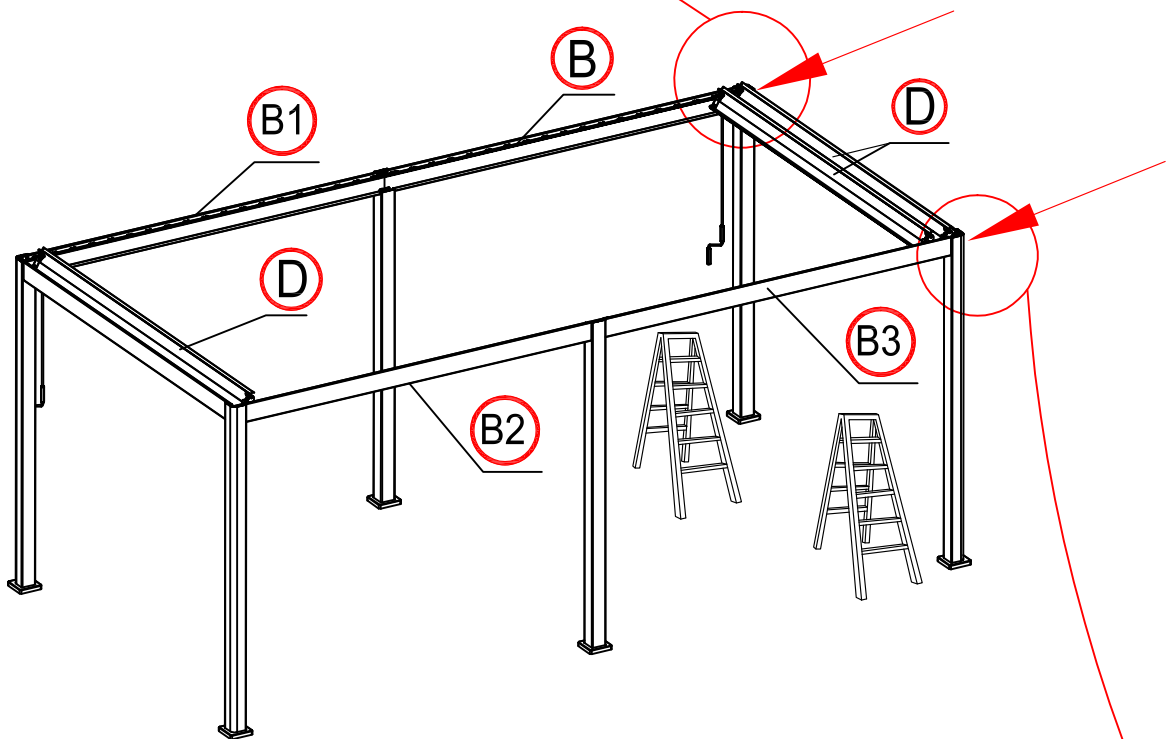
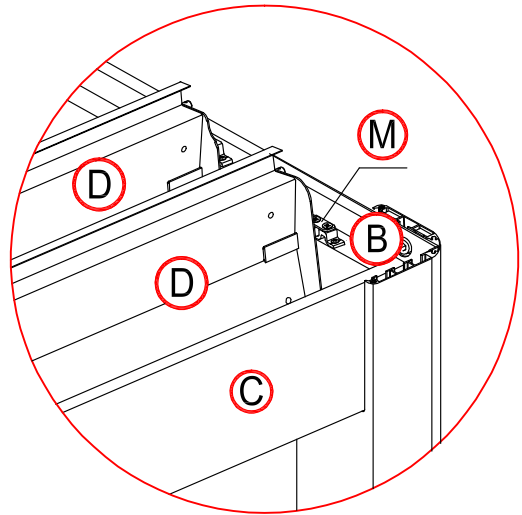
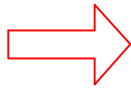
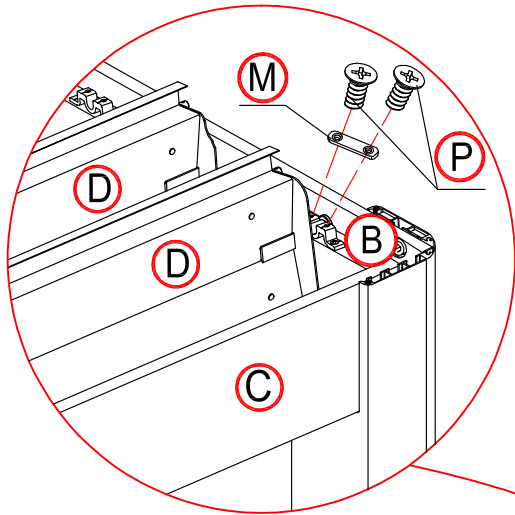




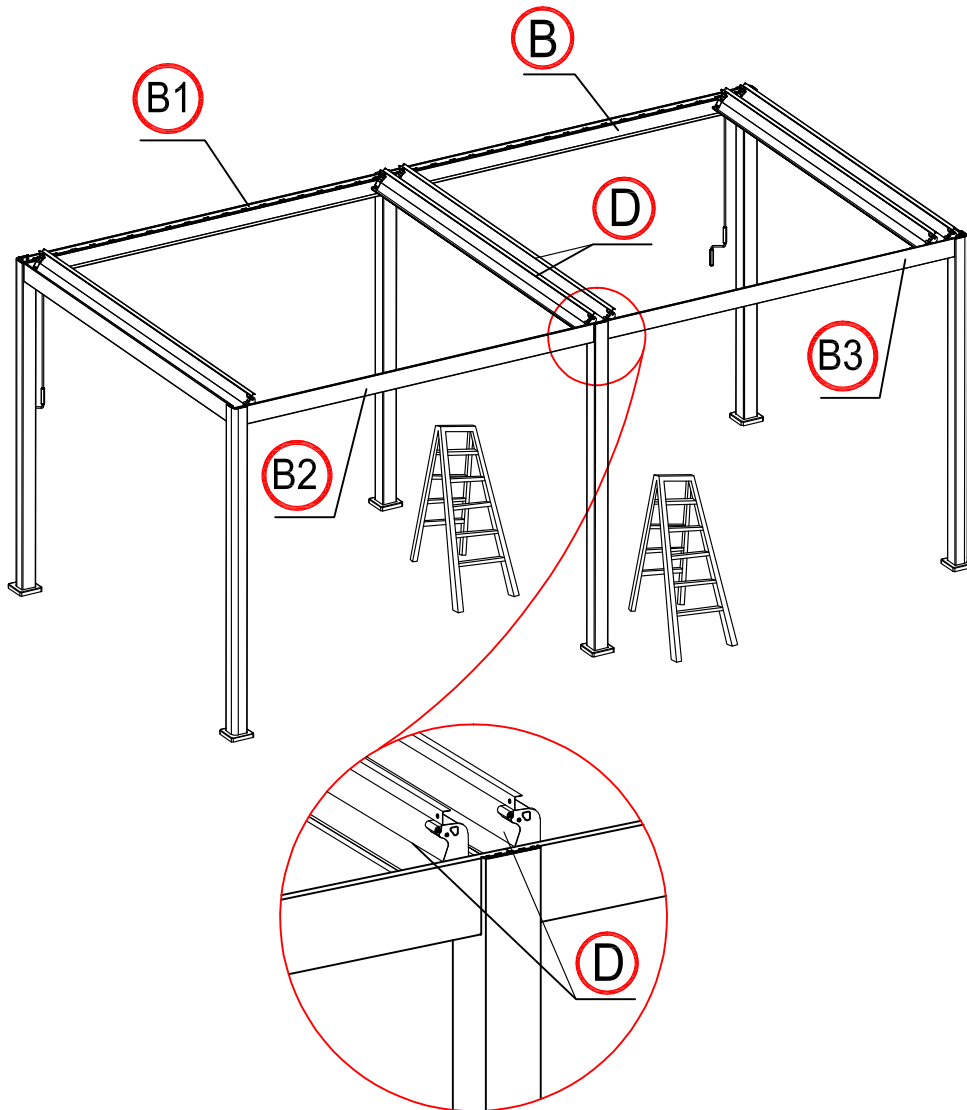
×36 times



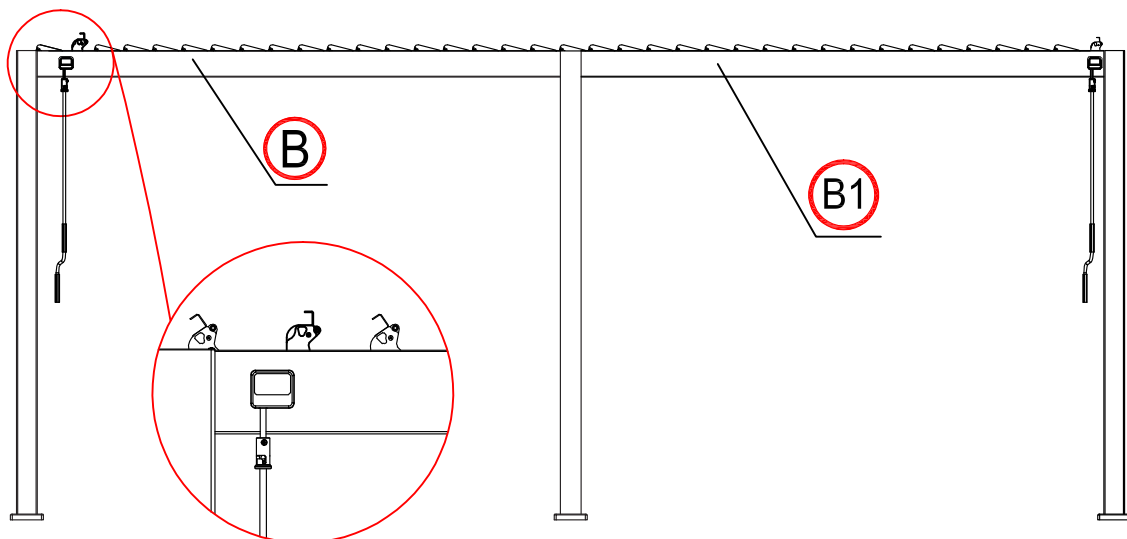


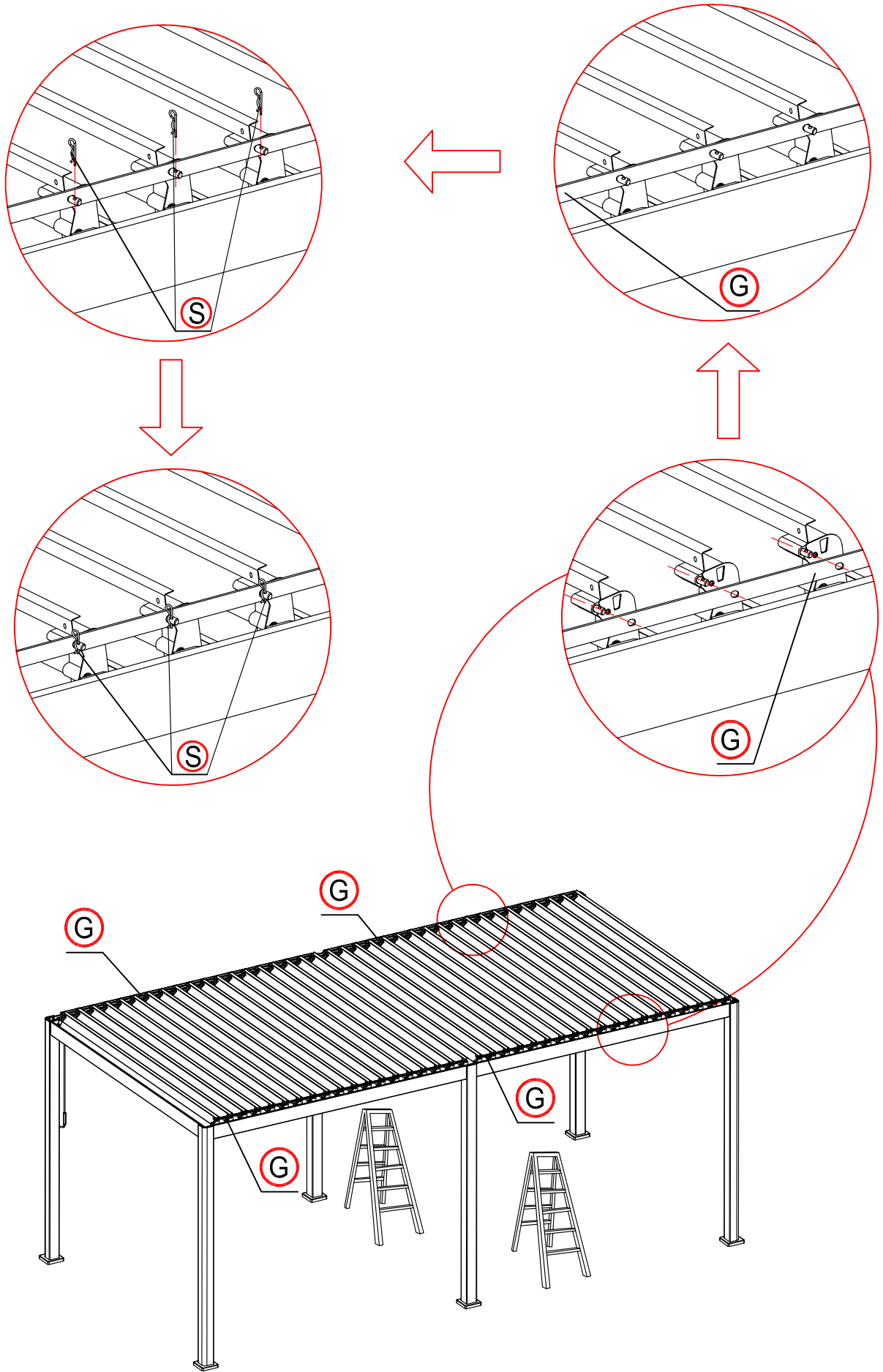


Please install the middle two shutter first.

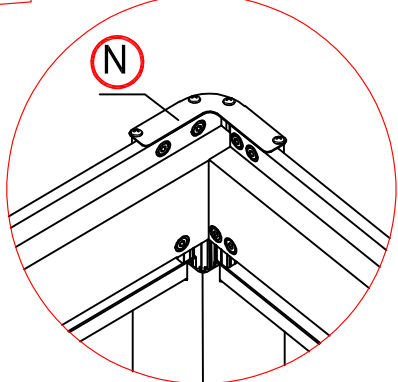
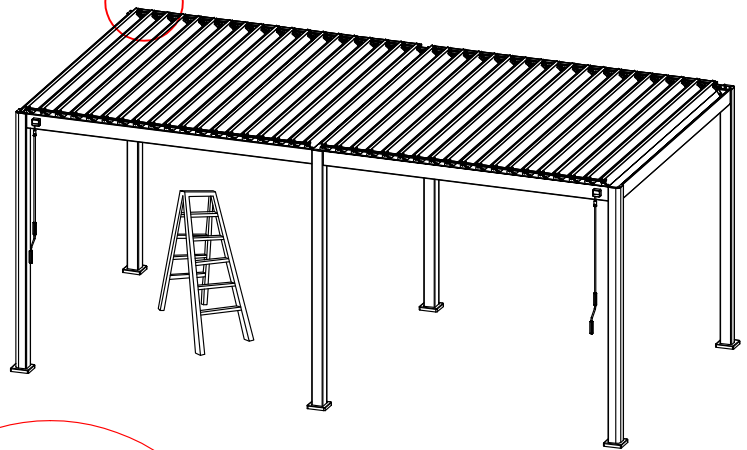
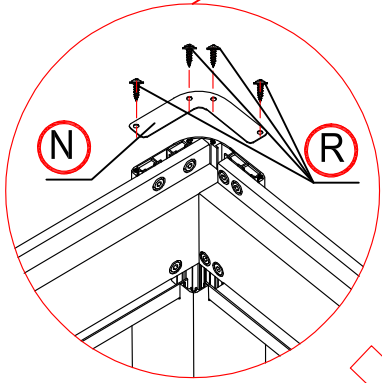


Make the shutter as vertical.

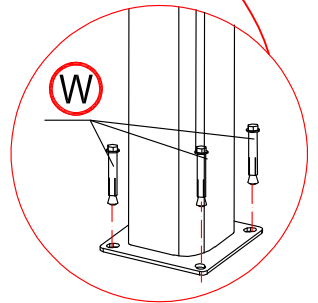
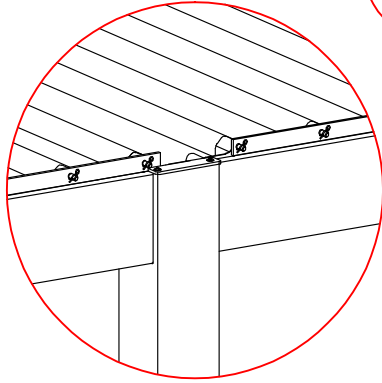
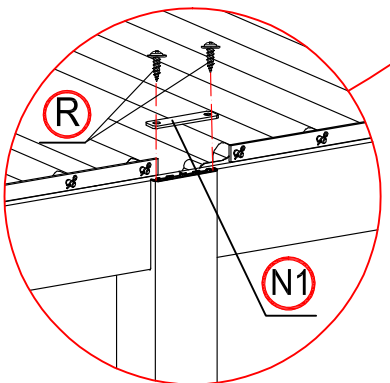
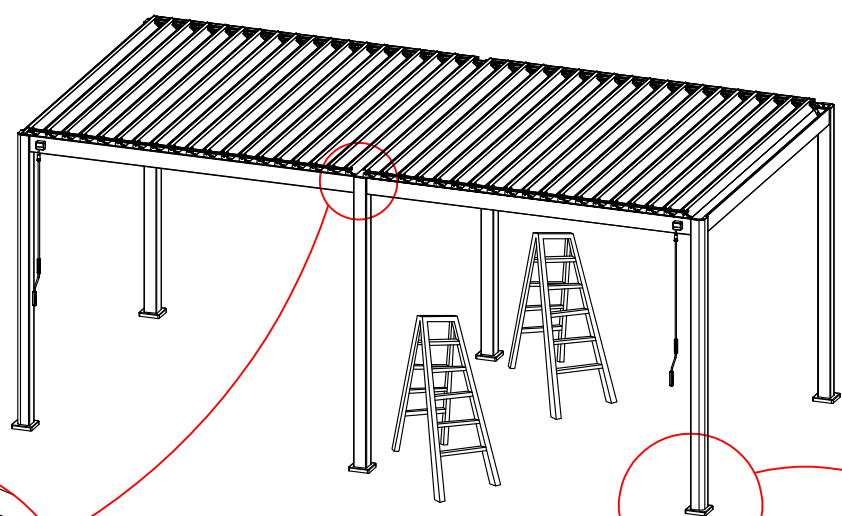




×4 times



23



24

24

